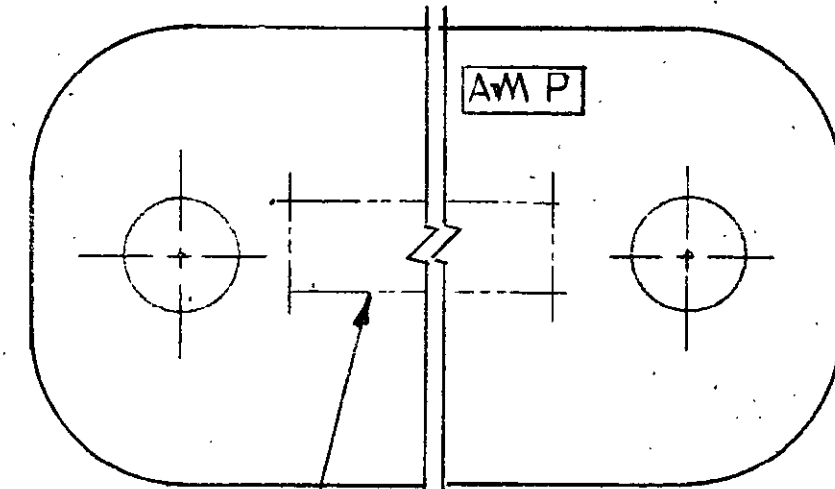
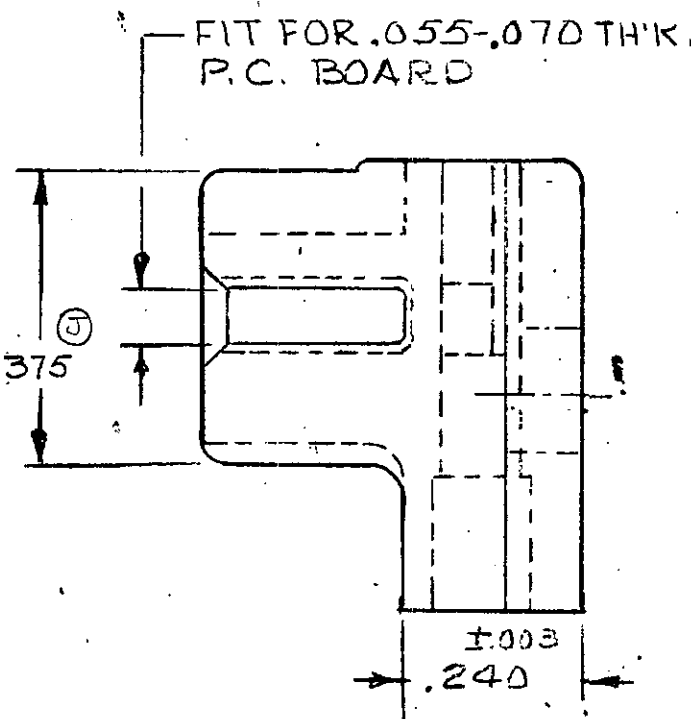
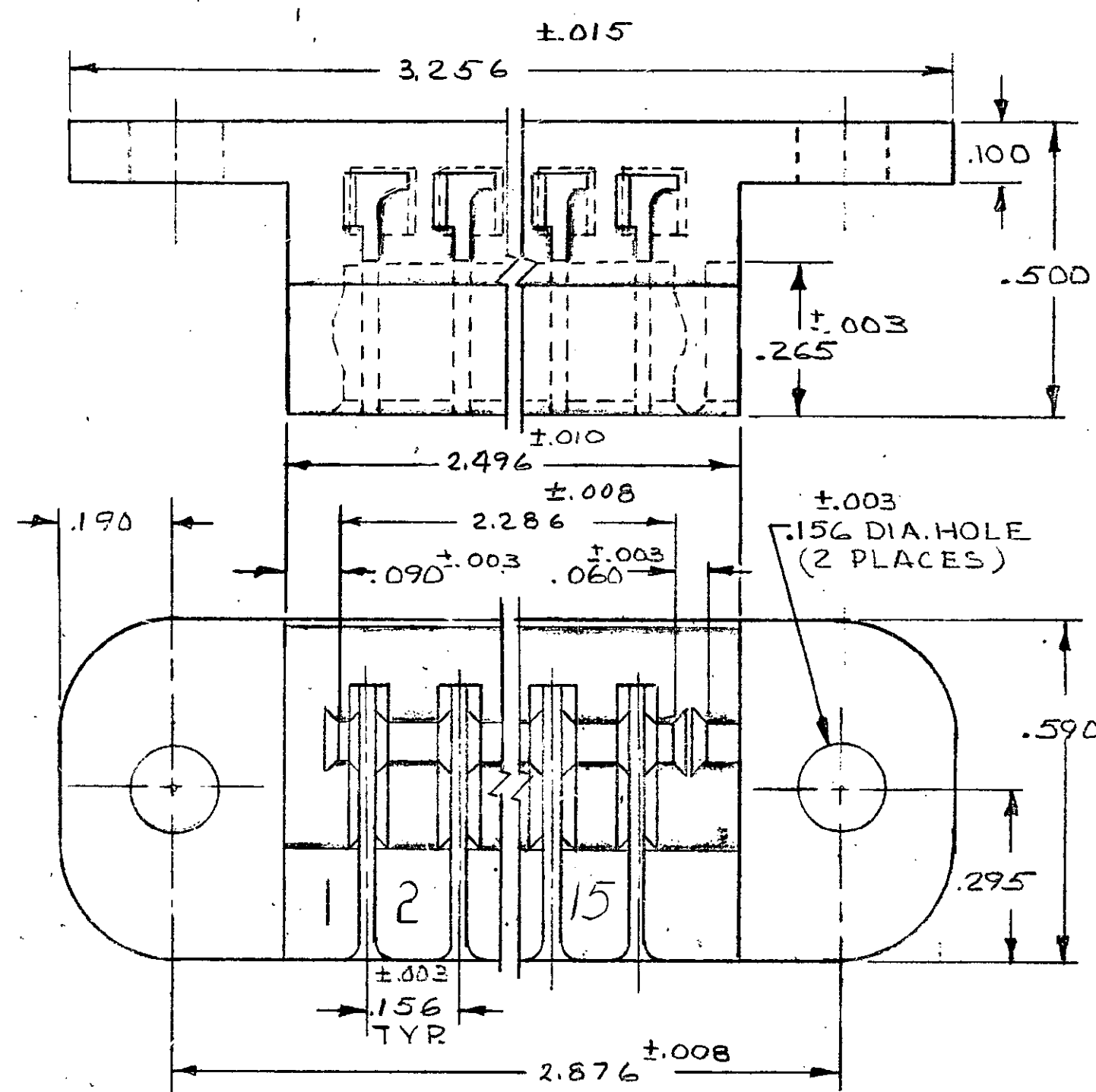


© 1962 BY AMP INCORPORATED. ALL RIGHTS RESERVED. AMP PRODUCTS COVERED BY PATENTS AND/OR PATENTS PENDING.

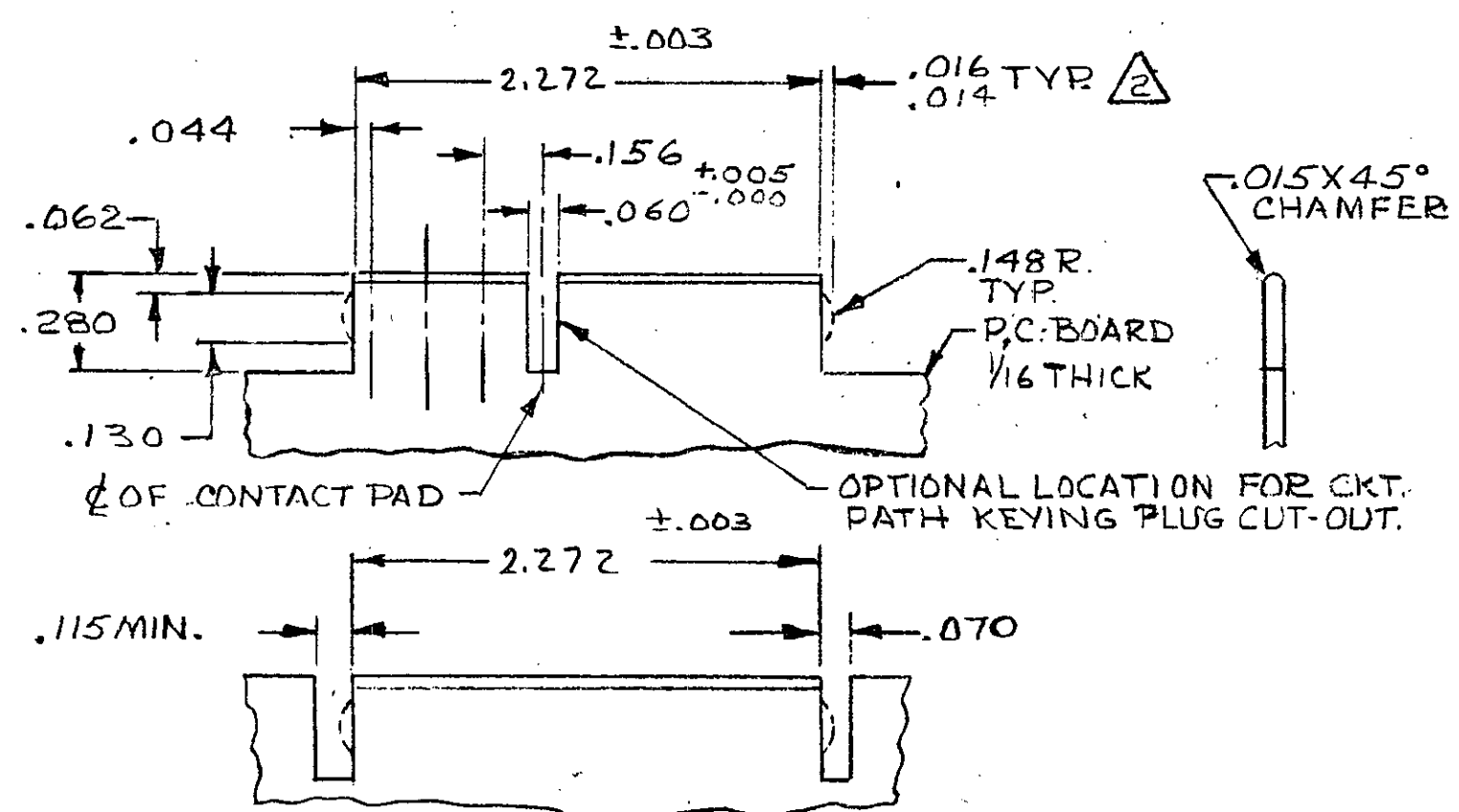
REVISIONS				
ZONE	LTR	DESCRIPTION	DATE	APPROVED
	HI	REDRAWN WITHOUT CHANGE	3388 DR 2-8-72	D.H.
	J	REVISED	3535 m.s. 6-8-72	D.H.
	K	REV. PER AD 1746	8-28-72	ew/RR
	L	REV PER 0010-1143-95	11-95	EP
	M	REV PER EC 0G3C-233-01	03OCT01	MM

PART N <sup>o</sup> .	COLOR.
-582386-1	BROWN
-582386-2	RED
-582386-3	ORANGE
-582386-4	YELLOW
-582386-5	GREEN
-582386-6	BLUE
-582386-7	VIOLET
-582386-8	GRAY
582386-9	NATURAL
+582386-0	BLACK

OBSOLETE



PART N<sup>o</sup> & DATE CODE MARKED OR MOLDED IN THIS AREA. DATE CODE (OPTIONAL)



OPTIONAL CUT-OUTS.

- REFER TO 60215 & 583284 FOR TERMINAL.
- THE RETAINING DIMPLES ARE OPTIONAL IN BOTH CUT-OUTS.
- CARD SLOT AND MOUNTING HOLE DIMENSIONS TO BE CHECKED WITH HOUSING RESTRAINED. (AS MOUNTED)

UNLESS OTHERWISE SPECIFIED, DIMENSIONS ARE IN INCHES TOLERANCES ON : DECIMALS ±.005 ANGLES ±	CONTRACT NO.	AMP INCORPORATED HARRISBURG, PENNSYLVANIA	
	MATERIAL <b>NYLON</b>	DR <i>Runkle</i> 2-8-72 CHK <i>J.S. Heide</i> 2-21-72 APPD <i>D.D. Bushey</i> 2-21-72 REL <i>R. Shawman</i> 2-21-72	AMP NAME <b>HOUSING, DUD-TYNE FLAG, WITH MOUNTING HOLES, 15 POSITION</b>
	DSGN APPD	SIZE <b>C</b>	CODE IDENT NO. <b>00779</b>
	OTHER APPD	NUMBER <b>582386</b>	
		SCALE <b>4-1</b>	SHEET <b>1 OF 1</b>

NUMBER 582386

LOC AD

DIST 00

单击下面可查看定价，库存，交付和生命周期等信息

[>>TE Connectivity\(泰科\)](#)