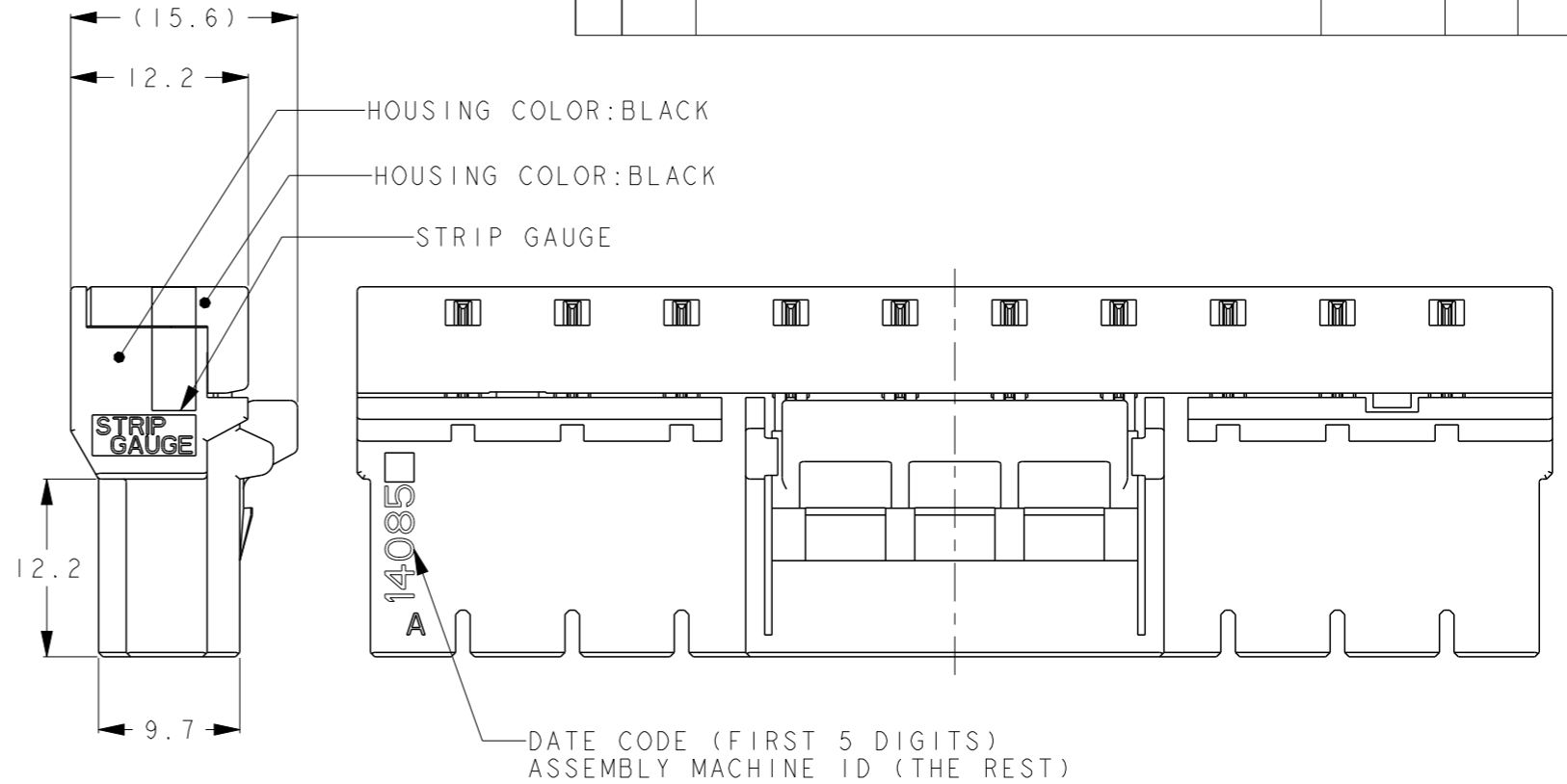
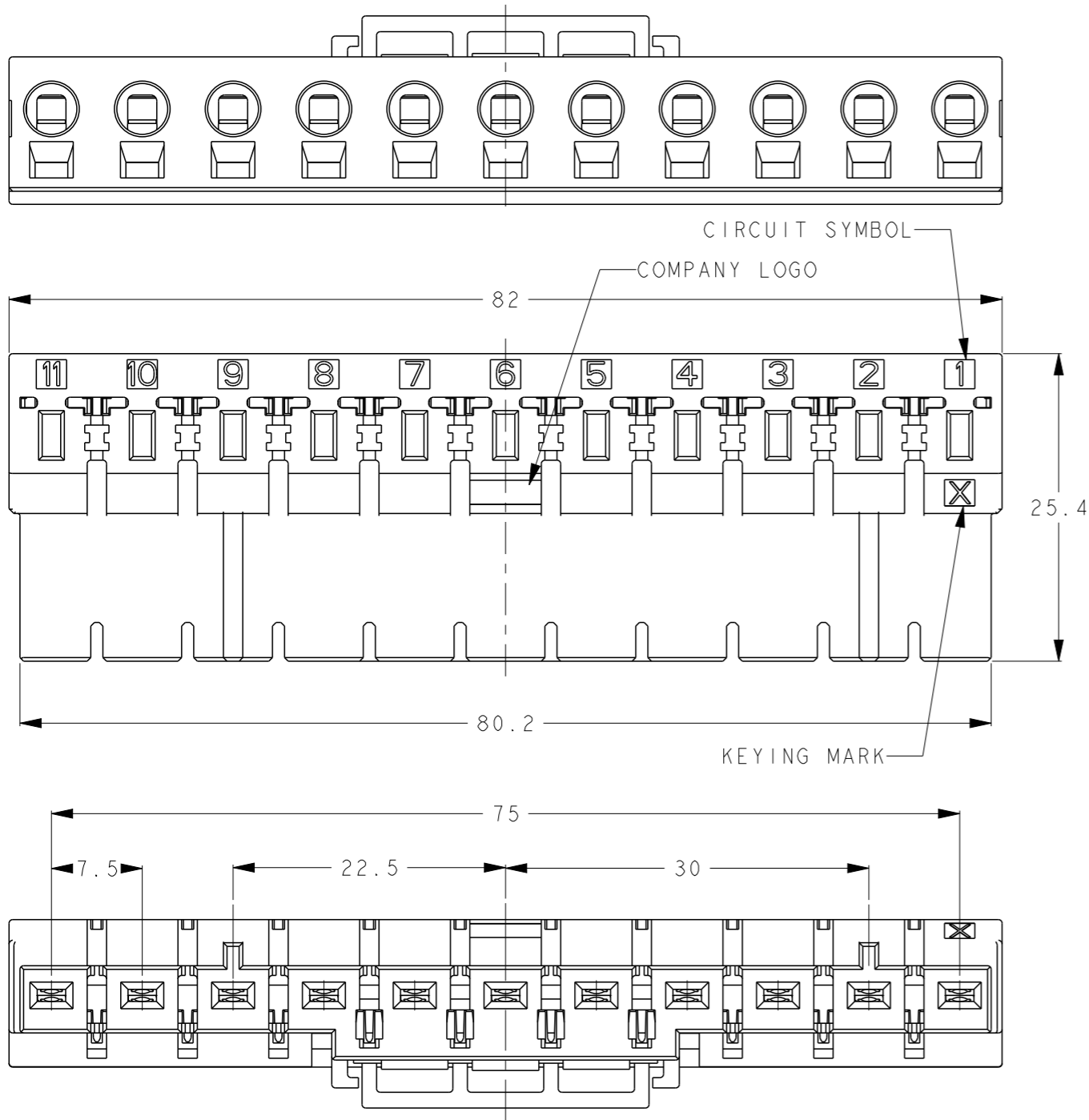


THIS DRAWING IS UNPUBLISHED. RELEASED FOR PUBLICATION XXXXX2011
 © COPYRIGHT 2014 BY Tyco Electronics Japan G.K. ALL RIGHTS RESERVED.


LOC	DIST	REVISIONS				
P	LTR	DESCRIPTION	DATE	DWN	APVD	
J	-	B	REVISED	12JUN2018	K.T	E.I
		C	REVISED	04SEP2020	R.I	E.I



- 1 MATERIAL
 HOUSING: THERMO PLASTICS
 CONTAMINATION Ø1.2 MAX
 CONTACT: COPPER ALLOY
 SPRING: STAINLESS
- 2 PLATING
 CONTACT POINT: UNDER Ni PLATING, OVER Au PLATING.
 WIRE CLAMPING POINT: UNDER Ni PLATING, OVER Tin PLATING.

1-2289080-1 (I POSITION KEYING: X)

X	II	1-2289080-1
KEYING	POS	PART NUMBER

THIS DRAWING IS A CONTROLLED DOCUMENT.		DWN K. TERAJIMA 24AUG2016	 TE Connectivity	
DIMENSIONS: mm		CHK E. TAKEMASA 24AUG2016		
TOLERANCES UNLESS OTHERWISE SPECIFIED: ±0.3		APVD E. TAKEMASA 24AUG2016	NAME RECEPTACLE ASSEMBLY DYNAMIC D3950	
0 PLC ± 1 PLC ± 2 PLC ± 3 PLC ± 4 PLC ± ANGLES ±5°		PRODUCT SPEC 108-78997	RESTRICTED TO	
MATERIAL SEE NOTE		FINISH SEE NOTE	APPLICATION SPEC 411-78272	SIZE A3
		WEIGHT -	CAGE CODE 300779	DRAWING NO C-2289080
		CUSTOMER DRAWING	SCALE 2:1	SHEET 1 OF 3
				REV C

THIS DRAWING IS UNPUBLISHED.

RELEASED FOR PUBLICATION

XXXXX2011

LOC

DIST

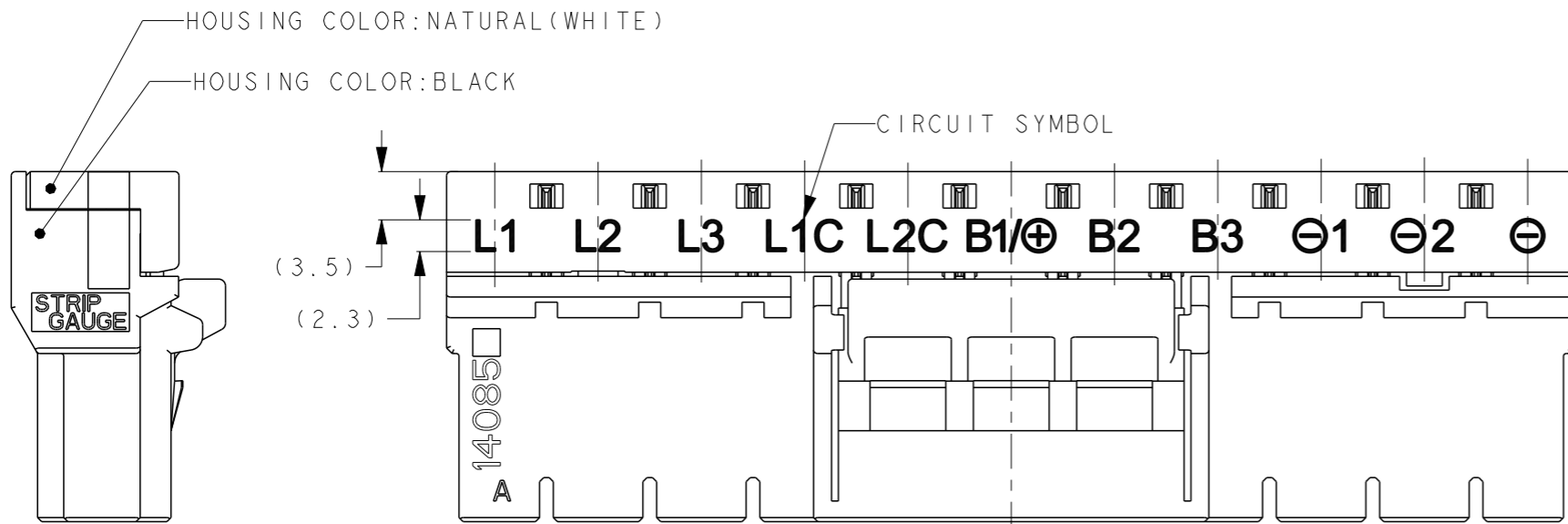
REVISIONS

© COPYRIGHT 2014 BY Tyco Electronics Japan G.K. ALL RIGHTS RESERVED.

J


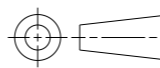
-

P	LTR	DESCRIPTION	DATE	DWN	APVD
	-	SEE SHEET 1	-	-	-



1-2289080-2 (11 POSITION KEYING: X)

X	11	1-2289080-2
KEYING	POS	PART NUMBER

THIS DRAWING IS A CONTROLLED DOCUMENT.		DWN K. TERAJIMA 24AUG2016	 TE Connectivity NAME RECEPTACLE ASSEMBLY DYNAMIC D3950				
DIMENSIONS: mm		CHK E. TAKEMASA 24AUG2016					
		APVD E. TAKEMASA 24AUG2016					
TOLERANCES UNLESS OTHERWISE SPECIFIED: ± 0.3		PRODUCT SPEC 108-78997					
0 PLC ± 1 PLC ± 2 PLC ± 3 PLC ± 4 PLC ± ANGLES ±5° FINISH SEE NOTE		APPLICATION SPEC 411-78272	SIZE A3	CAGE CODE 00779	DRAWING NO C-2289080	RESTRICTED TO -	
MATERIAL SEE NOTE		WEIGHT -	SCALE 2:1		SHEET 2	OF 3	REV C
		CUSTOMER DRAWING					

THIS DRAWING IS UNPUBLISHED.

RELEASED FOR PUBLICATION

XXXXX2011

© COPYRIGHT 2014

BY Tyco Electronics Japan G.K.

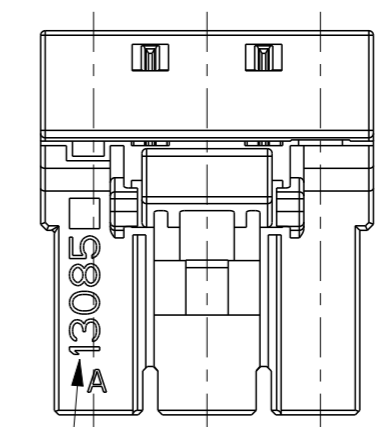
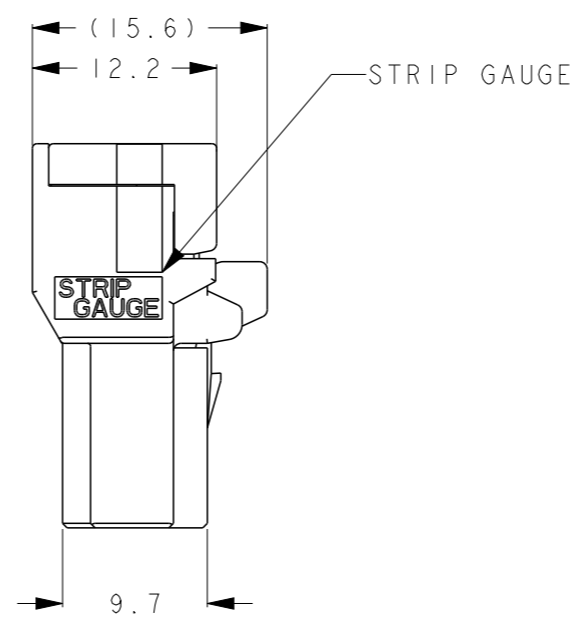
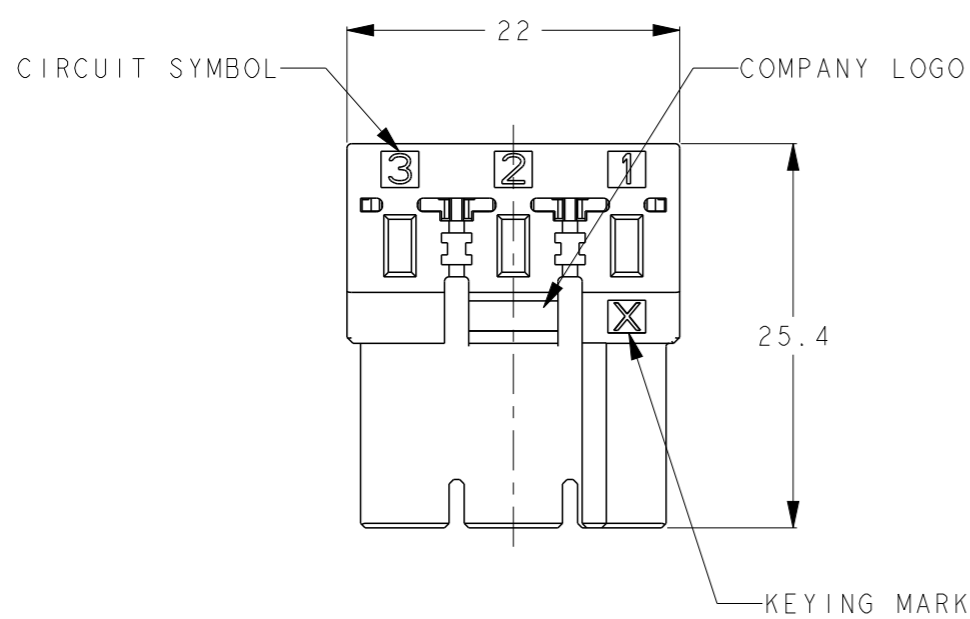
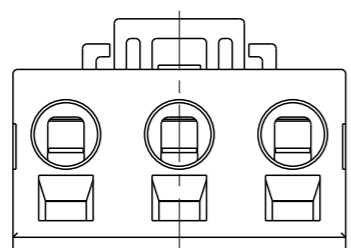
ALL RIGHTS RESERVED.

LOC
J

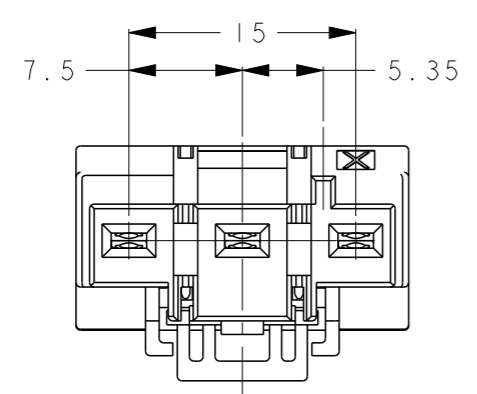
DIST
-

REVISIONS

P	LTR	DESCRIPTION	DATE	DWN	APVD
	-	SEE SHEET 1	-	-	-


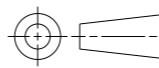


DATE CODE (FIRST 5 DIGITS)
ASSEMBLY MACHINE ID (THE REST)



3-2289080-1 (3 POSITION KEY-X)
COLOR: BLACK

X	3	3-2289080-1
KEYING	POS	PART NUMBER

THIS DRAWING IS A CONTROLLED DOCUMENT.		DWN K. TERAJIMA 24AUG2016	 TE Connectivity		
DIMENSIONS: mm		CHK E. TAKEMASA 24AUG2016			NAME RECEPTACLE ASSEMBLY DYNAMIC D3950
		APVD E. TAKEMASA 24AUG2016			PRODUCT SPEC 108-78997
TOLERANCES UNLESS OTHERWISE SPECIFIED: ± 0.3		APPLICATION SPEC 411-78272	SIZE A300779	CAGE CODE C-2289080	
MATERIAL SEE NOTE		FINISH SEE NOTE	WEIGHT -	RESTRICTED TO -	
CUSTOMER DRAWING			SCALE 2:1	SHEET 3 OF 3	

单击下面可查看定价，库存，交付和生命周期等信息

[>>TE Connectivity\(泰科\)](#)