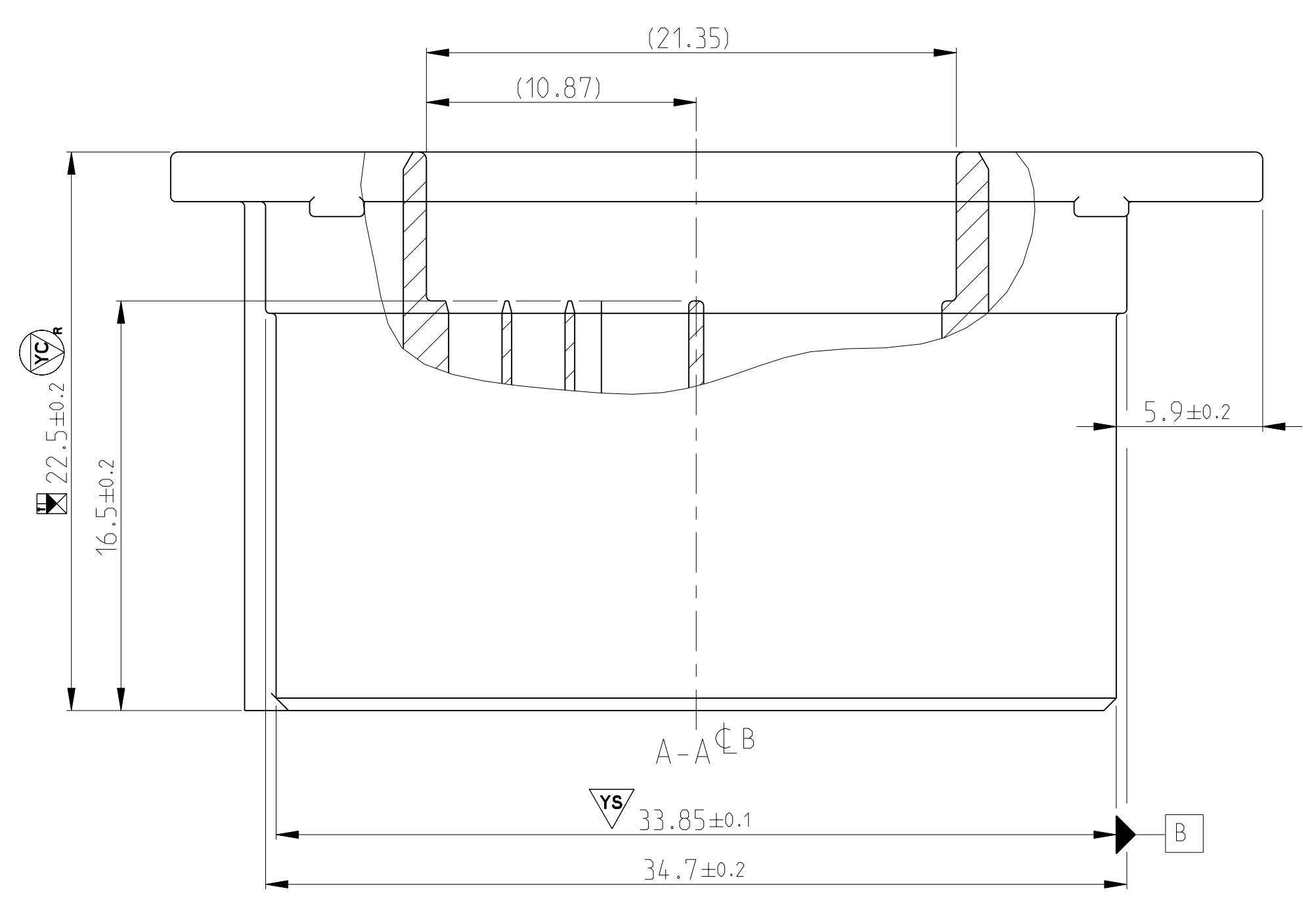
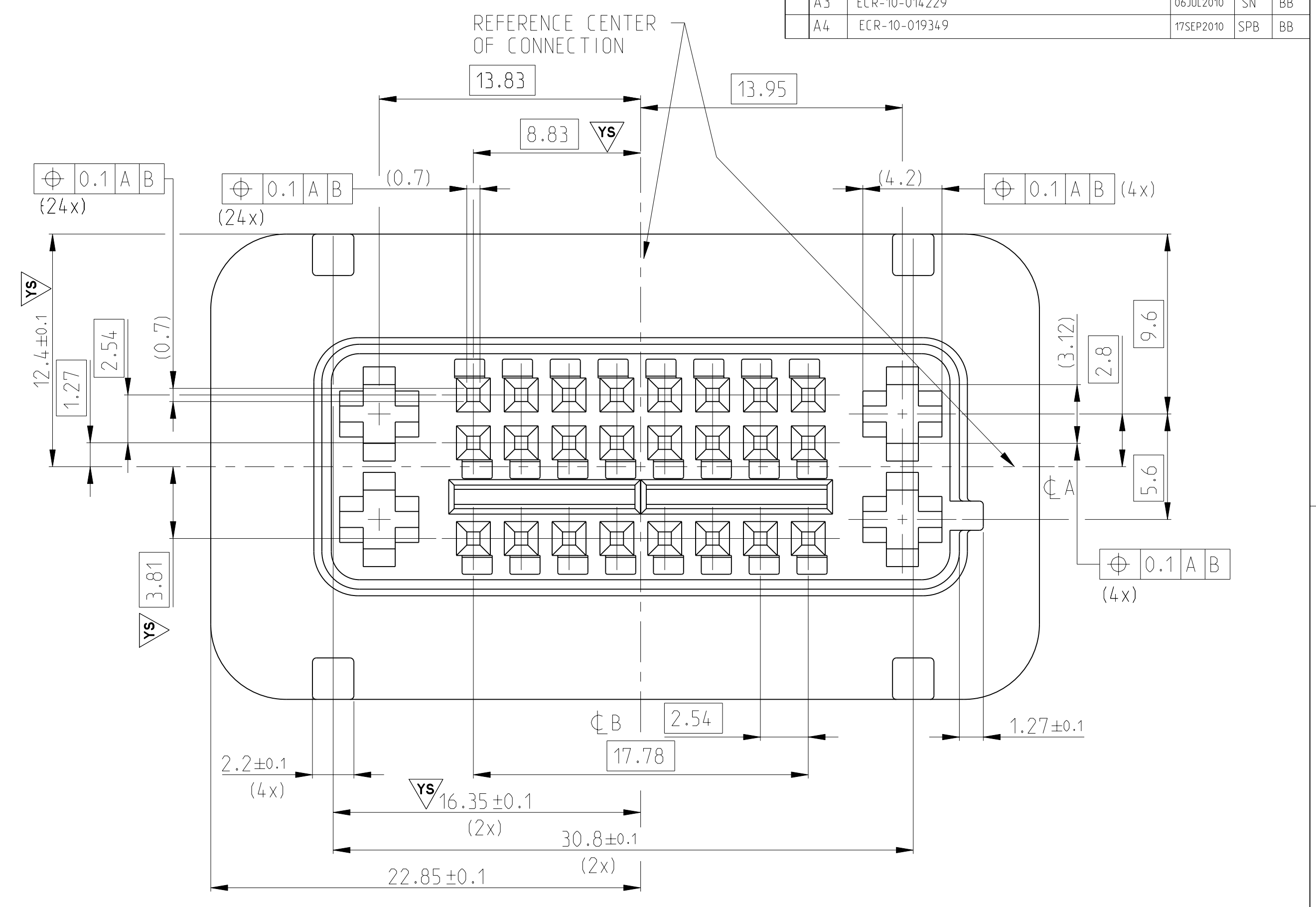
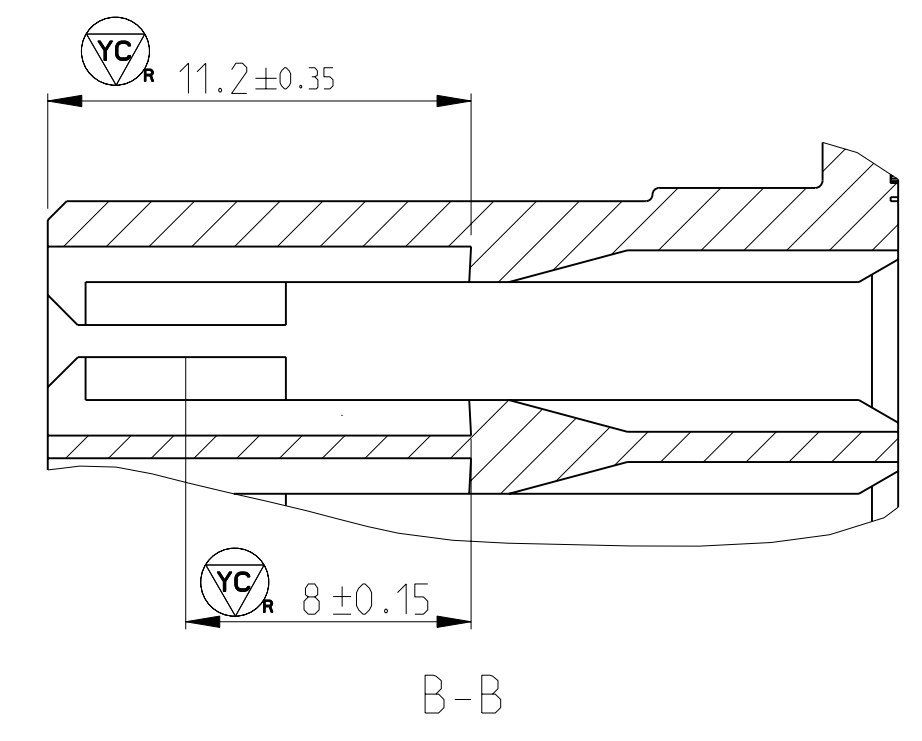
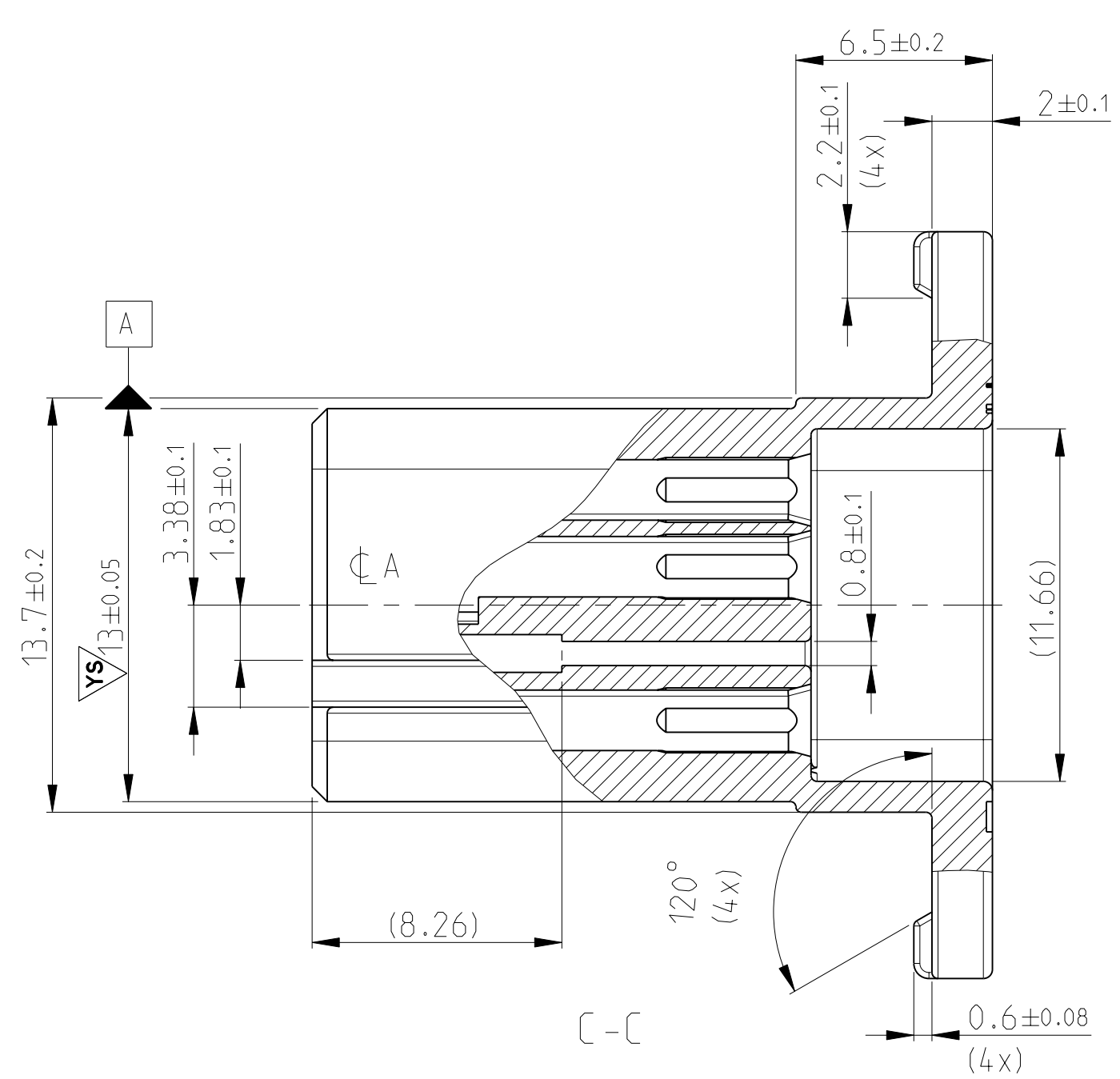
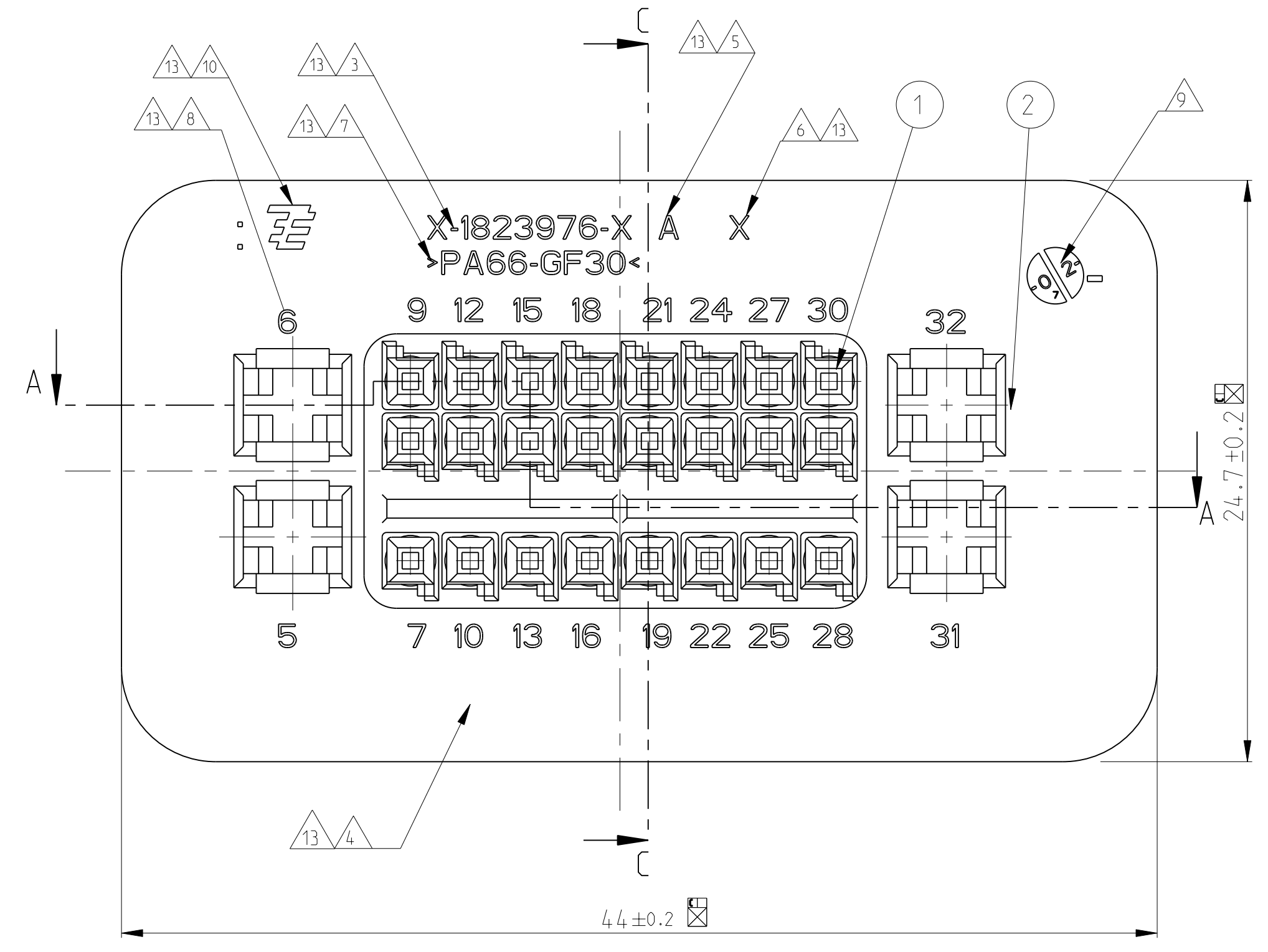
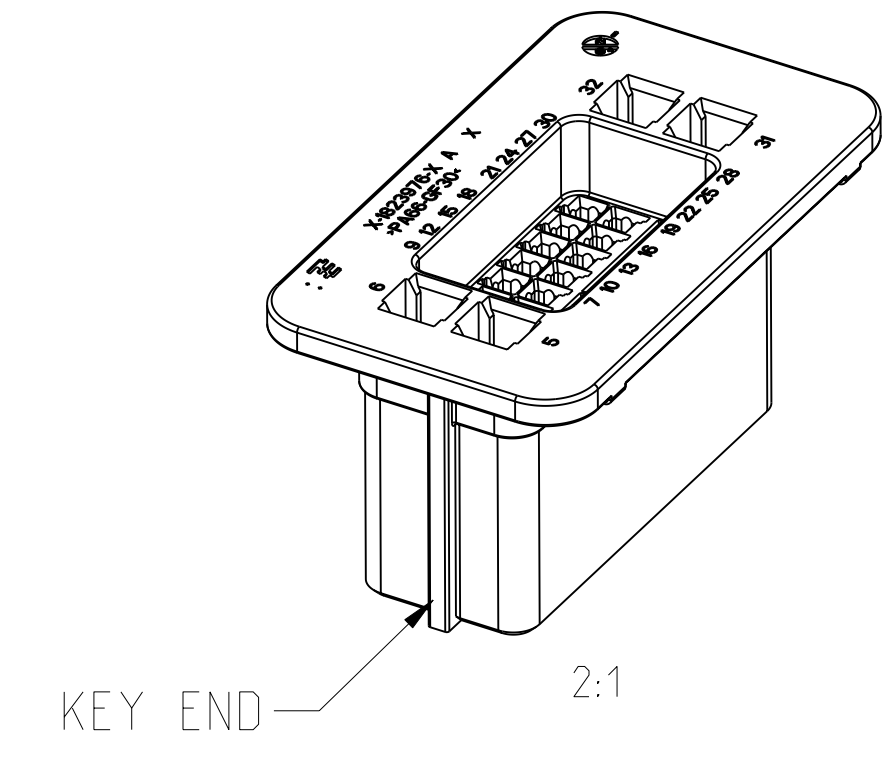


LOC	DIST	REV	DATE	BY	APP
A1	-	1	01DEC2009	SPB	BB
A2	-	2	06MAY2010	SN	BB
A3	-	3	06JUL2010	SN	BB
A4	-	4	17SEP2010	SPB	BB



### SYMBOLS DEFINITION

DESIGNATION	SYMBOL
DIMENSION LABEL	(X)
DIMENSION FOR INFORMATION ONLY	>X<
SPECIAL CHARACTERISTIC (ACCORDING TO FMEA-LO11 N0805-208-001)	YC/R, YS

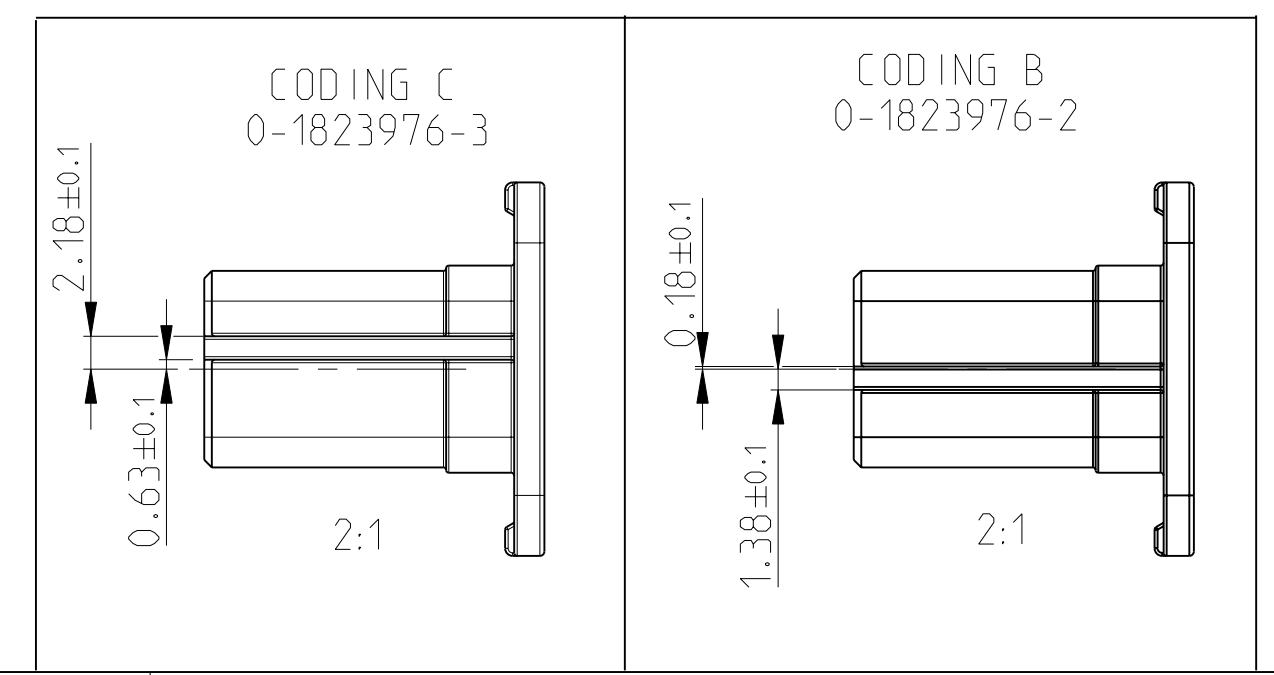


Das mit dieser Zeichnung vorgestellte Produkt wird hiermit zur Fertigung der notwendigen Produktionswerkzeuge freigegeben. Nachträgliche Änderungswünsche gehen zu Lasten des Auftraggebers.

Datum, Firmenstempel und Unterschrift des Auftraggebers.

- NOTES
- FOR CONTACTS SEE THE DRAWINGS:  
MICRO QUADLOK SYSTEM: 929454  
JUNIOR POWER TIMER: 1355047
  - ALL RADII R0.5 EXCEPT AS NOTED
  - TE PART NO. (SEE TABLE)
  - ALRT PART NO. (SEE TABLE)
  - REVISION (SEE TABLE)
  - TOOLING CAVITY MARKING (NOT USED FOR PILOT TOOLING)
  - MATERIAL IDENTIFICATION (SEE TABLE)
  - CAVITY IDENTIFICATION
  - PRODUCTION DATE WITH DATE INSERT, Ø3, SUNK 0.2mm
  - TE-LOGO PN 1-15994-1 ACCORDING TO THE DRAWING 15994, SUNK 0.2mm
  - VOLUME 6133mm<sup>3</sup>
  - REGRIND MAX. 15%
  - CHARACTERS ACC. TO DIN 1451, SUNK 0.2mm
  - MATERIAL: PA66-GF30, COLOR: BLACK

ITEM NO.	TE	DESCRIPTION	ITEM NO.	TE	DESCRIPTION
0-1823976-3	C A 1	SOCKET HOUSING	1823940-2	-	-
0-1823976-2	B A 1	SOCKET HOUSING	1823940-3	-	-
0-1823976-1	A A 1	SOCKET HOUSING	1823940-1	-	-
TTNR ALRT	Bestell-Nr. ORDER NO.	COD. REV. PCS. MATERIAL	DESCRIPTION	ITEM NO.	Passend zu: Stiftwanne SUITABLE FOR: PIN HEADER



CODING A  
Kodierung A  
-01 AS SHOWN  
wie gezeigt

TE PART NUMBER	SURFACE MATERIAL	BASE MATERIAL	CONTACT TYPE	CAVITY POSITION
(Symbol)	TIN	CuSn4	JPT	2
(Symbol)	TIN	NOT DEFINED	MQS	1

DATE: 21MAY2009	BY: SHASHIDHARA N	APPV: BOB BAKER
PRODUCT SPEC: -	APPLICATION SPEC: -	WEIGHT: -
SIZE: A1	CAGE CODE: 00779	DRAWING NO: C=1823976
CUSTOMER DRAWING		SCALE: 5:1

单击下面可查看定价，库存，交付和生命周期等信息

[>>TE Connectivity\(泰科\)](#)