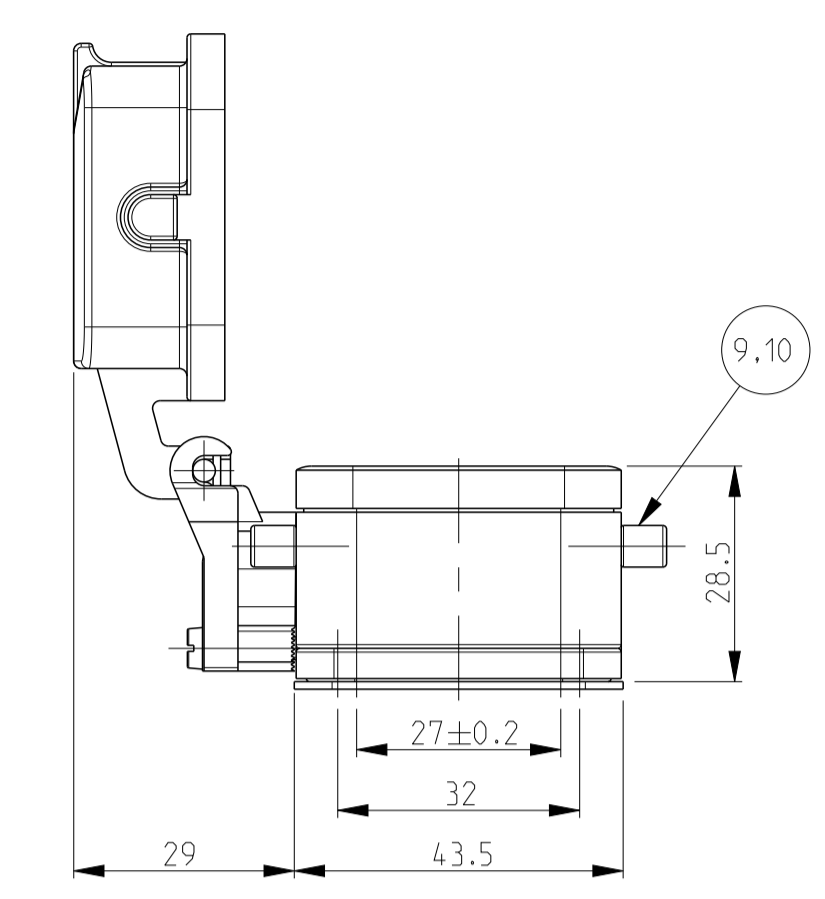
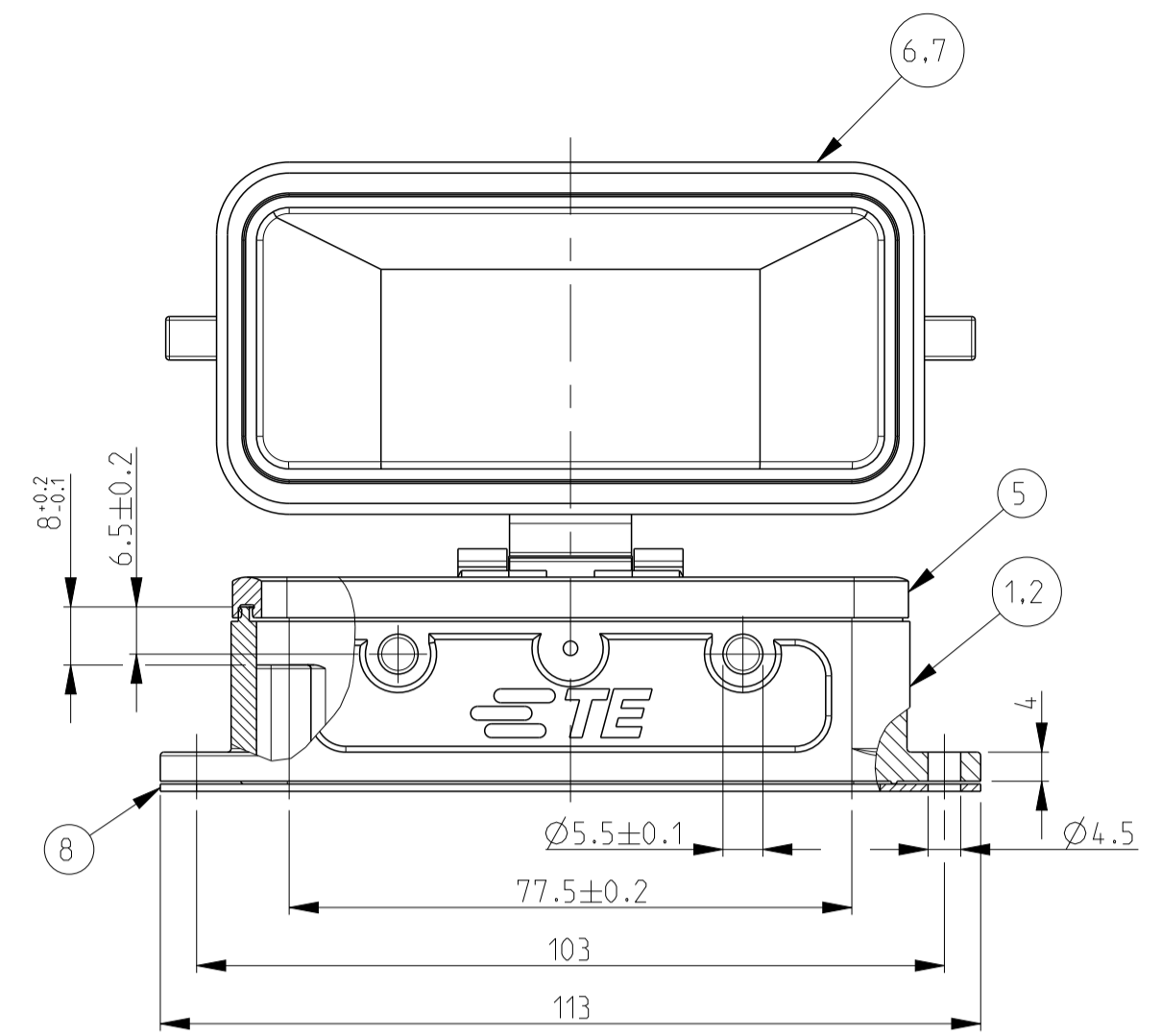
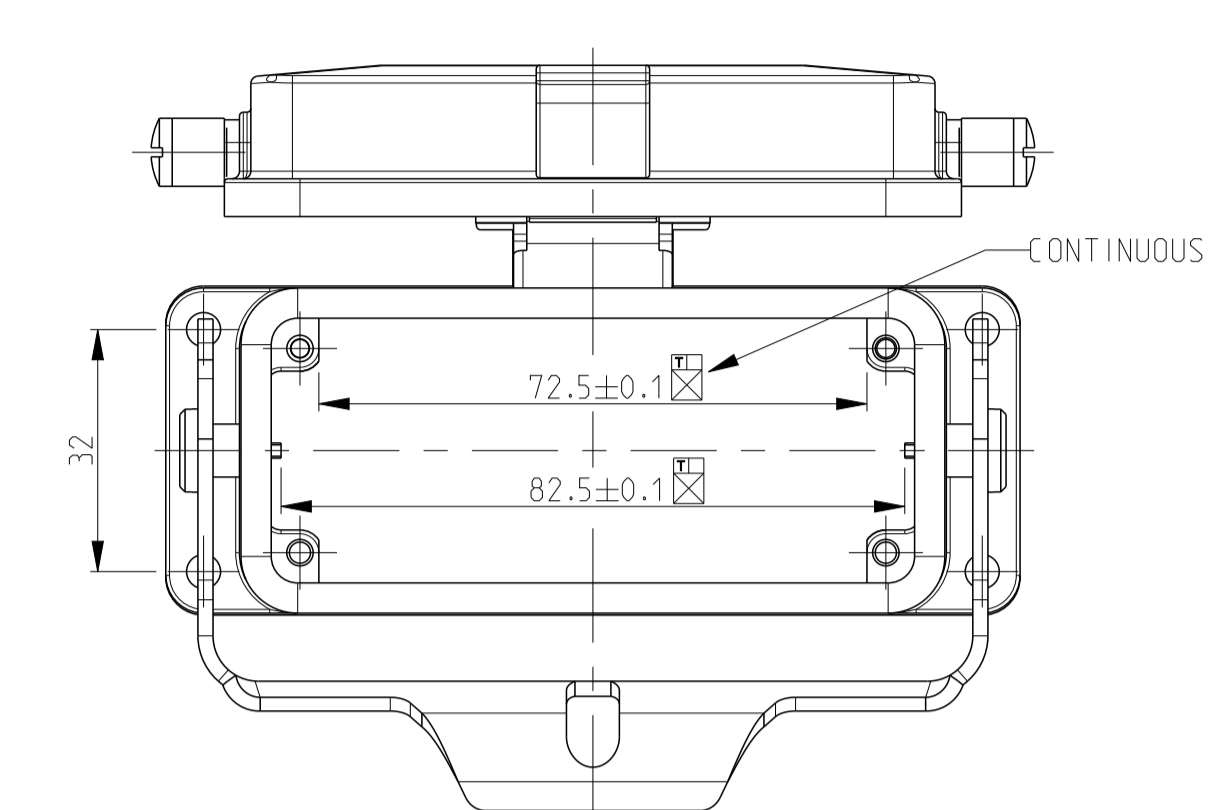


REVISIONS				
P	LTN	DESCRIPTION	DATE	APPV
BB		Released as per ECR-07-030430	17.12.07	SP TS
C		ECR-15-015728	19APR2016	GCM JB
C1		ECR-16-015318	20SEP2017	GR MKO
C2		ECR-16-016768	15NOV2017	GR MKO

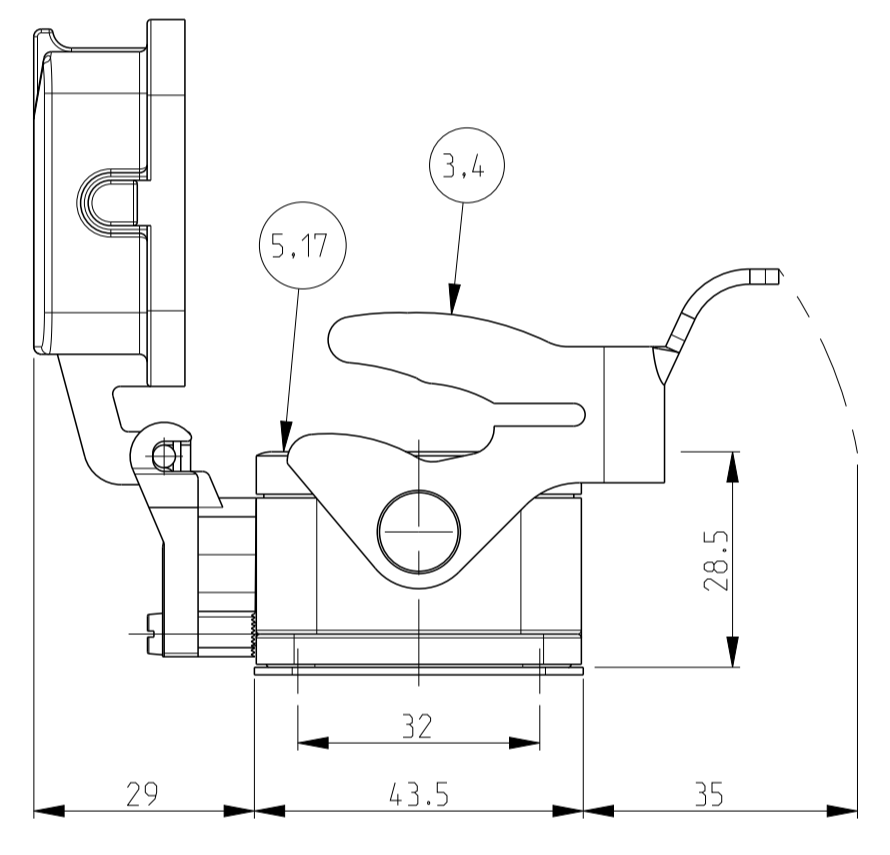
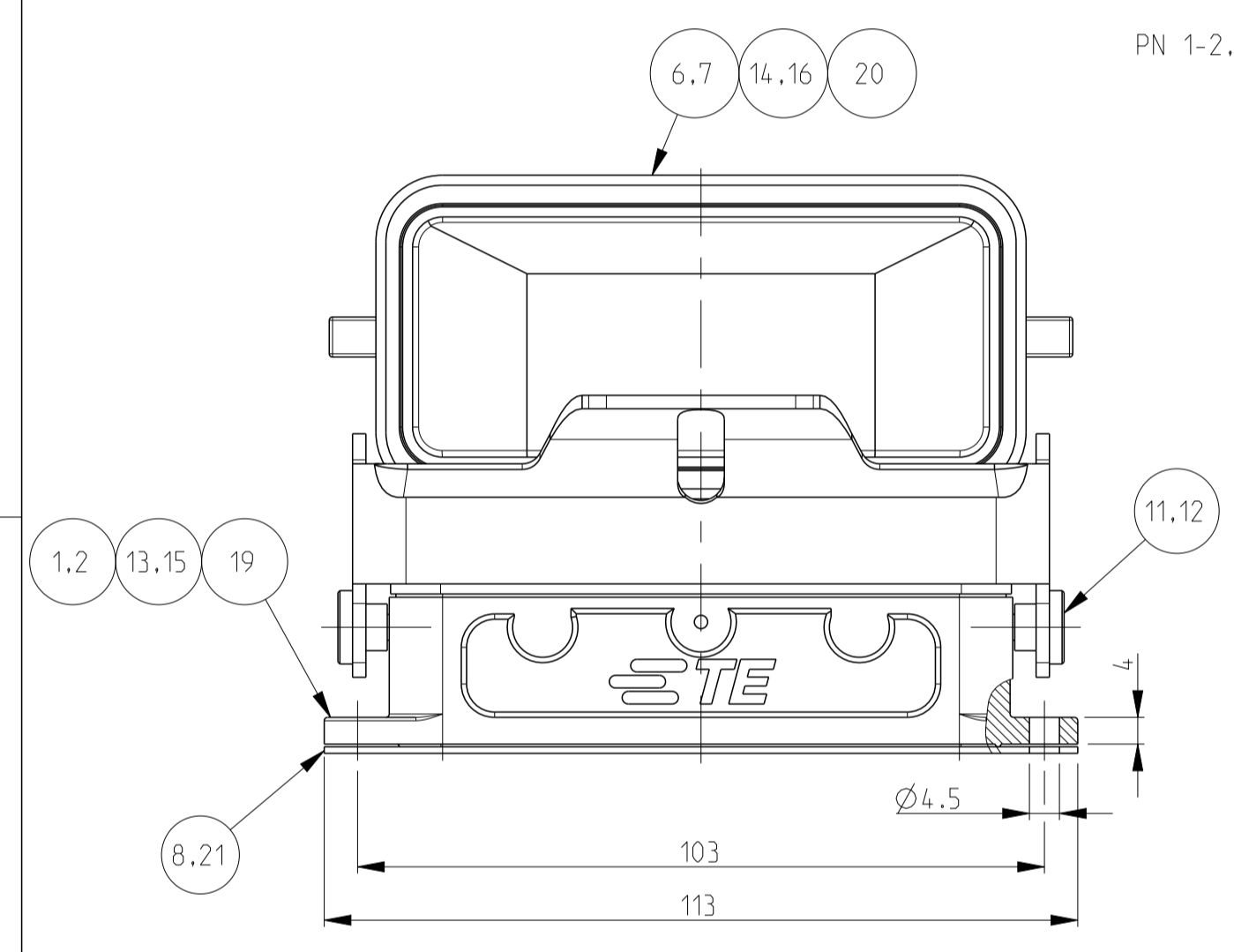
PN 1-6.2-6 & 0-2



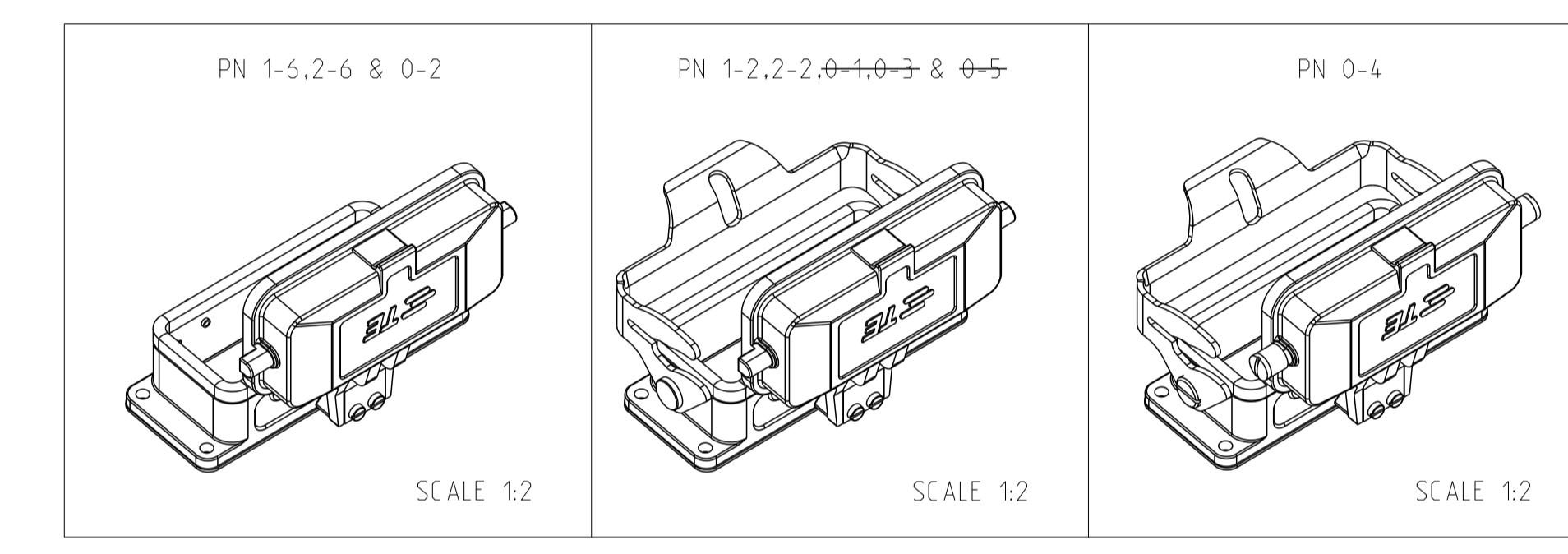
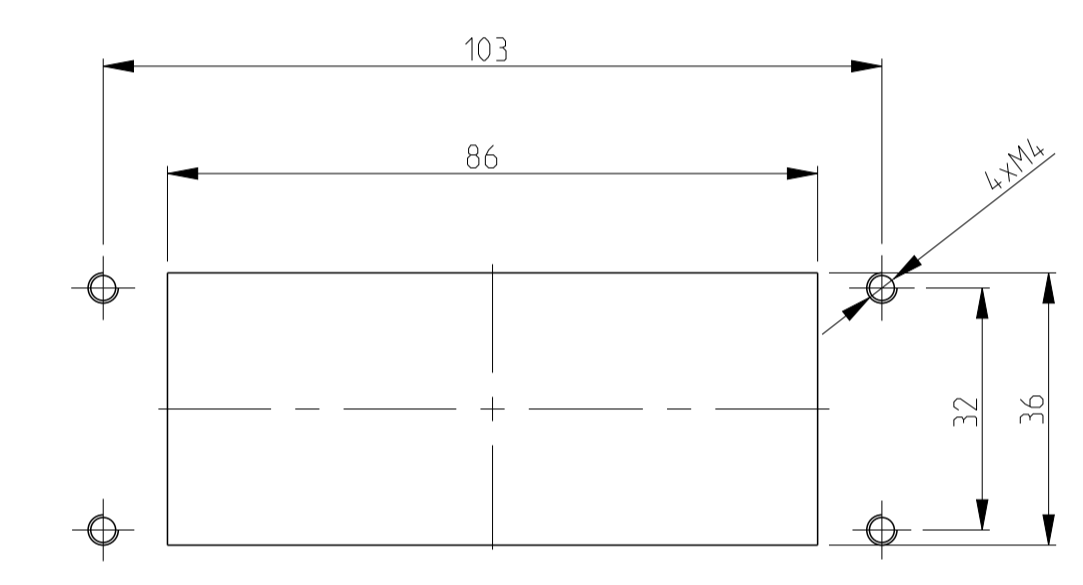
LANDING MILLED OFF



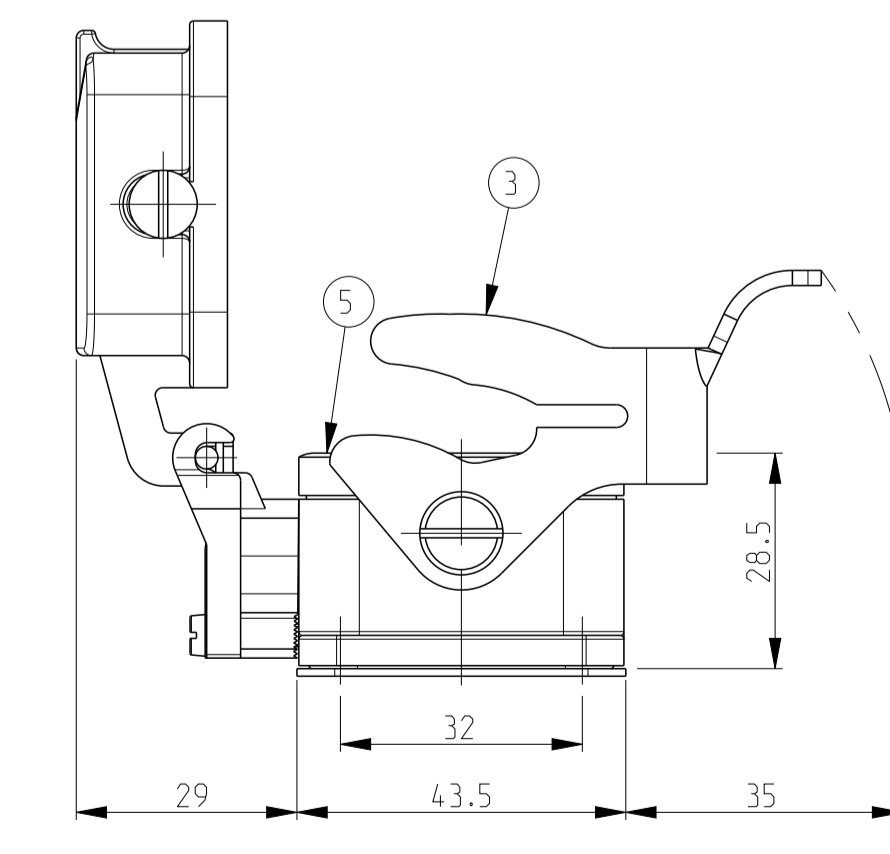
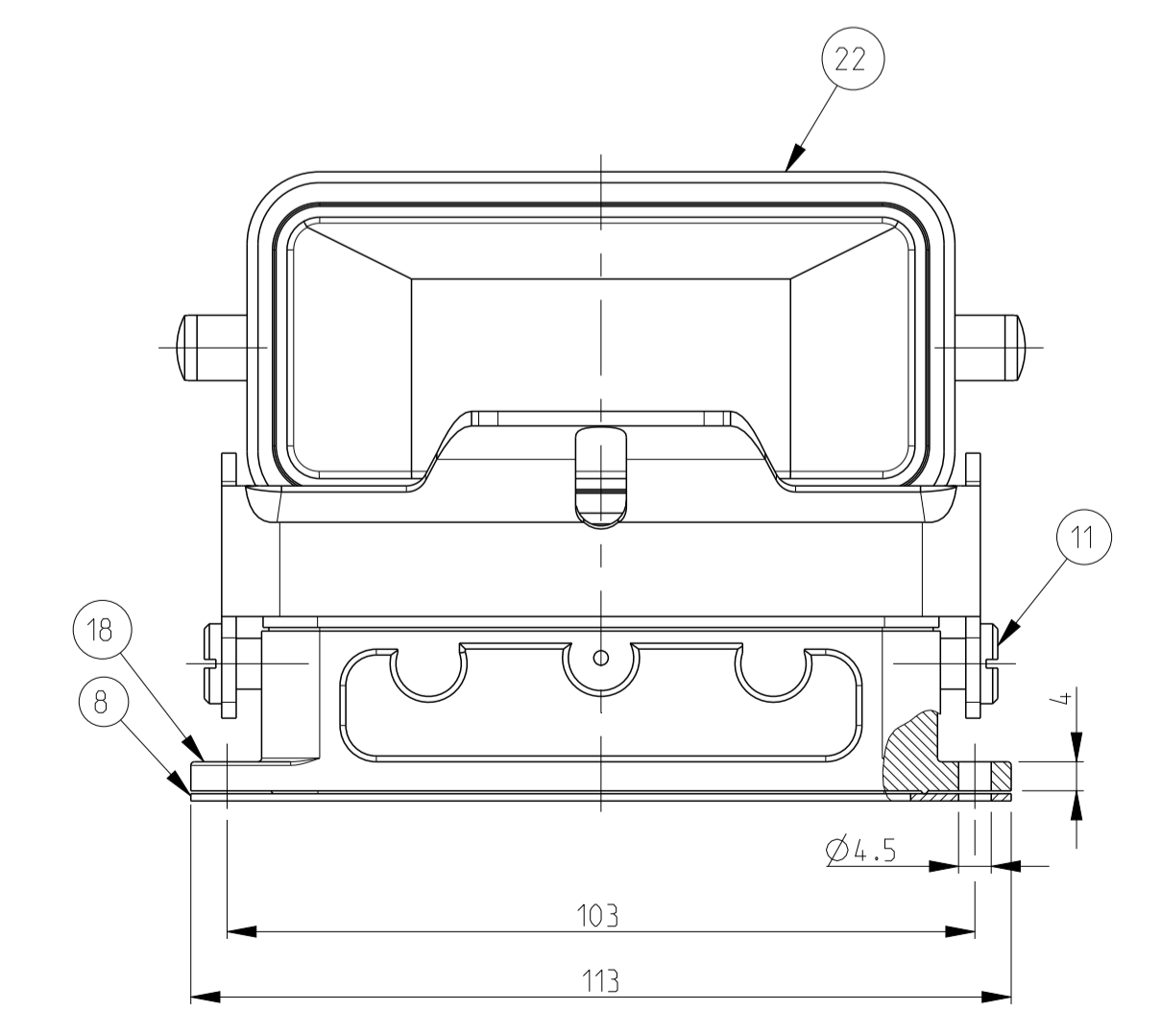
PN 1-2.2-2, 0-4, 0-3 & 0-5



PANEL CUT OUT



PN 0-4



QTY	DESCRIPTION	MATERIAL	SURFACE	COLOR	ITEM NO	REMARKS									
1	Cover HB	Aluminium		Grey	22	Neutral									
1	Flange Seal	Neoprene		Black	21	Conductive									
1	Cover HB-EMV	Aluminium	SEE NOTE 2	Black	20										
1	Surface mounted housing bottom entry HB-EMV	Aluminium	SEE NOTE 2	Black	19										
1	Surface mounted housing bottom entry HB	Aluminium		Grey	18	Neutral									
1	Profile Seal	Neoprene		Black	17	Conductive									
1	Cover HB-EMV	Aluminium	SEE NOTE 2	W without varnish	16										
1	Surface mounted housing bottom entry HB-EMV	Aluminium	SEE NOTE 2	W without varnish	15										
1	Cover HB	Aluminium		Red	14										
1	Surface mounted housing bottom entry HB	Aluminium		Red	13										
2	LB-Clip Positioner	Stainless Steel	Blank		12										
2	LB-Clip Positioner	Steel	Zinc Plated	Blue	11										
4	VS-Clip Bolt	Stainless Steel	Blank		10										
4	VS-Clip Bolt	Steel	Zinc Plated	Blue	9										
1	Flange Seal	Neoprene		Black	8										
1	Cover HB-K	Aluminium	Aluminium Oxide	Black	7										
1	Cover HB	Aluminium		Grey	6										
1	Profile Seal	Neoprene		Black	5										
1	LB-Side Clip	Stainless Steel	Blank		4										
1	LB-Side Clip	Steel	Zinc Plated	Blue	3										
1	Surface mounted housing bottom entry HB-K	Aluminium	Aluminium Oxide	Black	2										
1	Surface mounted housing bottom entry HB	Aluminium		Grey	1										
0-5	0-4	0-3	0-2	0-1	2-6	1-6	2-2	1-2	DESCRIPTION	MATERIAL	SURFACE	COLOR	ITEM NO	REMARKS	
ORDERING TEXT															
HB.16.AGD-LB															
HB-K.16.AGD-LB															
HB.16.AGD															
HB-K.16.AGD															
HB.16.AGD-LB															
HB.16.AGD.KM															
HB-EMV.16.AGD-LB															
HB.16.AGD-LB															
HB-EMV.16.AGD-LB															

THIS DRAWING IS A CONTROLLED DOCUMENT. DWN: Schneider 13.04.2000, CMC: Schneider 13.04.2000

TE Connectivity

NAME: Surface Mounted Housing Bottom Entry HB.16.AGD

PRODUCT SPEC: -

APPLICATION SPEC: -

SIZE: A1, CAGE CODE: 00779, DRAWING NO: 1102305

RESTRICTED TO: -

WEIGHT: -

CUSTOMER DRAW ING

SCALE: 1:1, SHEET: 1 OF 1, REV: C2

单击下面可查看定价，库存，交付和生命周期等信息

[>>TE Connectivity\(泰科\)](#)