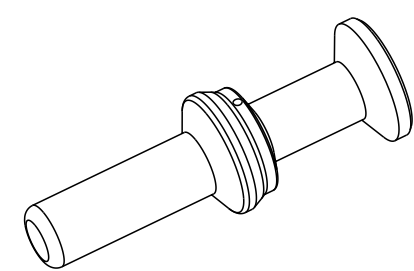
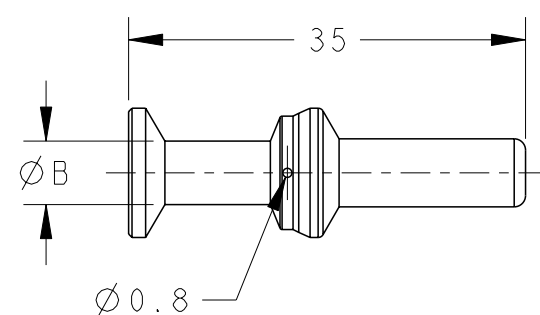


THIS DRAWING IS UNPUBLISHED. RELEASED FOR PUBLICATION 20
 © COPYRIGHT 20 BY - ALL RIGHTS RESERVED.

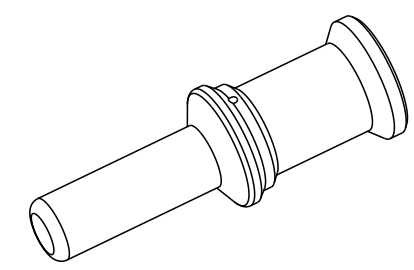
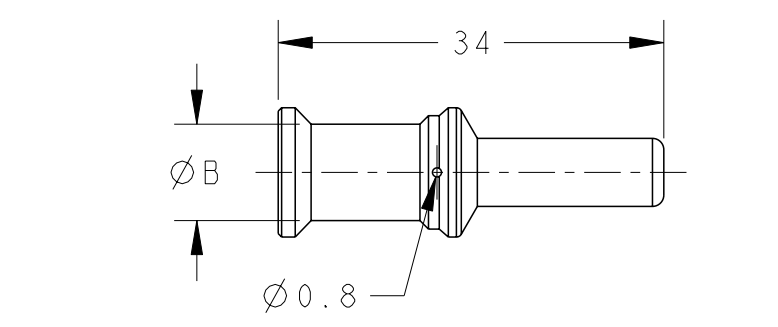
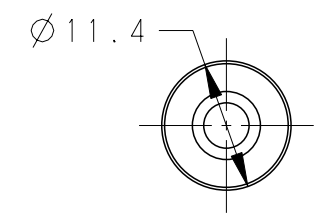
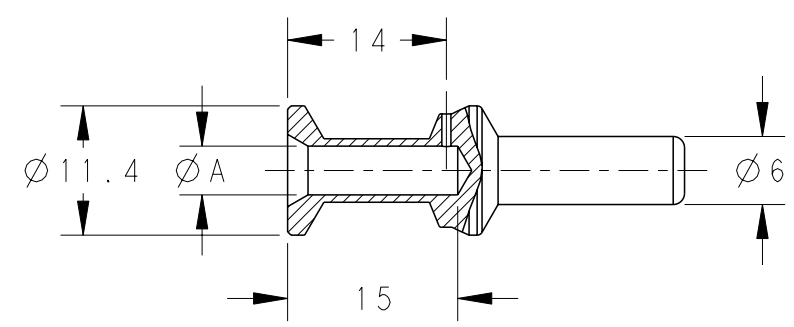
REVISIONS					
P	LTR	DESCRIPTION	DATE	DWN	APVD
	A	INITIAL	15MAY2015	DW	CW
	A1	ECR-16-015170	11JAN2017	YC	CW
	B	ECR-19-018087	22NOV2019	YC	CW
	B1	ECR-21-125167	4JAN2022	GY	CW



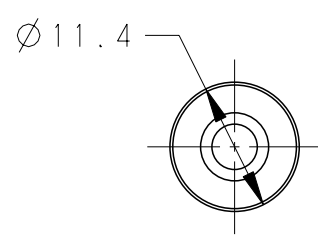
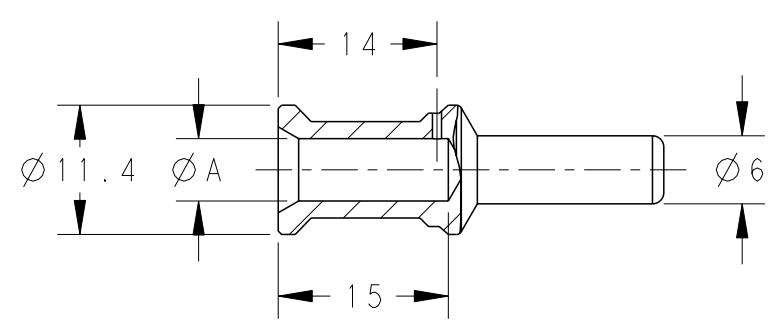
TYPE 1:
 CSM-10 T2400001100-000
 类型 1:
 CSM-10 T2400001100-000

NOTES:
 1. TECHNICAL CHARACTERISTICS:
 CONTACT MATERIAL: BRASS
 SURFACE PLATING:
 SILVER PLATING: $\geq 2\mu\text{m}$
 CONTACT RESISTANCE: $\leq 1.5\text{m}\Omega$
 WIRE RANGE: 6.0-25mm²

注释:
 1. 技术参数:
 公针材料: 黄铜
 表面电镀:
 镀银: $\geq 2\mu\text{m}$
 接触电阻: $\leq 1.5\text{m}\Omega$
 接线范围: 6.0-25mm²



TYPE 2:
 CSM-16 T2400001160-000
 类型 2:
 CSM-16 T2400001160-000



THIS DRAWING IS A CONTROLLED DOCUMENT.		DWN DAVID WANG 15MAY2015	 TE Connectivity			
DIMENSIONS: mm		CHK CHRIS WANG 15MAY2015				NAME CSM
TOLERANCES UNLESS OTHERWISE SPECIFIED: 0 PLC ±- 1 PLC ±- 2 PLC ±- 3 PLC ±- 4 PLC ±- ANGLES ±-		APVD XIANG XU 15MAY2015				PRODUCT SPEC 108-137059
MATERIAL -		FINISH -				APPLICATION SPEC 114-137059
		WEIGHT -	SIZE A300779	CAGE CODE C-T2400001XX0000	RESTRICTED TO -	
		CUSTOMER DRAWING	SCALE 3:2	SHEET 1 OF 2	REV B1	

printed on 4 Jan 2022 16:33 (China Standard Time) from TE152312

THIS DRAWING IS UNPUBLISHED.

RELEASED FOR PUBLICATION

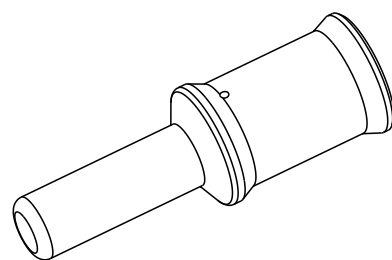
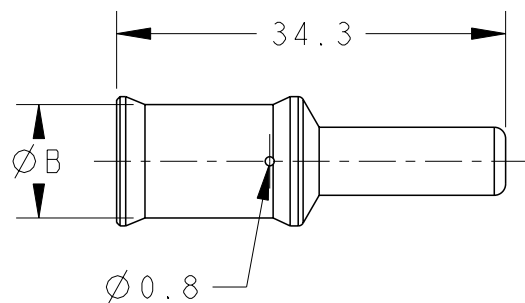
20

© COPYRIGHT 20 BY -

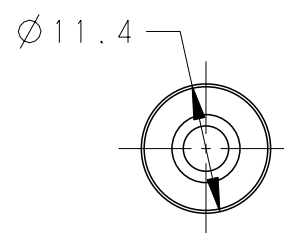
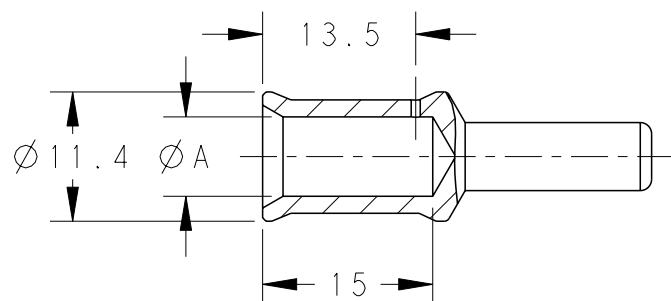
ALL RIGHTS RESERVED.

REVISIONS

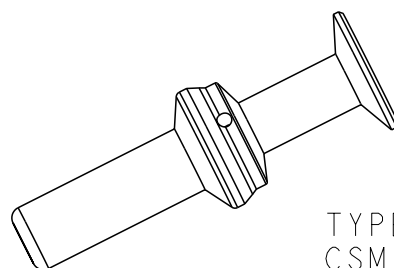
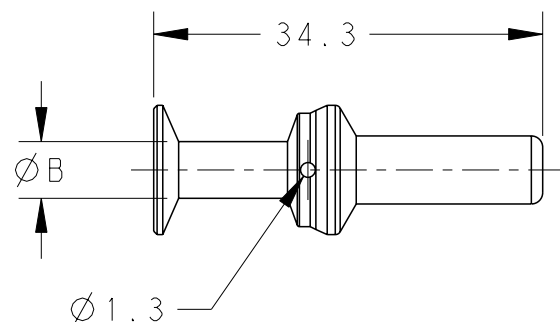
P	LTR	DESCRIPTION	DATE	DWN	APVD
-	-	SEE SHEET 1	-	-	-



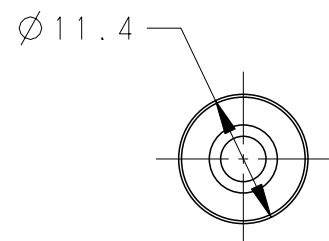
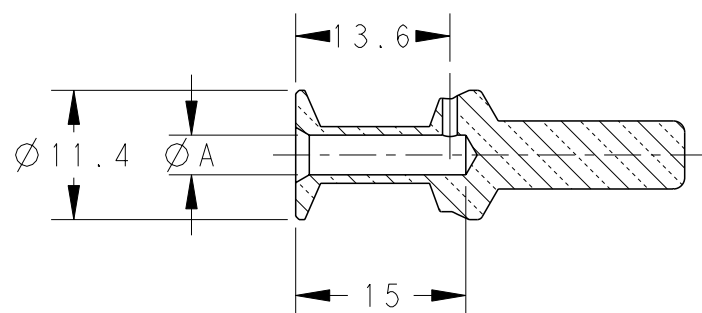
NOTES:
SEE SHEET 1.
注释:
见SHEET 1.



TYPE 3:
CSM-25 T2400001250-000
类型 3:
CSM-25 T2400001250-000



TYPE 4:
CSM-6.0 T2400001060-000
类型 4:
CSM-6.0 T2400001060-000



T2400001100-000	CSM-10	CSM-10, SILVER PLATING / SS公针 10mm ² , 镀银	4.3	5.6	10	15	TYPE 1	
T2400001160-000	CSM-16	CSM-16, SILVER PLATING / SS公针 16mm ² , 镀银	5.5	8.5	16		TYPE 2	
T2400001250-000	CSM-25	CSM-25, SILVER PLATING / SS公针 25mm ² , 镀银	7.0	10.0	25		TYPE 3	
T2400001060-000	CSM-6.0	CSM-6.0, SILVER PLATING / SS公针 6.0mm ² , 镀银	3.5	5.0	6		TYPE 4	
PART NUMBER 料号	PART DESCRIPTION 描述			ØA	ØB	WIRE GAUGE 线规(mm ²)	STRIPPING LENGTH(mm) 剥线长度	TYPE 类型

THIS DRAWING IS A CONTROLLED DOCUMENT.		DWN 15MAY2015 DAVID WANG		
DIMENSIONS: mm		CHK 15MAY2015 CHRIS WANG		
TOLERANCES UNLESS OTHERWISE SPECIFIED:		APVD 15MAY2015 XIANG XU	NAME CSM	
0 PLC ±-		PRODUCT SPEC	SS PIN CONTACT	
1 PLC ±-		108-137059	SIZE	
2 PLC ±-		APPLICATION SPEC	CAGE CODE	
3 PLC ±-		114-137059	DRAWING NO	
4 PLC ±-		WEIGHT	RESTRICTED TO	
ANGLES ±-		-	A300779	
FINISH		G-T2400001XX0000		-
MATERIAL		CUSTOMER DRAWING		SCALE 3:2
-		SHEET 2 OF 2		REV B1
-				

printed on 4 Jan 2022 16:33 (China Standard Time) from TE152312

A

D

C

B

A

单击下面可查看定价，库存，交付和生命周期等信息

[>>TE Connectivity\(泰科\)](#)