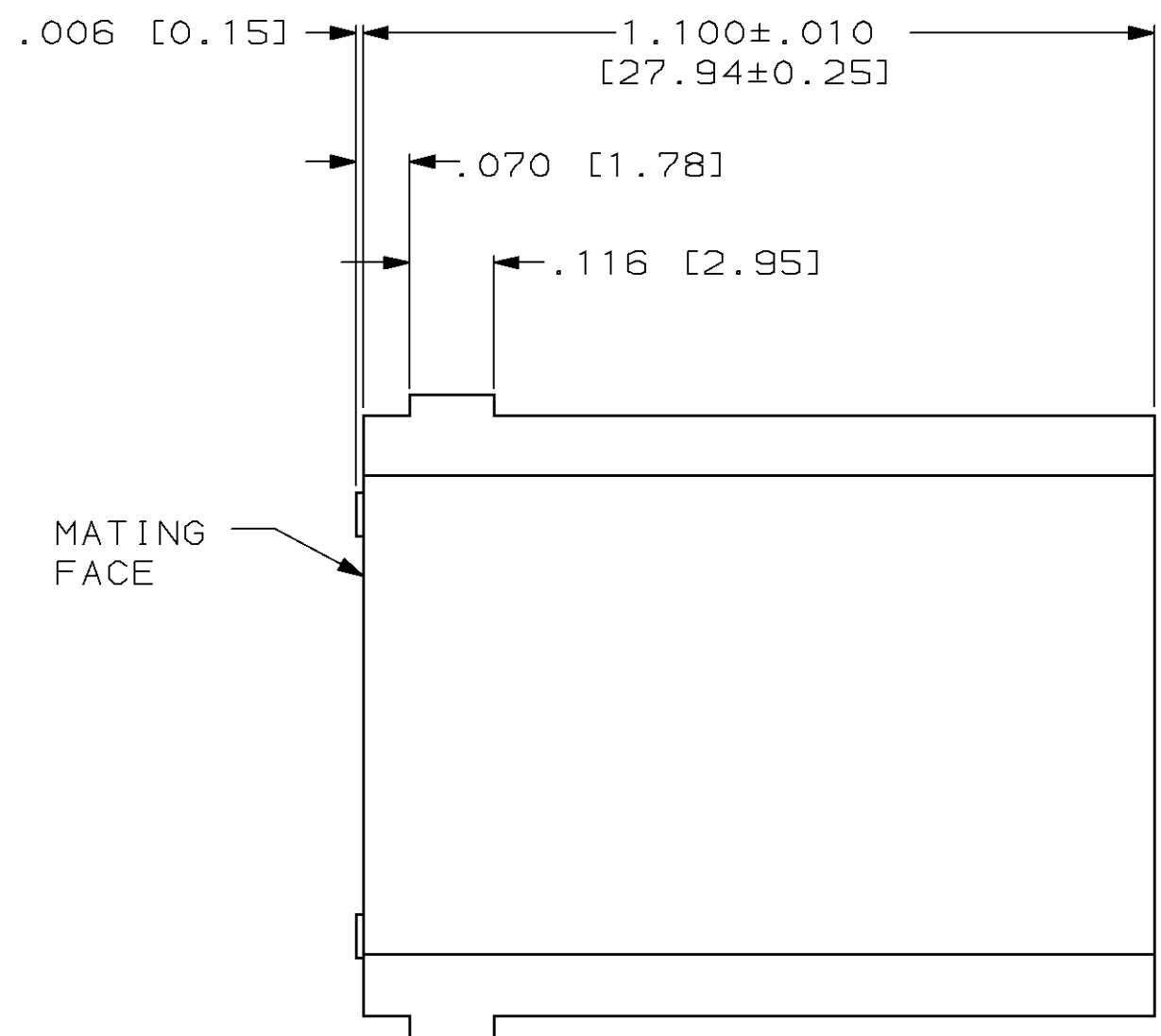
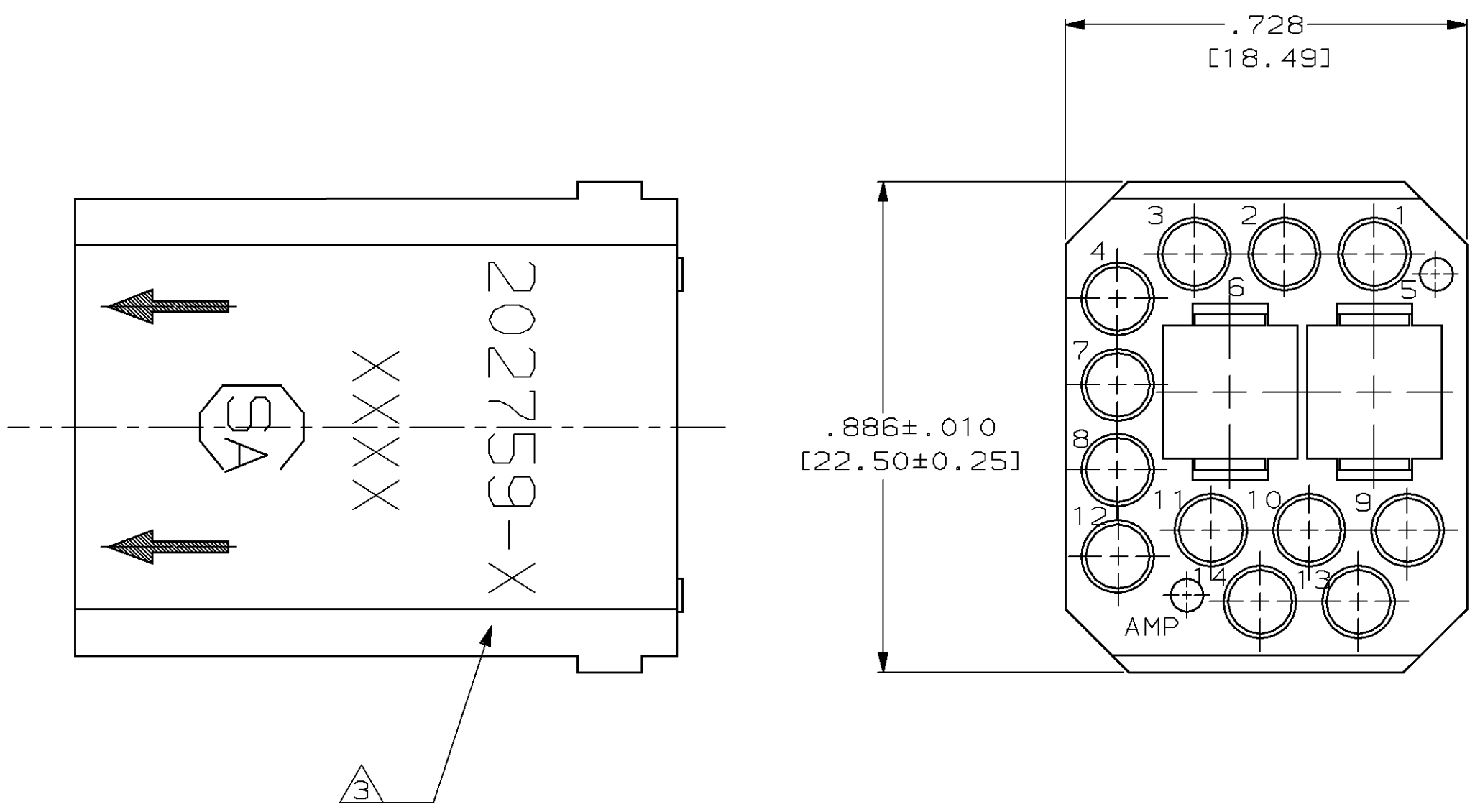


LOC	DIST	P	F	REVISIONS				
				ZONE	LTR	DESCRIPTION	DATE	APPD
DF	BO			F		REV & REDRAWN DF-4297 PY	11-91	DBM
				G		REV PER 0600-4161-95 JB	08-30-95	DBM



- ① MATERIAL: PHENOLIC PER MIL-M-14, TYPE CFG OR MFH, COLOR: BLACK
 - ② MATERIAL: DIALLYL PHTHALATE PER MIL-M-14, TYPE SDG-F, COLOR: BLUE
 - ③ AMP PART NO, DATE CODE, CSA CERT, AND ARROWS MARKED WITH WHITE INK OR BY LASER MARKING AT APPROX AREA SHOWN, EITHER SIDE
4. THIS MODULE WILL ACCOMMODATE:
 (2) TYPE XII MALE CONTACTS
 AND
 (12) SUBMINIATURE COAXICON, TYPE II SIZE 16,
 TYPE III(+) SIZE 16 OR TYPE VI SIZE 16
 PIN CONTACTS
5. THIS MODULE MATES WITH 202760

②	202759-4
①	202759-2
MATERIAL	PART NUMBER

DO NOT SCALE PRINT. UNLESS SPECIFIED DIMENSIONS IN INCHES [mm] TOLERANCES ON : 2 PLC DEC ± - 3 PLC DEC ± .005 ANGLES ± -		DR 9-12-91 P. YEAGER		AMP Incorporated Harrisburg, PA 17105-3608	
MATERIAL SEE TABLE		CHK 11-12-91 D.B. MUMMEY			
FINISH -		APPD 11-12-91 D.B. MUMMEY		NAME MALE BLOCK G SERIES, 14 POSN	
-		APPD -		SIZE C 00779	DRAWING NO 202759
-		PRODUCT SPEC -		SCALE 4:1	SHEET 1 OF 1
-		APPLICATION SPEC -		PART NO	
-		WEIGHT -			

单击下面可查看定价，库存，交付和生命周期等信息

[>>TE Connectivity\(泰科\)](#)