

THIS DRAWING IS UNPUBLISHED.

RELEASED FOR PUBLICATION

20

© COPYRIGHT 20 BY -

ALL RIGHTS RESERVED.

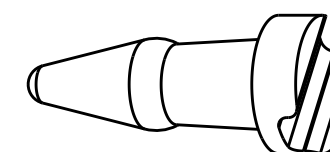
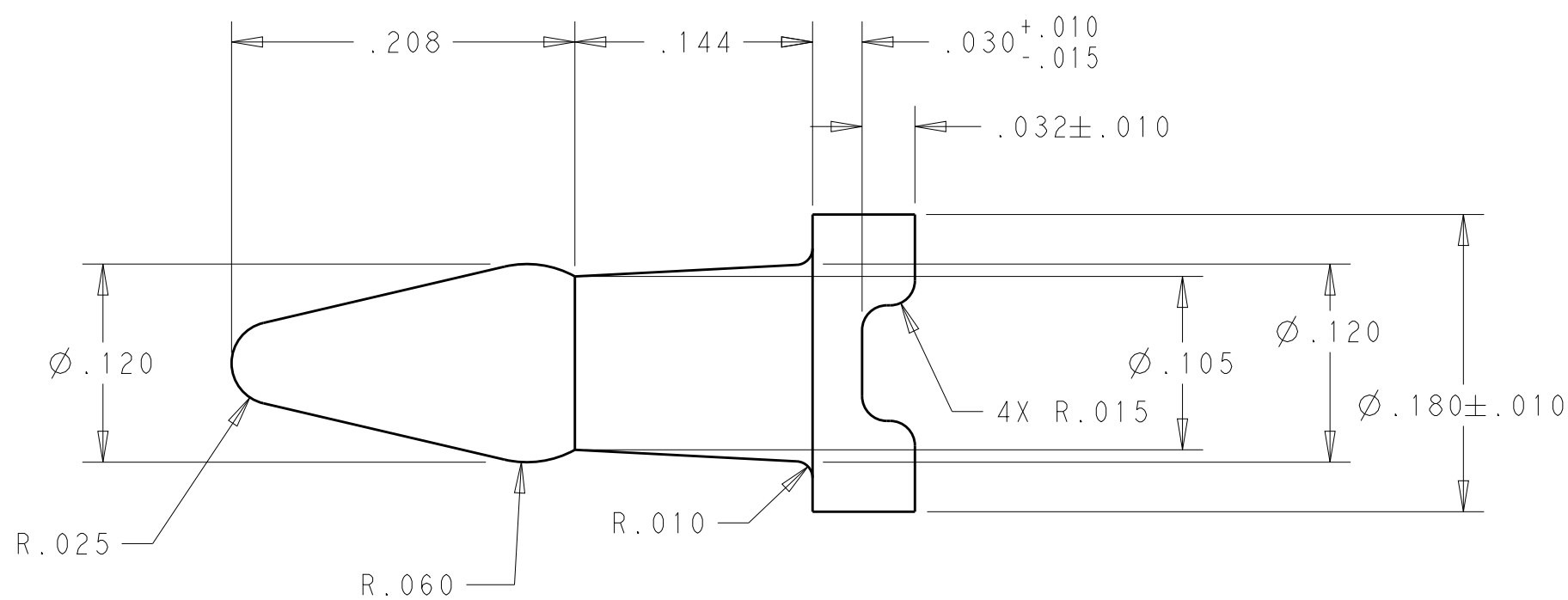
LOC CM DIST 00

REVISIONS



P	LTR	DESCRIPTION	DATE	DWN	APVD
	F1	REVISED PER ECO-13-000276	02JAN2013	RV	DS

1. CUMMINS ELECTRONICS MUST BE INFORMED BY WAY OF PRODUCT CHANGE NOTIFICATION OF ALL CHANGES TO THE TE CUSTOMER DRAWINGS

2 MATERIAL: POLYESTER PBT, 30% GLASS FILLED, BLACK



212980-1
PART NUMBER

THIS DRAWING IS A CONTROLLED DOCUMENT.		DWN R. VESTAL 02JAN2013	 TE Connectivity		
DIMENSIONS: INCHES		CHK D STRAUSSER 02JAN2013			
TOLERANCES UNLESS OTHERWISE SPECIFIED:		APVD D STRAUSSER 02JAN2013	NAME SEAL PLUG, ECMSC		
0 PLC ±- 1 PLC ±- 2 PLC ±- 3 PLC ±.005 4 PLC ±- ANGLES ±-		PRODUCT SPEC -	RESTRICTED TO -		
MATERIAL		APPLICATION SPEC 114-2125	SIZE A3	CAGE CODE 00779	DRAWING NO C-212980
FINISH -		WEIGHT -	SCALE 10:1 SHEET 1 OF 1 REV F1		
		Customer Drawing			

单击下面可查看定价，库存，交付和生命周期等信息

[>>TE Connectivity\(泰科\)](#)