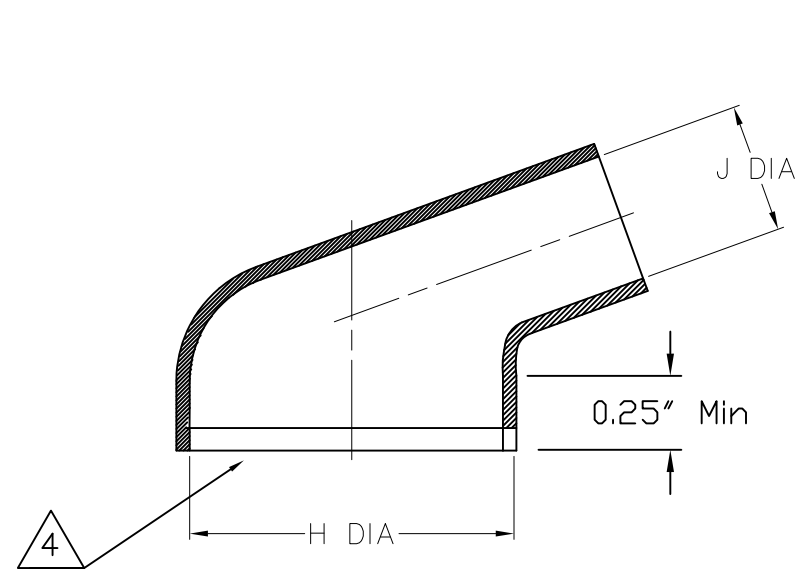


NOTES

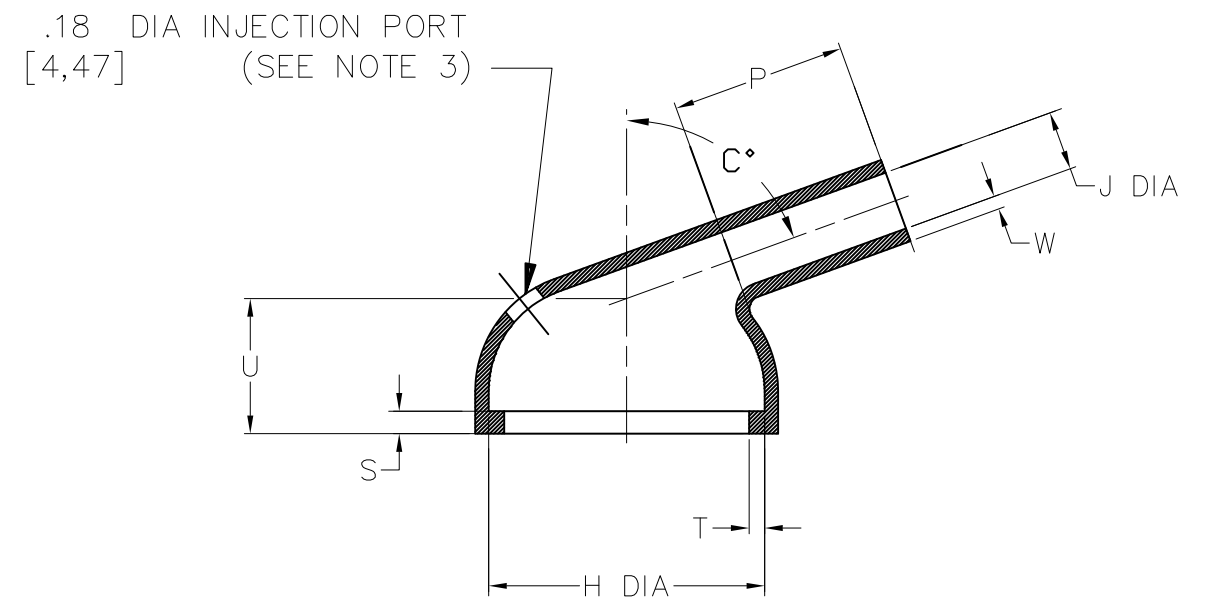
- ALL DIMENSIONS ARE IN $\frac{\text{INCHES}}{\text{[MILLIMETERS]}}$
- DIMENSIONS APPEARING IN TABLE ARE AS FOLLOWS:
 - a - AS SUPPLIED
 - b - AFTER UNRESTRICTED RECOVERY
- INJECTION PORT REQUIRED, WILL BE LOCATED AS SHOWN AND SUPPLIED WITH PLUG 002A011.
- H END TO BE 'FLAT' AS EXPANDED. WITH 2.5MM TOLERANCE.

DIMENSIONING AND TOLERANCING PER ASME Y14.5M (ISO STANDARDS)

REVISIONS		
LTR	DESCRIPTION	DATE
B	REVISED PER ECO-12-017886	10/03/2012



AS SUPPLIED



AFTER UNRESTRICTED RECOVERY

TABLE OF DIMENSIONS										
PART NUMBER	H		J		P	U	S	T	W	C°
	MIN a	MAX b	MIN a	MAX b	±10% b	±10% b	REF b	REF b	±20% b	±5% b
283A100-25-01	$\frac{1.50}{[38,1]}$	$\frac{1.35}{[34,3]}$	$\frac{.60}{[15,2]}$	$\frac{.34}{[8,6]}$	$\frac{.36}{[9,1]}$	$\frac{.60}{[15,2]}$	$\frac{.10}{[2,5]}$	$\frac{.07}{[1,8]}$	$\frac{.06}{[1,5]}$	70°

Raychem Molded Parts
CUSTOMER DRAWING

If this document is printed it becomes uncontrolled. Check for the latest revision

COMPATIBILITY CHART				
MATERIAL DASH NO.	MATERIAL DESCRIPTION	RT SPEC	COATING NO.	COATING SPEC
-25	ELASTOMER, FLUID RESISTANT	RT-1325	N/A	N/A

UNLESS OTHERWISE SPECIFIED DIMENSIONS ARE INCHES. METRIC DIMENSIONS ARE IN BRACKETS. DECIMAL TOLERANCES .XXX ± 0.005 [0.13 mm] .XX ± 0.01 [0.25 mm] .X ± 0.1 [0.50 mm] ANGLE TOLERANCE .X ± 1 DEG.	DRAWN MMAZARIEGOS	DATE 09/25/2012	TE Connectivity	
	RPN			
THIRD ANGLE PROJECTION			SIZE B	CODE IDENT. NO. 06090
© 2012 Tyco Electronics Corporation. All rights reserved.			DWG. NO. 283A100-25-01	
			DO NOT SCALE THIS DRAWING	SHEET 1 OF 1

单击下面可查看定价，库存，交付和生命周期等信息

[>>TE Connectivity\(泰科\)](#)