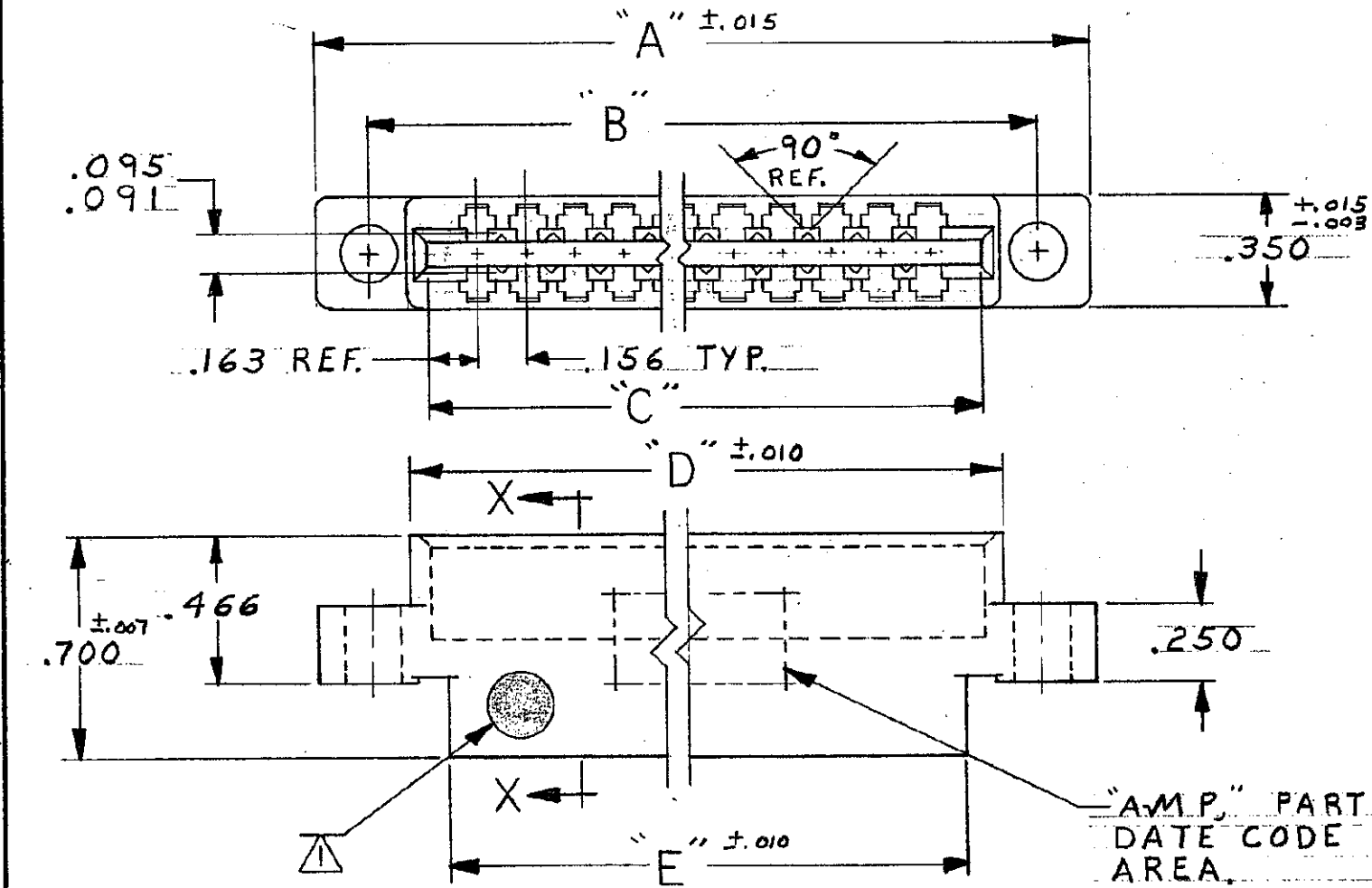
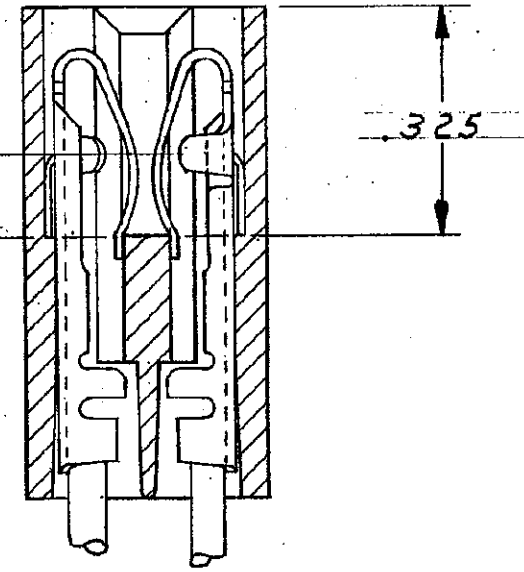


DRAWING MADE IN AMERICAN PROJECTION

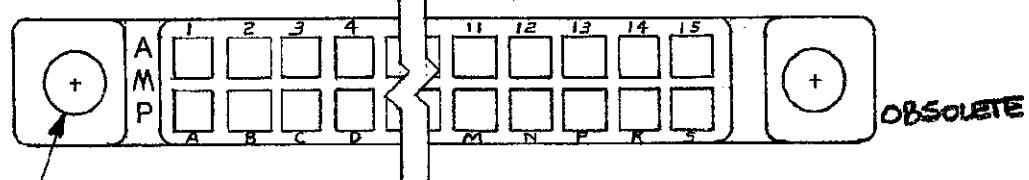
© 1961 BY AMP INCORPORATED. ALL RIGHTS RESERVED. AMP PRODUCTS COVERED BY PATENTS AND/OR PATENTS PENDING.



REVISIONS				
ZONE	LTR	DESCRIPTION	DATE	APPROVED
	AD	REDRAWN & REVISED	3270	11-17-71 m.s. d.H.
	AE	REVISED NOTE 1	7490	8-4-81
✓	AF	REV PER AD 1735		7-27-87
✓	AG	REV PER EC 0320-344-47		24 NOV 97 NS



SECTION X-X



.187 DIA. HOLE  
 2 HOLES

"AMP" PART NO. &  
 DATE CODE IN THIS  
 AREA.

480110-7	3.182	$\pm .007$ 2.854	2.506	2.621	2.376	△ 3
480110-5	3.182	$\pm .007$ 2.854	2.506	2.621	2.376	△ 3
480110-2	3.187	$\pm .0075$ 2.8590	2.510	2.625	2.380	△ 2
PART NO.	"A"	"B"	"C"	"D"	"E"	MATERIAL

- △ 1. STAMP .250  $\pm .015$  DIA. WHITE DOT ON LOWER LEFT HAND CORNER ON EITHER SIDE OF HOUSING
- △ 2. DIALLYL PHTHALATE-GLASS FILLED PER MIL-M-14 F TYPE SDG-F COLOR: BLUE.
- △ 3. PHENOLIC-COLOR BLACK.

UNLESS OTHERWISE SPECIFIED DIMENSIONS ARE IN INCHES TOLERANCES ON: DECIMALS $\pm .005$ ANGLES $\pm .005$	CONTRACT NO.	AMP INCORPORATED HARRISBURG, PENNSYLVANIA	
	DR. <i>M. Smith</i> 11-16-71	NAME HOUSING, AMP-LEAF, 15 DUAL.	
	CHK. <i>D.S. Heide</i> 11-22-71	SIZE B	CODE IDENT NO. 00779
	APPD. <i>John W. Kaufman</i> 11-27-71	NUMBER 480110	SHEET 1 OF 1
MATERIAL SEE TABLE	REI. <i>R. Sherman</i> 11-23-71	SCALE 2-1 3-1	
OTHER APPD.			

LOG FT  
 PRINT LIST 122

单击下面可查看定价，库存，交付和生命周期等信息

[>>TE Connectivity\(泰科\)](#)