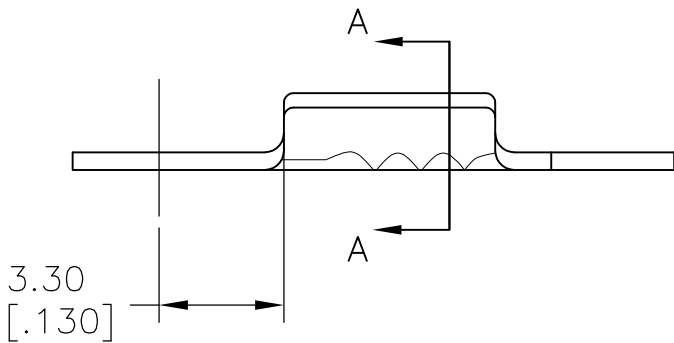
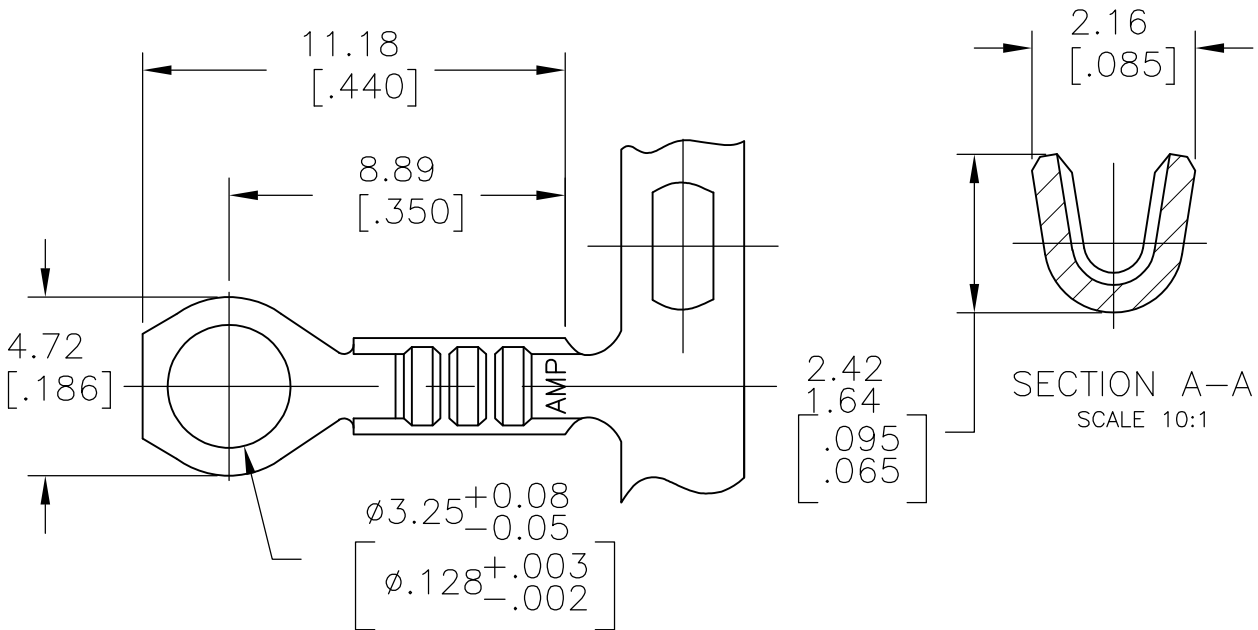


LOC	DIST	REVISIONS					
AF	50	P	LTR	DESCRIPTION	DATE	DWN	APVD
		A1		REVISED PER ECR-10-019776	22OCT10	HMR	PD

- 1 TO BE REELED FOR USE IN MINI-APPLICATOR
- 2 CONTINUOUS STRIP ON REELS
- 3 WIRE RANGE: TINSEL WIRE
- 4 INSULATION RANGE: #.035-.030



OBSOLETE	640189-2
	640189-1
PART NUMBER	

THIS DRAWING IS UNPUBLISHED. ALL INTERNATIONAL RIGHTS RESERVED. BY TYCO ELECTRONICS CORPORATION.

DIMENSIONS: mm [INCHES]	DWN	22OCT10	MATERIAL	.014 BRASS	FINISH	-1 TIN -2 GOLD					
	CHK	22OCT10	Tyco Electronics Corporation Harrisburg, PA 17105-3608								
TOLERANCES UNLESS OTHERWISE SPECIFIED:	APVD	22OCT10	Tyco Electronics Corporation Harrisburg, PA 17105-3608								
	PRODUCT SPEC		NAME RING								
0 PLC ± -	APPLICATION SPEC		SIZE	A4	CAGE CODE	00779	DRAWING NO	C-640189	RESTRICTED TO	-	
1 PLC ± -	WEIGHT	-	CUSTOMER DRAWING								
2 PLC ± -			SCALE	4:1	SHEET	1 OF 1	REV	A1			
3 PLC ± .015											
4 PLC ± -											
ANGLES ±											

单击下面可查看定价，库存，交付和生命周期等信息

[>>TE Connectivity\(泰科\)](#)