

4

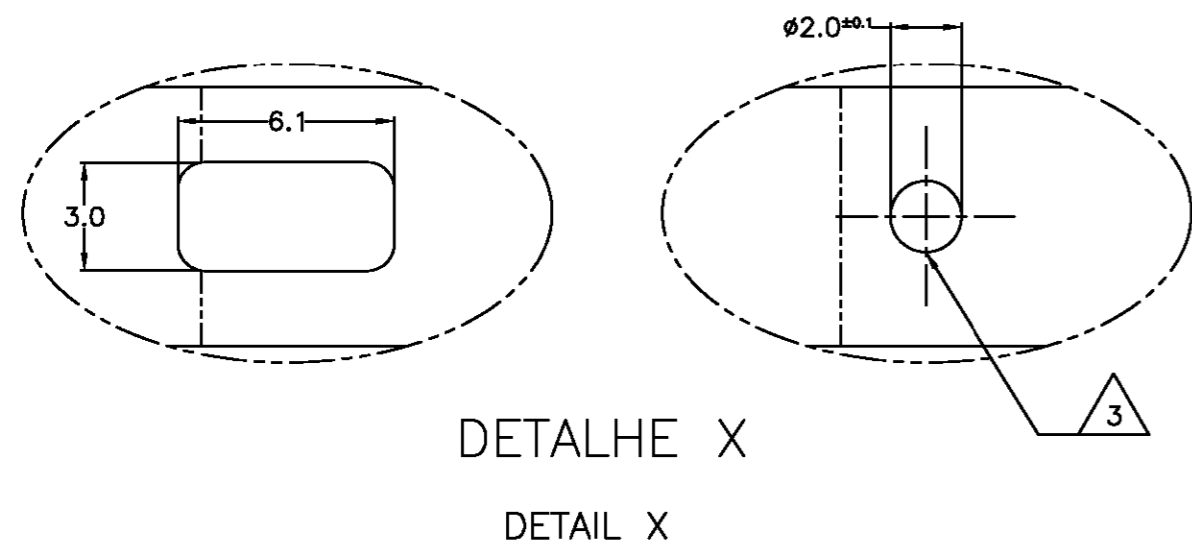
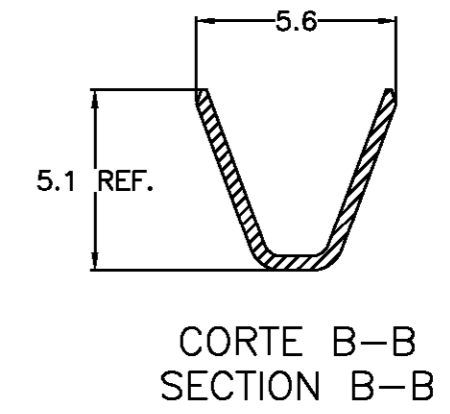
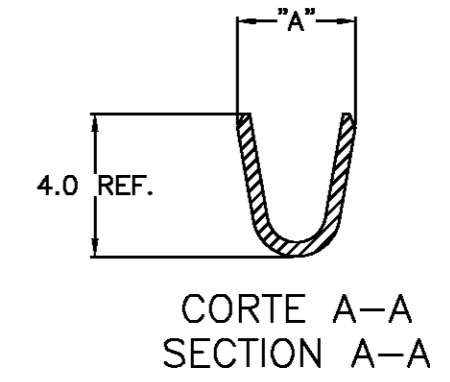
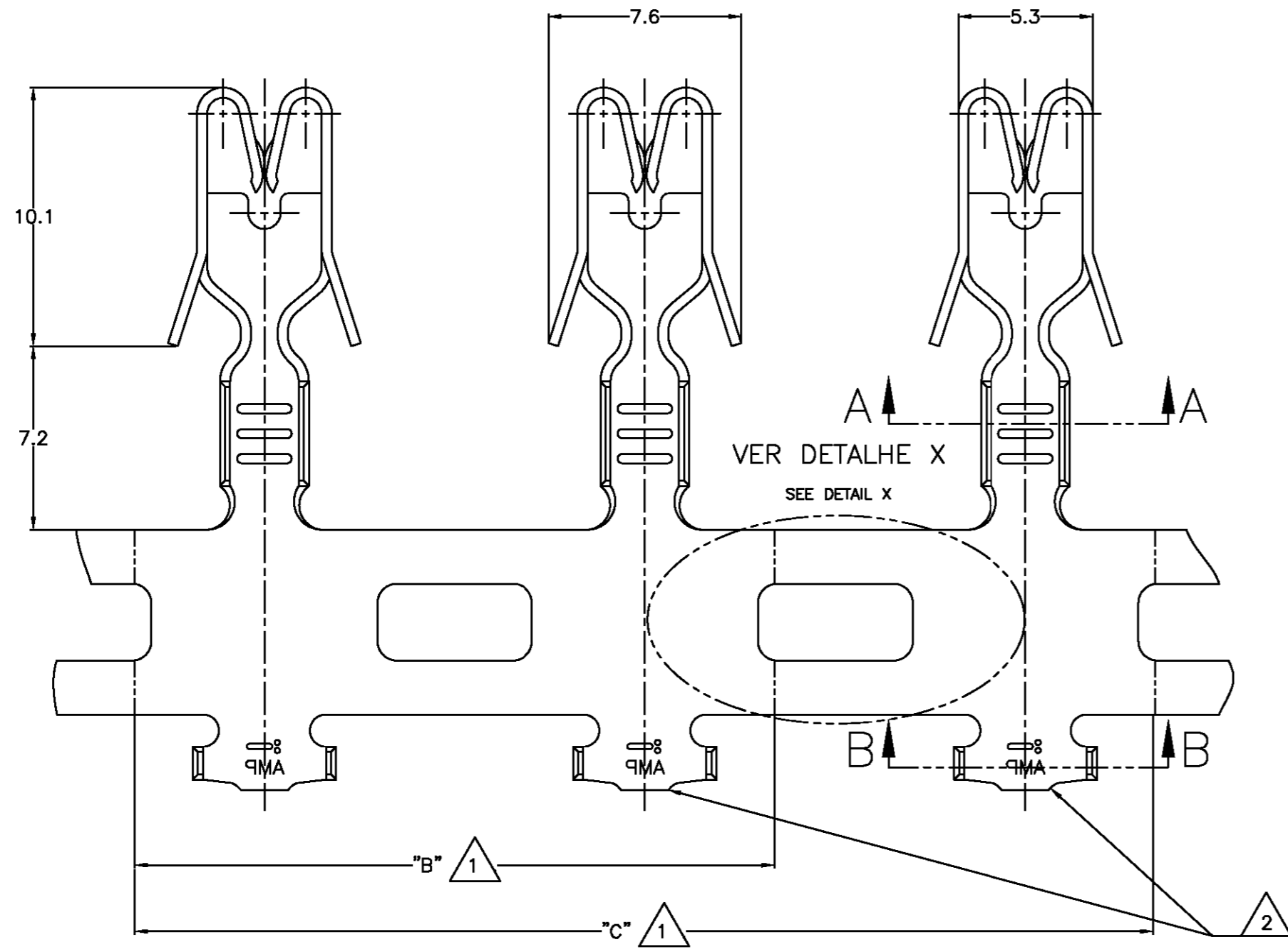
3

2

1

THIS DRAWING IS UNPUBLISHED. RELEASED FOR PUBLICATION .19 DO NOT SCALE
COPYRIGHT 19 BY AMP INCORPORATED. ALL RIGHTS RESERVED.

LOC		DIST		REVISIONS			
P	LTR	DESCRIPTION	DATE	DWN	APVD		
G		REDRAWN BY CAD ECLB0108/99	28APR99	HL	PLF		
H		REVISED BY ECLB0067/00	11DEC00	AP	PLF		
H1		REVISED PER ECO-09-026444	27NOV09	KK	AEG		



OBSOLETE →	40,2	-/-	3,9	3	ESTANHADO/TIN PLATTED	LATÃO/BRASS	H	1-626499-4	3
OBSOLETE →	40,2	-/-	3,9	3	-----/-----	LATÃO/BRASS	H	1-626499-3	3
OBSOLETE →	40,2	-/-	3,6	3	ESTANHADO/TIN PLATTED	LATÃO/BRASS	H	1-626499-2	2
OBSOLETE →	40,2	-/-	3,6	3	-----/-----	LATÃO/BRASS	H	1-626499-1	1
OBSOLETE →	-/-	25,2	3,9	2	ESTANHADO/TIN PLATTED	LATÃO/BRASS	H	626499-4	3
	-/-	25,2	3,9	2	-----/-----	LATÃO/BRASS	H	626499-3	3
	-/-	25,2	3,6	2	ESTANHADO/TIN PLATTED	LATÃO/BRASS	H	626499-2	2
	-/-	25,2	3,6	2	-----/-----	LATÃO/BRASS	H	626499-1	1
	"C"	"B"	"A"	NÚMERO DE CONTATOS NUMBER OF CONTACTS	ACABAMENTO FINISH	MATERIAL	PART REV.	PART NUMBER	
	DIMENSÃO/DIMENSION								

- 1 - DIMENSÃO DE CORTE PARA APLICADOR
APPLICATOR CUT DIMENSION
- 2 - USO OPCIONAL, DE ACORDO COM A NECESSIDADE DO CLIENTE
OPTIONAL USE, ACCORDING TO THE CUSTOMER'S NEED
- 3 - PARA AMP ITÁLIA SOMENTE
FOR AMP ITALY ONLY
- 4 - OBSOLETE PARTS: OBSOLETE CIS STREAMLINING PER D.RENAUD/D.SINISI

THIS DRAWING IS A CONTROLLED DOCUMENT.

DIMENSIONS: MM

TOLERANCES UNLESS OTHERWISE SPECIFIED:

0 PLC	± -
1 PLC	± 0,25
2 PLC	± -
3 PLC	± -
4 PLC	± -
ANGLES	± -

INSUL RANGE: Ø 3,0 - 4,3mm

WIRE RANGE: 1,0 - 2,5 mm²

MATERIAL: SEE TABLE

FINISH: SEE TABLE

DWN: H.LIVERARO 22APR99

CHK: P.L.FARIA 28APR99

APVD: F.ALEXANDRONI 28APR99

NAME: AMP do BRASIL Ltda. São Paulo - Brasil

PRODUCT SPEC: FUSE CONTACT

APPLICATION SPEC: -

WEIGHT: -

SIZE: A2

CAGE CODE: 00779

DRAWING NO: C-626499

RESTRICTED TO: -

CUSTOMER DRAWING

SCALE: 5:1

SHEET: 1 OF 1

REV: H1

626499

A

单击下面可查看定价，库存，交付和生命周期等信息

[>>TE Connectivity\(泰科\)](#)