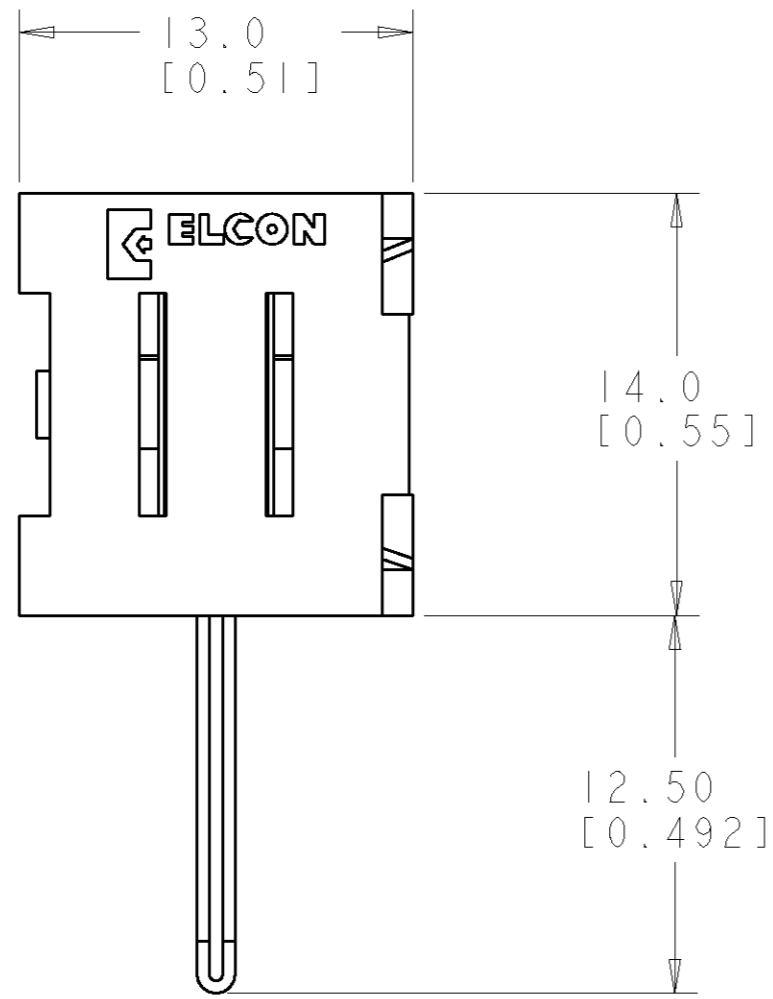


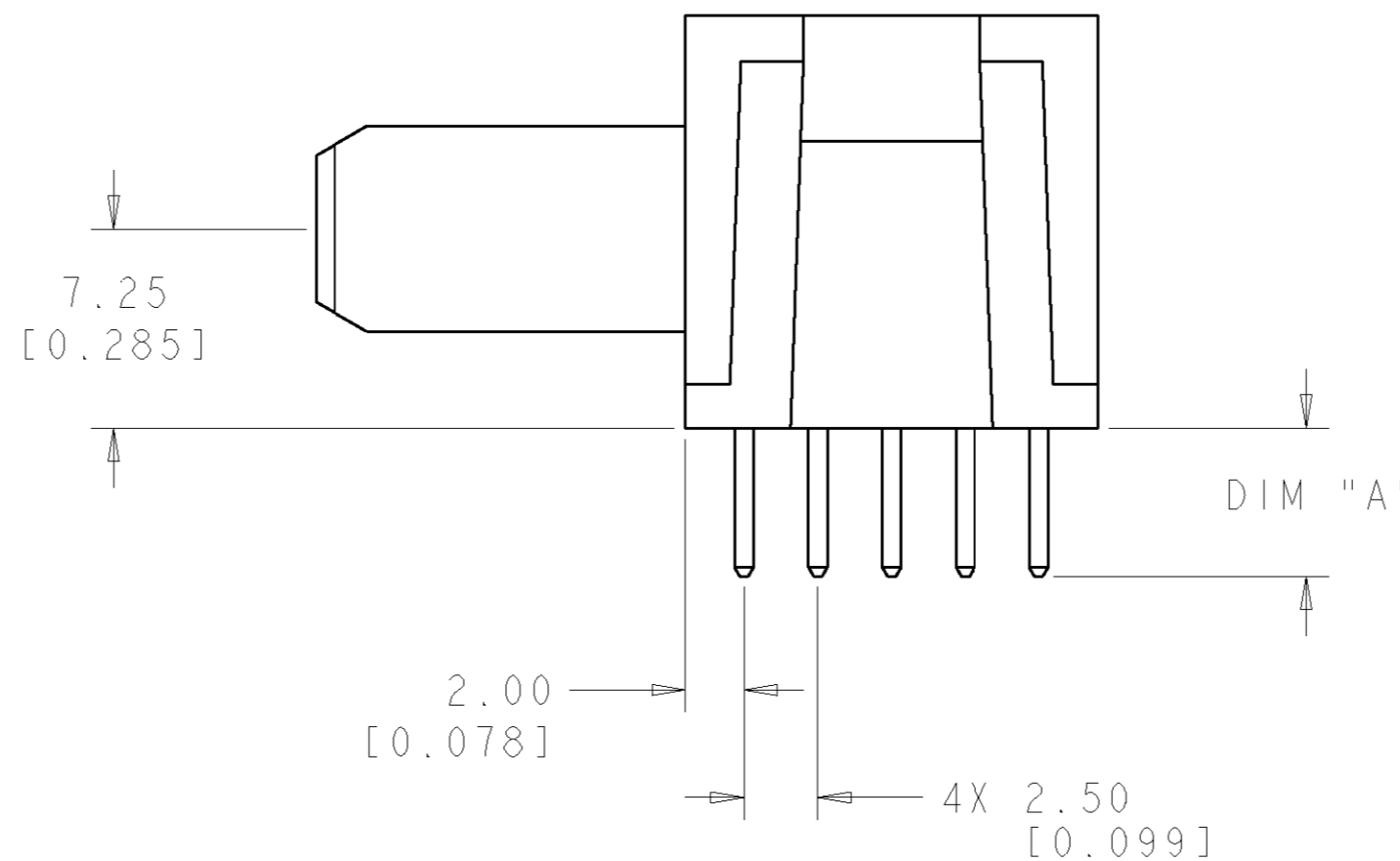
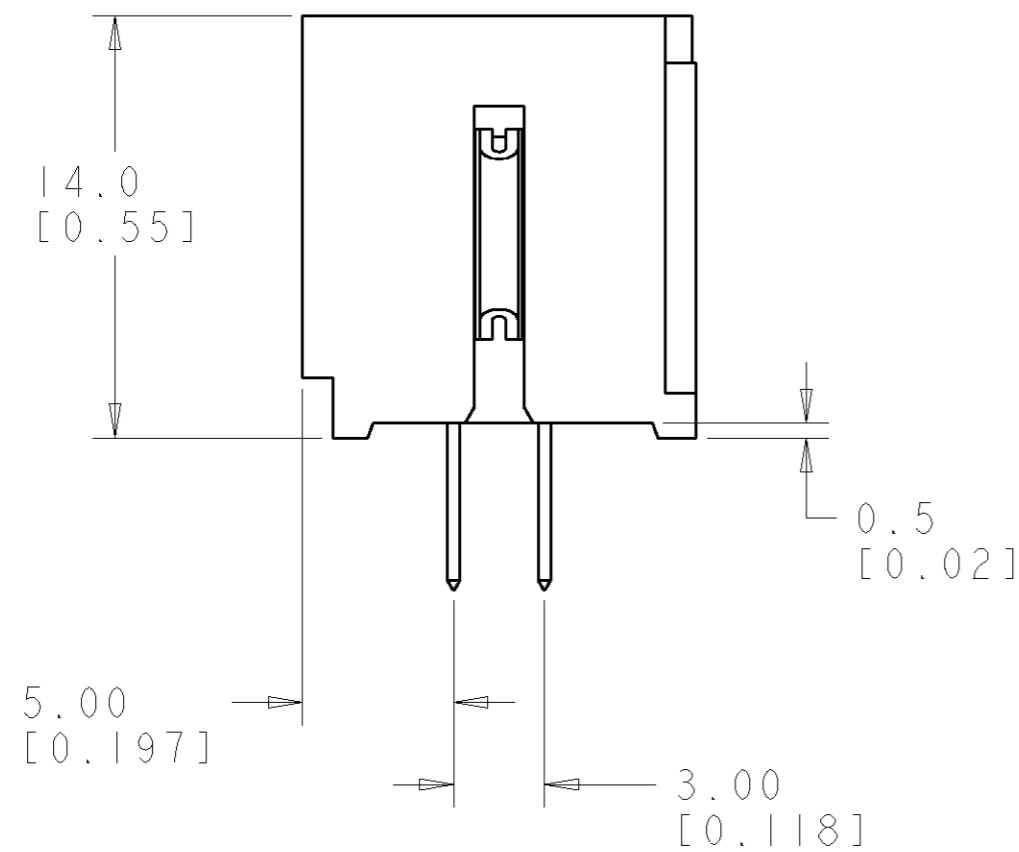
THIS DRAWING IS UNPUBLISHED. RELEASED FOR PUBLICATION 20
 © COPYRIGHT 20 BY TYCO ELECTRONICS CORPORATION. ALL RIGHTS RESERVED.

| LOC | DIST | REVISIONS | | | | | |
|-----|------|-----------|-----|-------------|-----------|-----|------|
| GP | 00 | P | LTR | DESCRIPTION | DATE | DWN | APVD |
| | | | A | RELEASED | 16 JAN 07 | RG | PD |



- PART NUMBER CHANGES AND OR DESIGN CHANGES AFFECTING ITEM INTERCHANGEABILITY REQUIRE PRIOR TYCO APPROVAL AND AUTHORIZATION BY REVISION TO THIS DRAWING.
- MATERIAL:
 INSULATORS - THERMOPLASTIC, GLASS REINFORCED, COLOR: BLACK UL94V-0 FLAMMABILITY RATED.
 POWER CONTACTS - COPPER ALLOY,
- FINISH:
 CONTACTS - GOLD PLATE 0.76 MICROMETERS MIN. THK., OVER NICKEL
 1.27 MICROMETERS MIN. THK
 SOLDER TAILS, TIN 3.05 MICROMETERS MIN. THK. OVER NICKEL
 1.27 MICROMETERS MIN. THK
- ITEMS PROVIDED TO THIS SPECIFICATION TO BE PERMANENTLY IDENTIFIED ON THE CONTAINER PER THE FOLLOWING IDENTIFIER LABEL

YEAR WEEK
 TYCO PART NO. DATE CODE (e.g. 0106)
 XXXXXXXX-X XXXX



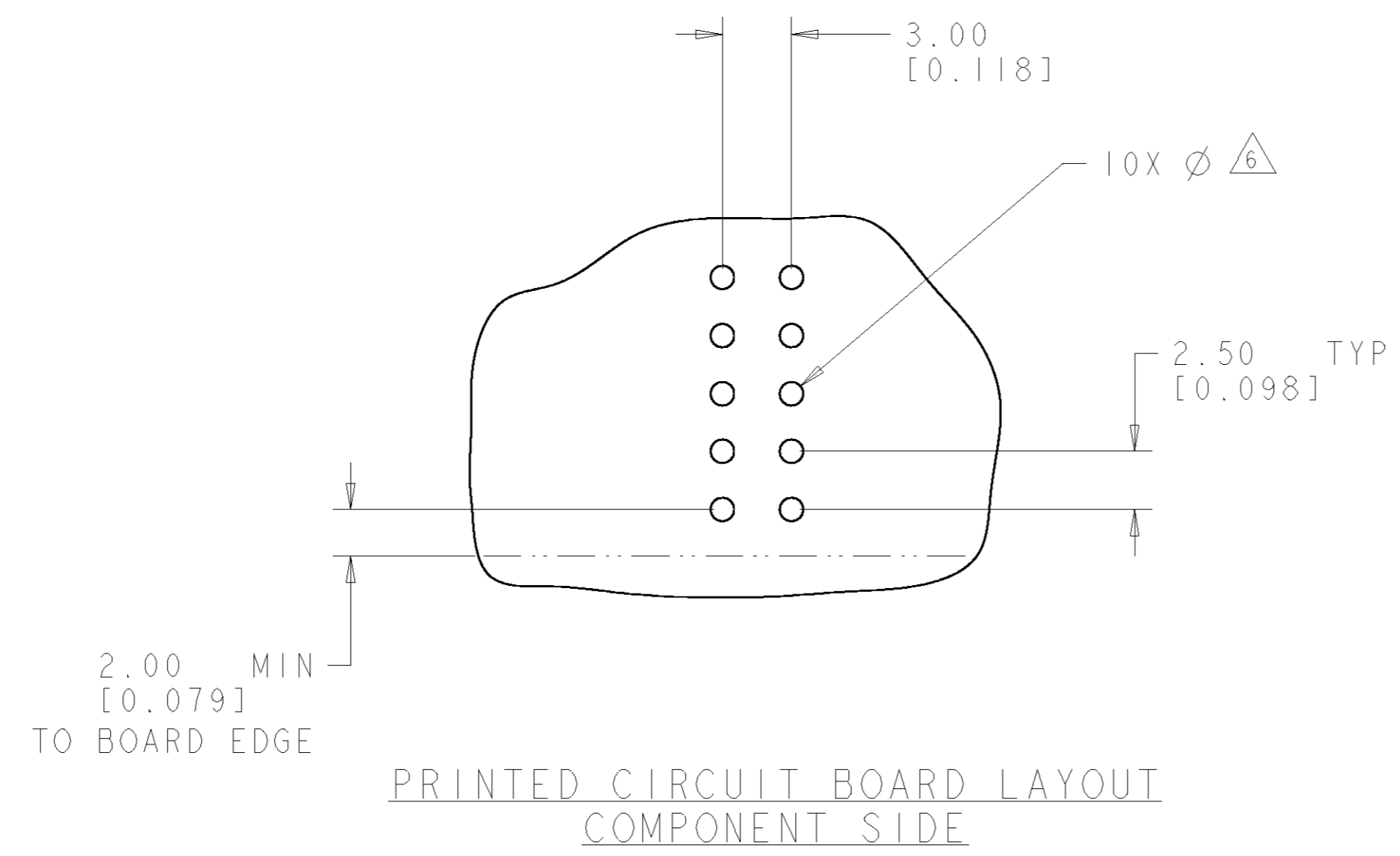
| | |
|--------------------------|-------------|
| 3.56-2.54 [.140-.100] | 1926317-2 |
| 5.08-4.06 [.200-.160] | 1926317-1 |
| DIM "A" | PART NUMBER |

| | | | | |
|--|--|------------------------------------|---|--------------------|
| THIS DRAWING IS A CONTROLLED DOCUMENT FOR TYCO ELECTRONICS CORPORATION IT IS SUBJECT TO CHANGE AND THE CONTROLLING ENGINEERING ORGANIZATION SHOULD BE CONTACTED FOR THE LATEST REVISION. | | DWN R. GRZYBOWSKI 16 JAN 07 | tyco Tyco Electronics Harrisburg, PA 17105-3608 | |
| DIMENSIONS: mm | | CHK P. DAMATO 16 JAN 07 | NAME PIN CONNECTOR, RIGHT ANGLE PREMATE, SOLDER, FPI56 FLATPAQ | |
| TOLERANCES UNLESS OTHERWISE SPECIFIED: 0 PLC ±.3 1 PLC ±.3 2 PLC ±.15 3 PLC ±.15 4 PLC ±.15 ANGLES ±.5 FINISH | | APVD S. FLICKINGER 16 JAN 07 | SIZE A2 | CAGE CODE 00779 |
| MATERIAL | | PRODUCT SPEC - | DRAWING NO 1926317 | RESTRICTED TO - |
| | | APPLICATION SPEC - | SCALE 4:1 | SHEET 1 OF 3 |
| | | WEIGHT - | REV A | |
| | | CUSTOMER DRAWING | | |

ELCON FLATPAQ

THIS DRAWING IS UNPUBLISHED. RELEASED FOR PUBLICATION 20
 © COPYRIGHT 20 BY TYCO ELECTRONICS CORPORATION. ALL RIGHTS RESERVED.

| LOC | DIST | REVISIONS | | | | | |
|-----|------|-----------|-----|-------------|------|-----|------|
| | | P | LTR | DESCRIPTION | DATE | DWN | APVD |
| GP | 00 | - | | SEE SHEET 1 | - | - | - |
| | | | | | | | |
| | | | | | | | |



| CONNECTOR | CATALOG MODULE # | QTY | SIZE NO. | CONTACT QTY | MATING PIN | MAX. CURRENT (PER CONTACT) | CONTACT SPACING | VOLTAGE RATING |
|-----------|------------------|-----|----------|-------------|------------------------------|----------------------------|-----------------|----------------|
| PIN | FPI56 | 1 | 8 | 1 | 1.25 X 7.00 [.049 X .276] | 35 amps | 7.50 [.2953] | 600 |

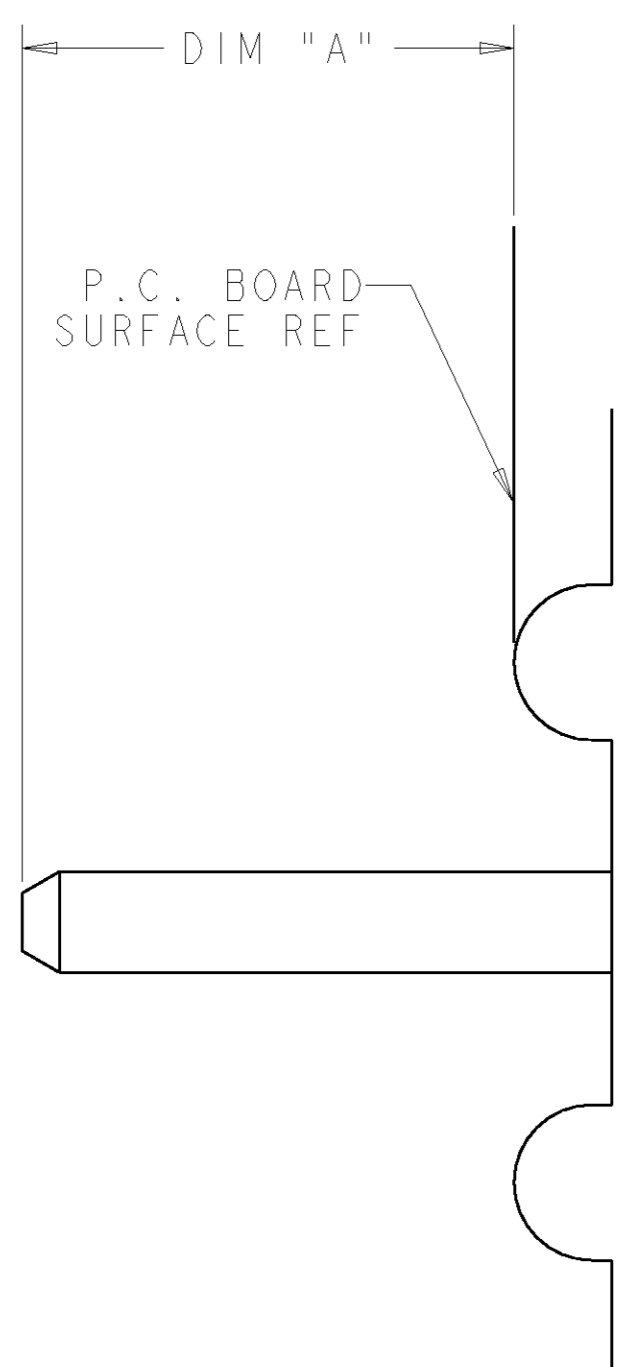
THIS DRAWING IS A CONTROLLED DOCUMENT FOR TYCO ELECTRONICS CORPORATION. IT IS SUBJECT TO CHANGE AND THE CONTROLLING ENGINEERING ORGANIZATION SHOULD BE CONTACTED FOR THE LATEST REVISION.

| | | | |
|---|--|--------------------------|--------------------|
| DWN R. GRZYBOWSKI 16 JAN 07 | Tyco Electronics Harrisburg, PA 17105-3608 | | |
| CHK P. DAMATO 16 JAN 07 | | | |
| APVD S. FLICKINGER 16 JAN 07 | | | |
| NAME PIN CONNECTOR, RIGHT ANGLE PREMATE, SOLDER, FPI56 FLATPAQ | | | |
| DIMENSIONS: mm | TOLERANCES UNLESS OTHERWISE SPECIFIED: 0 PLC ±.3 1 PLC ±.3 2 PLC ±.15 3 PLC ±.15 4 PLC ±.15 ANGLES ±.5 | | |
| MATERIAL | FINISH | | |
| PRODUCT SPEC: - APPLICATION SPEC: - WEIGHT: - CUSTOMER DRAWING | | | |
| SIZE A2 | CAGE CODE 00779 | DRAWING NO. G-1926317 | RESTRICTED TO - |
| SCALE 4:1 | | SHEET 2 OF 3 | REV A |

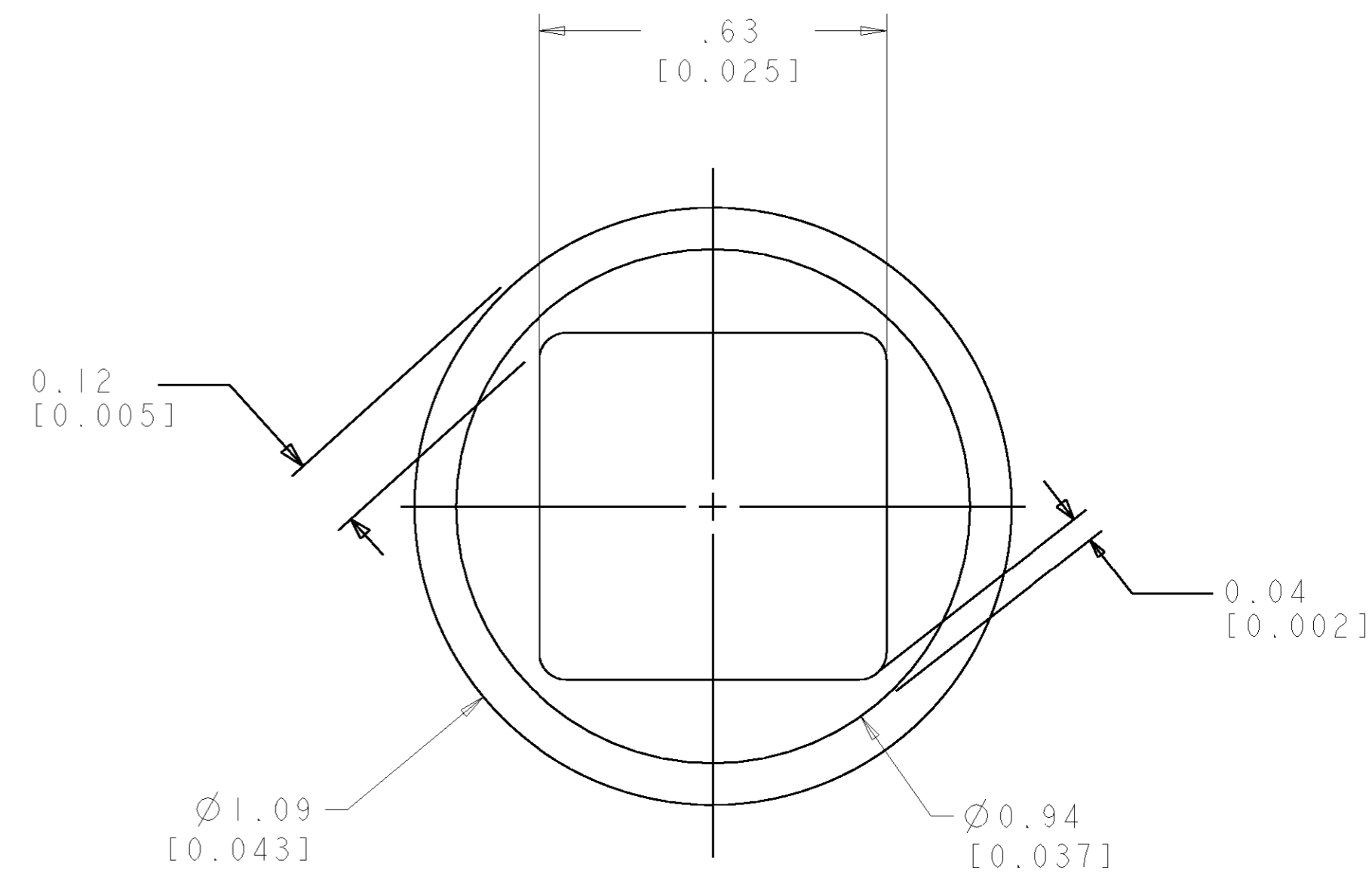
ELCON FLATPAQ

THIS DRAWING IS UNPUBLISHED. RELEASED FOR PUBLICATION 20
 © COPYRIGHT 20 BY TYCO ELECTRONICS CORPORATION. ALL RIGHTS RESERVED.

| LOC | DIST | REVISIONS | | | |
|-----|------|-------------|-------------|-----|------|
| P | LTR | DESCRIPTION | DATE | DWN | APVD |
| GP | 00 | - | SEE SHEET 1 | - | - |
| | | | | | |
| | | | | | |



5. SOLDER PIN DETAIL
SCALE 10:1



6 SOLDER TERMINATION AREA
SCALE 40:1
 RECOMMENDED PRINTED CIRCUIT SOLDER HOLE
 FINISHED HOLE: Ø 1.02 [0.040] ±.08 [0.003]
 DRILLED HOLE: Ø 1.15 [0.0453] ±.013 [0.0005]
 COPPER PLATE: .025 [0.0010] MIN
 TIN PLATE: .008 [0.0003] MIN. (PER SURFACE)

ELCON FLATPAQ

| | | | |
|---|--|--|---|
| <small>THIS DRAWING IS A CONTROLLED DOCUMENT FOR TYCO ELECTRONICS CORPORATION IT IS SUBJECT TO CHANGE AND THE CONTROLLING ENGINEERING ORGANIZATION SHOULD BE CONTACTED FOR THE LATEST REVISION.</small> | | DWN R. GRZYBOWSKI 16 JAN 07 CHK P. DAMATO 16 JAN 07 APVD S. FLICKINGER 16 JAN 07 | tyco Tyco Electronics Electronics Harrisburg, PA 17105-3608 |
| DIMENSIONS: mm | TOLERANCES UNLESS OTHERWISE SPECIFIED: 0 PLC ±.3 1 PLC ±.3 2 PLC ±.15 3 PLC ±.15 4 PLC ±.15 ANGLES ±.5 FINISH | PRODUCT SPEC - APPLICATION SPEC - WEIGHT - | NAME PIN CONNECTOR, RIGHT ANGLE PREMATE, SOLDER, FPI56 FLATPAQ SIZE A2 CAGE CODE 00779 DRAWING NO. C-1926317 RESTRICTED TO - |
| MATERIAL - | | CUSTOMER DRAWING SCALE 4:1 SHEET 3 OF 3 REV A | |

单击下面可查看定价，库存，交付和生命周期等信息

[>>TE Connectivity\(泰科\)](#)