

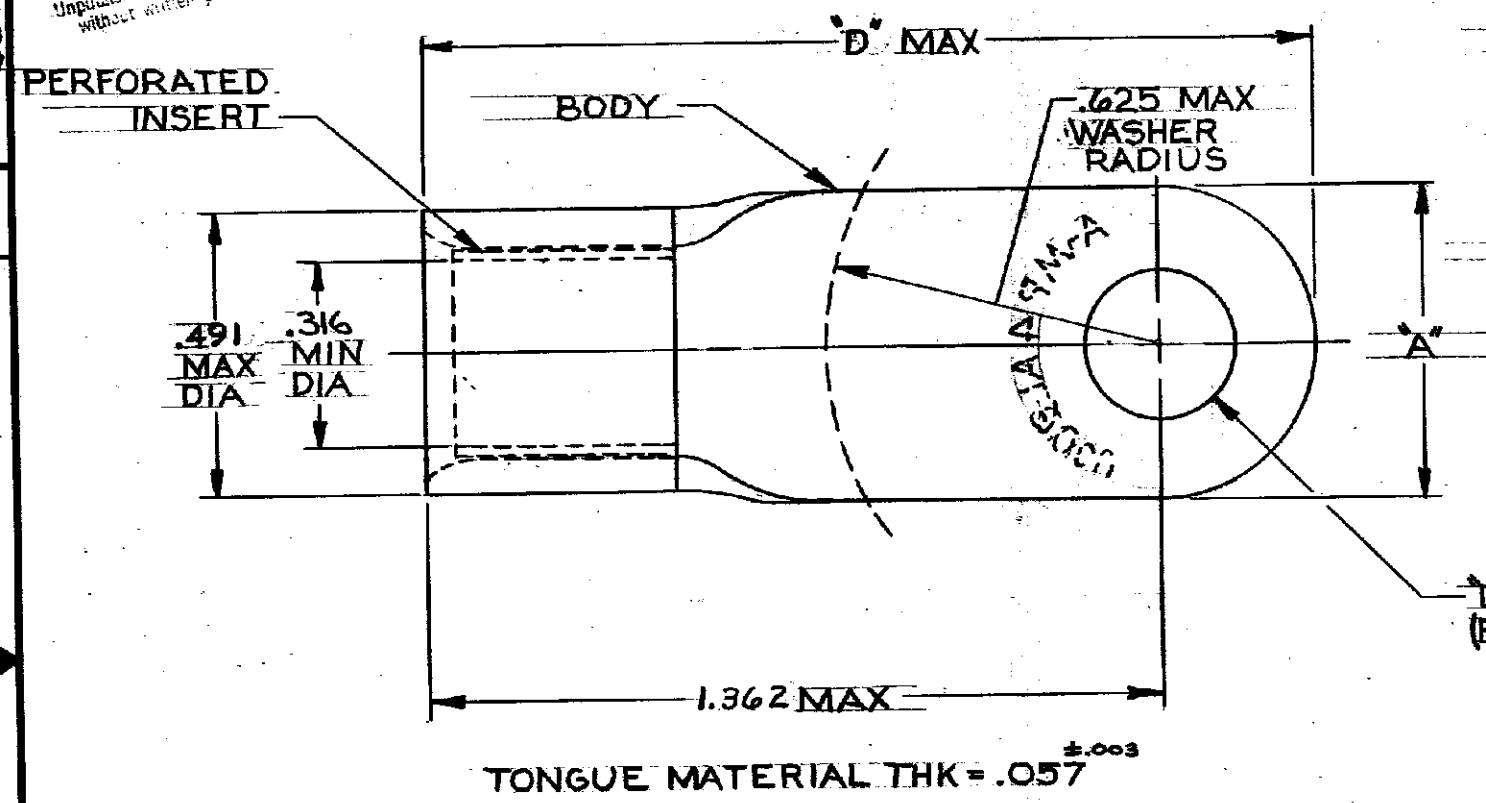
© BY AMP INCORPORATED. ALL RIGHTS RESERVED. AMP PRODUCTS, LOGO AND PATENTS AND/OR PATENT PENDING. Unpublished copy without written permission.

number 50717

S

C

B



REVISIONS				
ZONE	LTR	DESCRIPTION	DATE	APPROVED
	0	PER NPS 66-1765-1768	11/15/66	DF
	A	REMOVED ENGRG. CONT PER REV NPS 66-1765-1768	7/14/67	RHW
	B	REV TITLE PER ECN PC-5545	12-6-68	RHW
	C	ADDED 50717-4 NPS 70-0004	1-21-70	FCY
	D	REVISED P-6293	4-17-70	FCY
	E	REVISED PER ECN P-6489	3-19-70	FCY
	F	ADDED 50717-5 NPS 75-1807	12-1-75	a 12-3-75
	G	REV PER G-1651	4/10/85	ppm
	H	OBsolete 48-5 G-2508	7/23/87	ppm

TABLE I

I	WIRE TERMINAL	SEE TABLE II	INSERT: BRASS (MIL-C-50) TIN PL (MIL-T-10727) .0003 MIN THK
			BODY: COPPER (QQ-C-576) TIN PL (MIL-T-10727)
QTY REQD	DESCRIPTION	PART NO.	MATERIAL & FINISH
UNLESS OTHERWISE SPECIFIED DIM. ARE IN INCHES. TOLERANCES ON: DECIMALS ±.008 ANGLES ± 5°		CONTRACT NO.	AMP INCORPORATED HARRISBURG, PENNSYLVANIA
MATERIAL		DR. <i>A.C. Youngblood</i> 11-11-66	NAME: WIRE TERMINAL COPALUM-STRANDED/SOLID WIRE SIZE: #4AL-CU
SEE TABLE I		CHK. <i>J. Swabell</i> 11-15-66	
		APPD. <i>J. Swabell</i> 11-16-66	SIZE B CODE IDENT NO. 00779 NUMBER 50717
		DESIGN APPD.	SCALE 4:1 WT CALC ACTUAL SHEET 1 OF 1
		OTHER APPD.	

TABLE II

PART NO.	A	B	C	D	
50717-5	.675	.55 ±.005	1/2	1.762	OBsolete
50717-4	.531	.174 ±.003	11	1.630	
50717-3	.675	.390 ±.005	3/8	1.702	
50717-2		.328 ±.005	5/16		
50717-1	.531	.265 ±.005	1/4	1.630	
50717		.197 ±.003	10		

AMP INFO
LOC PRINT DIST
GBC

单击下面可查看定价，库存，交付和生命周期等信息

[>>TE Connectivity\(泰科\)](#)