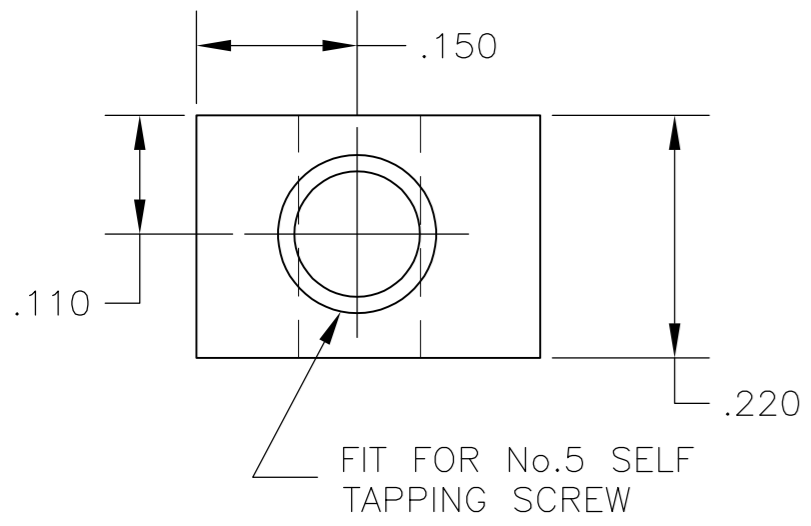
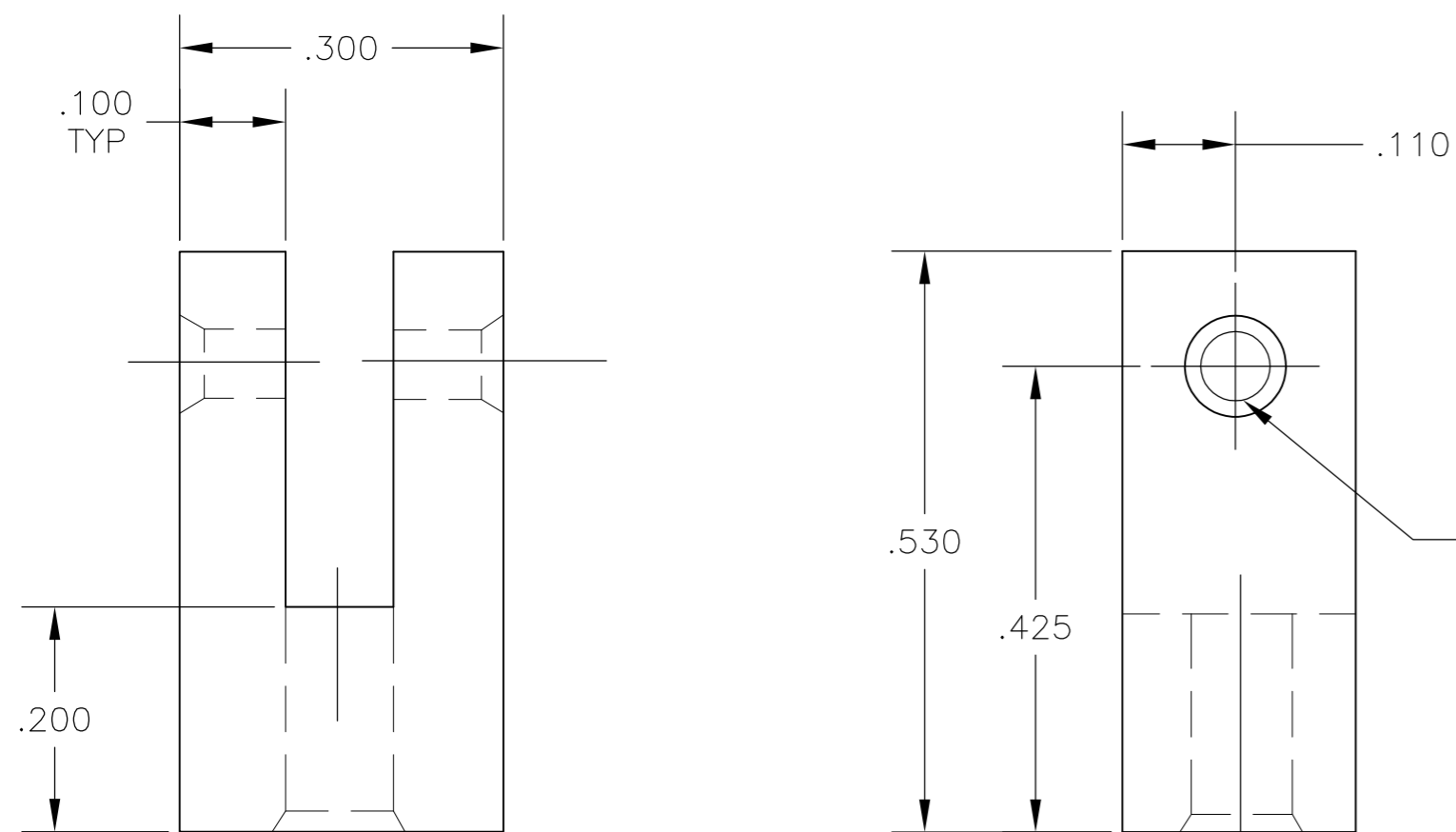


THIS DRAWING IS UNPUBLISHED. RELEASED FOR PUBLICATION
 © COPYRIGHT - By - ALL RIGHTS RESERVED.

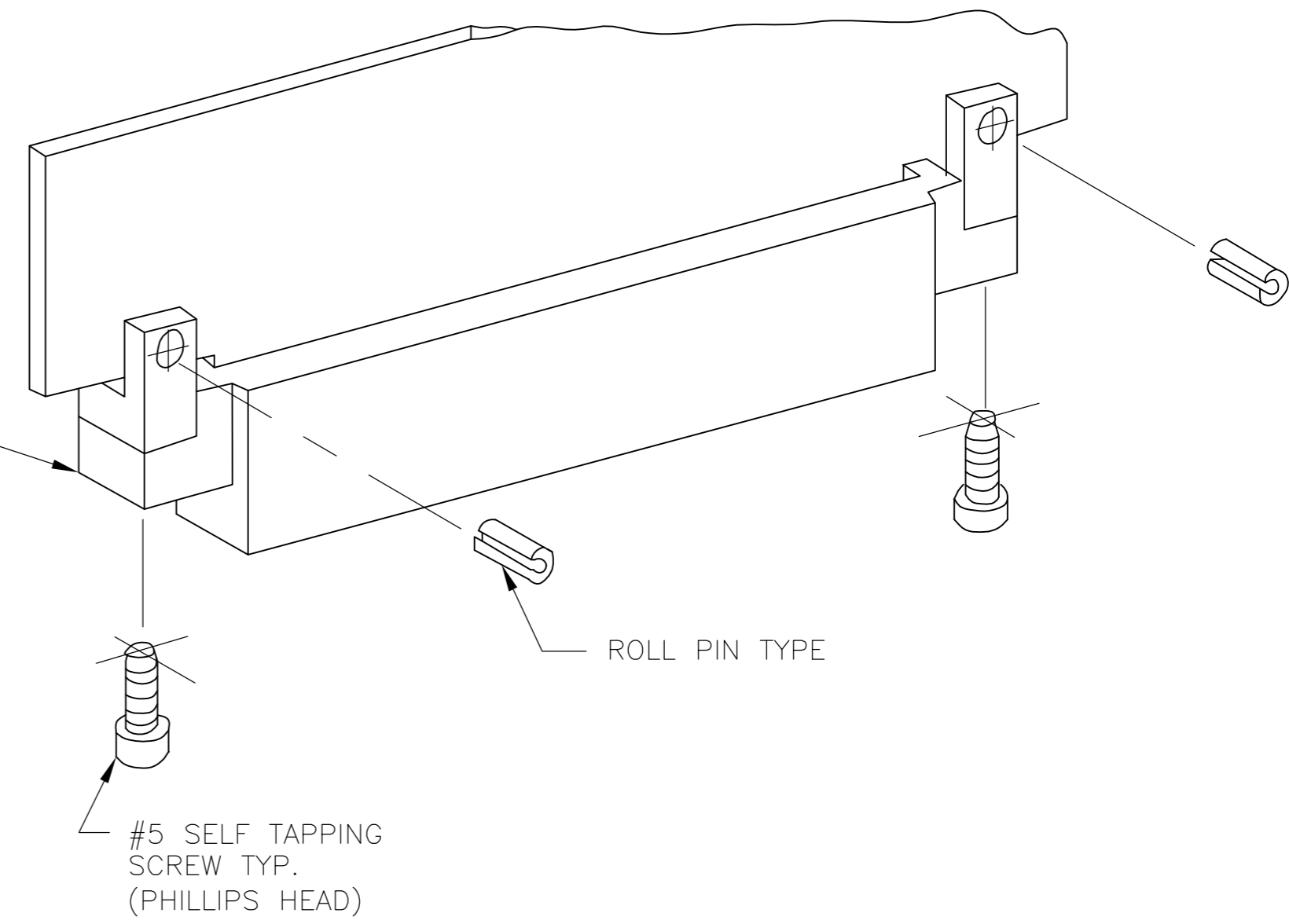
LOC	DIST	REVISIONS			
P	LTR	DESCRIPTION	DATE	DWN	APVD
AD	00	H1	REVISED PER ECO-13-014537	13SEP2013	KH MM



- SUPERSEDED $\triangle 1$ 531250-1 KIT INCLUDES: 2=531250-2, 2=SCREWS #5 X $\frac{3}{8}$ ",
2=ROLL PINS $\frac{1}{16}$ " X $\frac{1}{4}$ "
- $\triangle 2$ 531250-2 AS SHOWN (BOARD RETAINER ONLY)
- OBSOLETE $\triangle 3$ 530250-3 KIT: SAME AS 530250-2 EXCEPT HOLE DIA IS .125 IN PLACE OF
FIT FOR $\frac{1}{16}$ " ROLL PIN
- SUPERSEDED $\triangle 4$ 530250-4 KIT INCLUDES: 2=531250-2, 2=SCREWS #5 X $\frac{7}{16}$ ",
2=ROLL PINS $\frac{1}{16}$ " X $\frac{1}{4}$ "
- $\triangle 5$ 5-530250-4 KIT (LEAD FREE) INCLUDES: 2=531250-2, 2 SCREWS #5 X $\frac{7}{16}$ ",
2=ROLL PINS $\frac{1}{16}$ " X $\frac{1}{4}$ "

FIT FOR $\frac{1}{16}$ " DIA,
ROLL PIN
(531250-1 AND -2)

HOUSING REF
AMP LEAF
TWIN LEAF
MOD FORK
AMP TAB



SUPERSEDED BY 5-531250-4	$\triangle 5$	5-531250-4
	$\triangle 4$	531250-4
OBSOLETE	$\triangle 3$	531250-3
	$\triangle 2$	531250-2
SUPERSEDED BY 5-531250-4	$\triangle 1$	531250-1
		DESCRIPTION
		PART NO

THIS DRAWING IS A CONTROLLED DOCUMENT.		DWN A.M.SHARPE 11JULY78	TE Connectivity	
DIMENSIONS: INCHES	TOLERANCES UNLESS OTHERWISE SPECIFIED:	CHK RACILLA	NAME	
	0 PLC ± -	APVD RACILLA	BOARD RETAINER, CARD EDGE, I/O CONN	
	1 PLC ± -	PRODUCT SPEC	SIZE	CAGE CODE
	2 PLC ± -	APPLICATION SPEC	A2	00779
	3 PLC ± .010		DRAWING NO	RESTRICTED TO
	4 PLC ± -		C=531250	
	ANGLES ± -	WEIGHT	SCALE	SHEET
MATERIAL NYLON	FINISH		6:1	1 of 1
		CUSTOMER DRAWING	REV	H1

单击下面可查看定价，库存，交付和生命周期等信息

[>>TE Connectivity\(泰科\)](#)