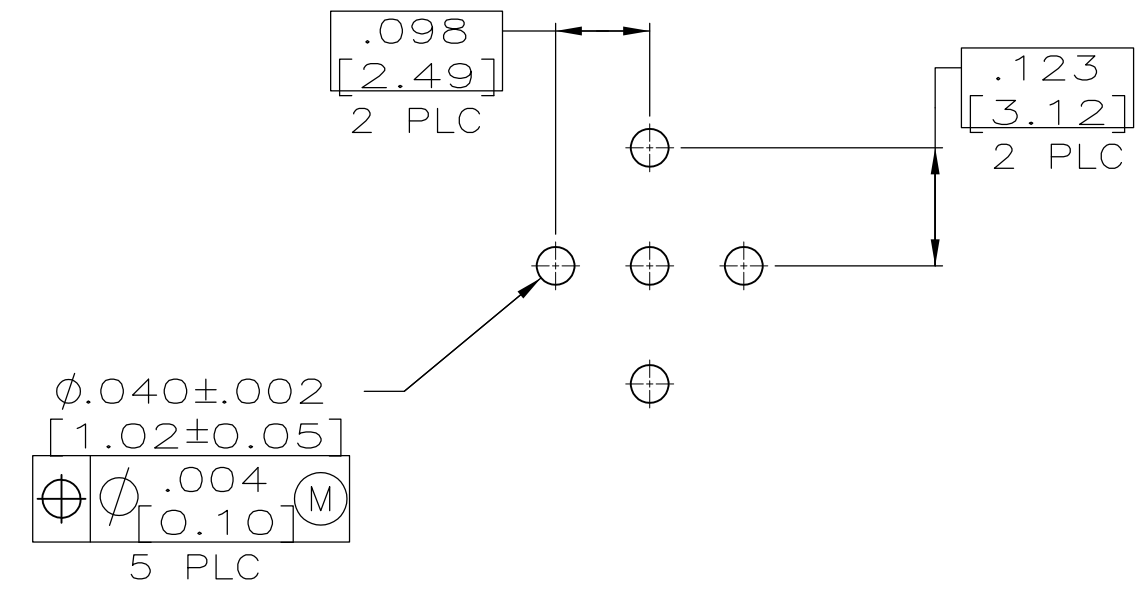
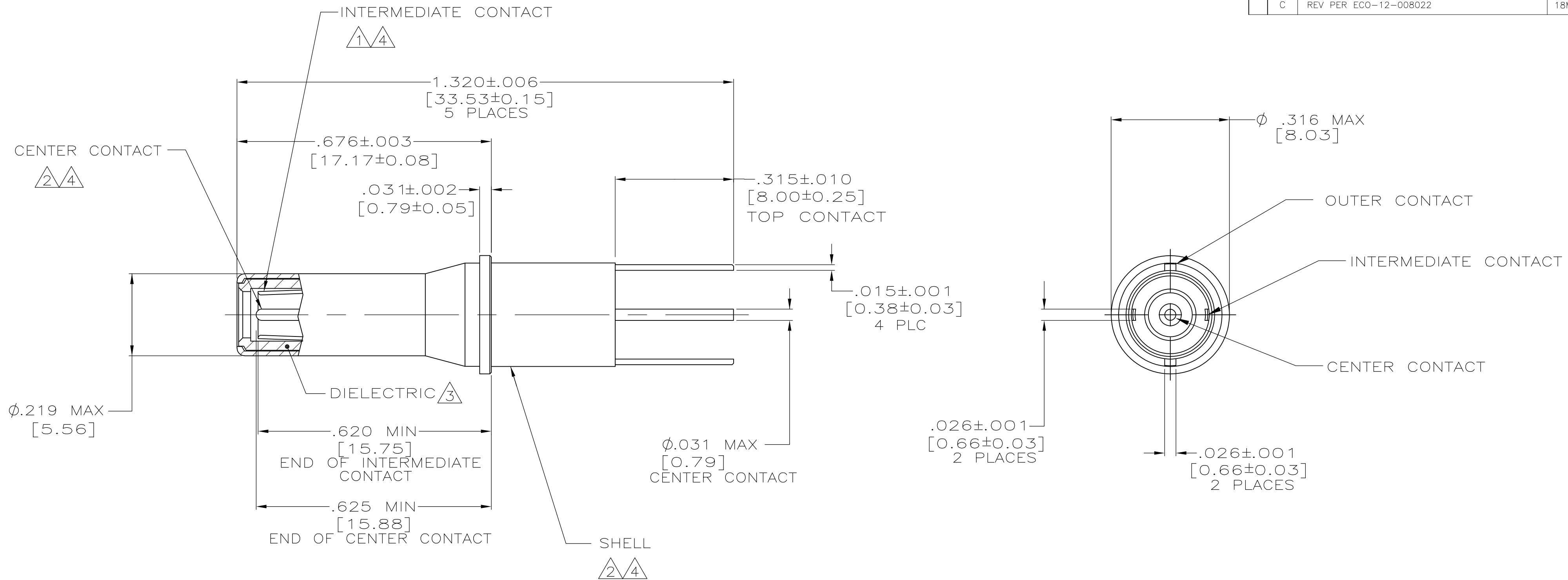


THIS DRAWING IS UNPUBLISHED. RELEASED FOR PUBLICATION
 © COPYRIGHT - By - ALL RIGHTS RESERVED.

LOC		DIST		REVISIONS			
P	LTR	DESCRIPTION		DATE	DWN	APVD	
DF	X0	C	REV PER ECO-12-008022	18MAY12	PY	RG	



- 1 BERYLLIUM COPPER PER ASTM-B-196.
- 2 BRASS PER ASTM-B-16.
- 3 TEFLON PER ASTM-D-1710.
- 4 GOLD PLATE PER MIL-G-45204 OVER NICKEL PLATE PER QQ-N-290.

THIS DRAWING IS A CONTROLLED DOCUMENT.		DWN	C.C.THOMAS	9-30-93				
DIMENSIONS: INCHES		CHK	C.SHELLY	9-30-93				
TOLERANCES UNLESS OTHERWISE SPECIFIED:		APVD	-	-	NAME			
0 PLC ± - 1 PLC ± - 2 PLC ± - 3 PLC ± - 4 PLC ± - ANGLES ± -		PRODUCT SPEC	-	-	CONTACT ASSY,PCB,PIN, SIZE 8,ARINC-TRIAx			
MATERIAL		APPLICATION SPEC	-	-	SIZE	CAGE CODE	DRAWING NO	RESTRICTED TO
FINISH		WEIGHT	-	-	A2	00779	C=447436	-
1 2 3		CUSTOMER DRAWING		SCALE	5:1	SHEET	1 of 1	REV
								C

447436

单击下面可查看定价，库存，交付和生命周期等信息

[>>TE Connectivity\(泰科\)](#)