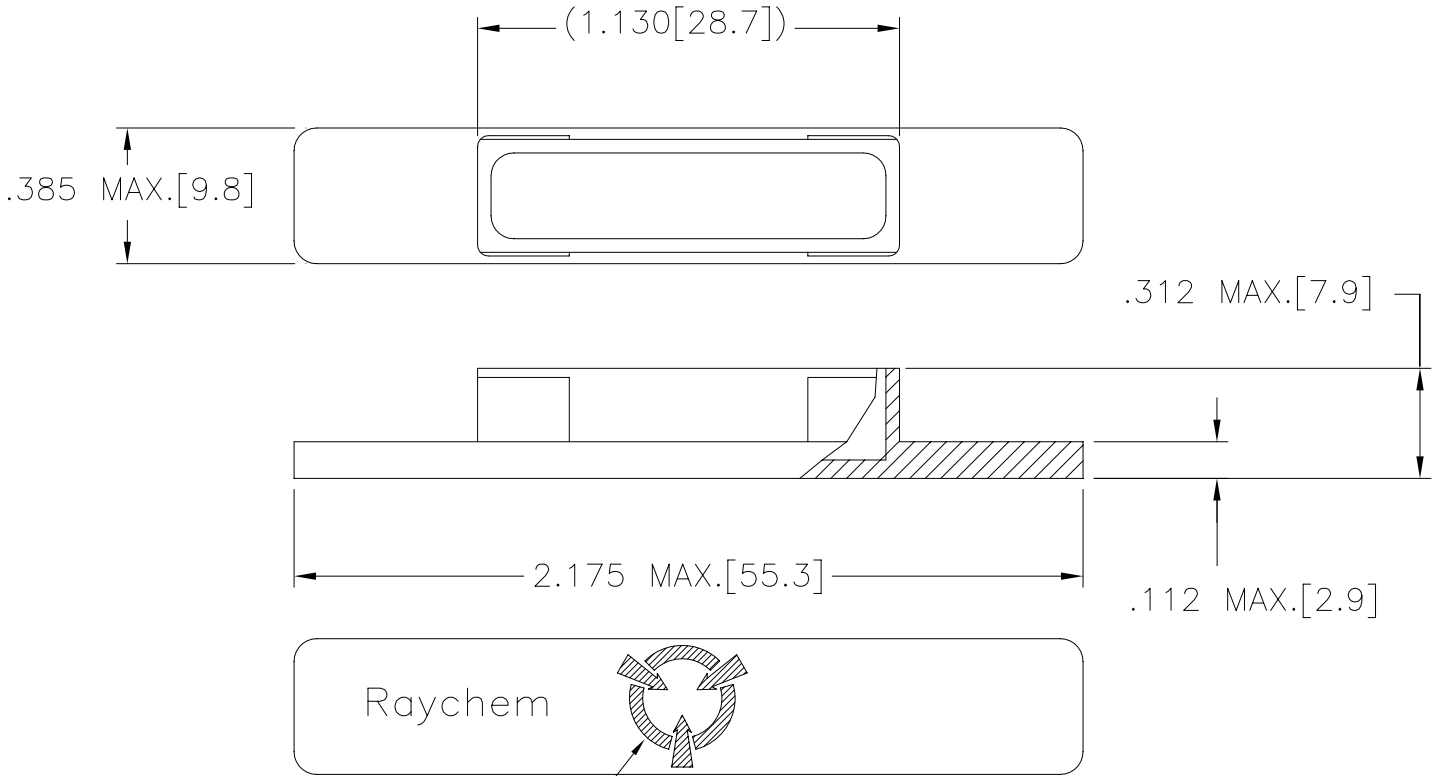


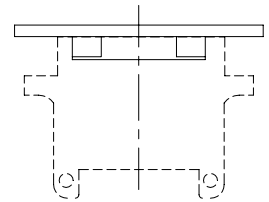
THIS DRAWING AND THE INFORMATION SET FORTH HEREON ARE THE PROPERTY OF TYCO ELECTRONICS CORPORATION AND ARE TO BE HELD IN TRUST AND CONFIDENCE. PUBLICATION, DUPLICATION, DISCLOSURE OR USE FOR ANY PURPOSE NOT EXPRESSLY AUTHORIZED IN WRITING BY TYCO ELECTRONICS CORPORATION IS PROHIBITED.

REVISION			
REV	DESCRIPTION	DATE	APPROVED
C	REVISED PER DCR# C050058	FEB/17/05	M.HIGGY



SYMBOL PER MIL-STD-1686C

VIEW SHOWING TYPICAL INSTALLATION



RECEPTACLE CONNECTOR

NOTES:

1. THIS PART IS USED WITH MTC SERIES, 1 INCH RECEPTACLE CONNECTORS.

2 MATERIAL: LNP STATKON-FE (VIRGIN ONLY).  
CONDUCTIVE HIGH DENSITY POLYETHYLENE.  
COLOR BLACK

3. RESISTIVITY OF MATERIAL: ELECTRICALLY CONDUCTIVE PER MIL-STD-1686C

4 WEIGHT: 0.003 Lbs. [ 1.32 gm.] MAXIMUM.

If this document is printed it becomes uncontrolled.  
Check for the latest revision.

SPECIFICATION CONTROL DRAWING

© 2005 Tyco Electronics Corporation.  
All rights reserved

ITEM	QTY.	PART NO	DWG OR SPEC NO	DESCRIPTION
PARTS LIST				
UNLESS OTHERWISE SPECIFIED DIMENSIONS ARE INCHES. METRIC DIMENSIONS ARE IN BRACKETS.		DRAWN ZS.ORBAN	DATE FEB-7-05	
DECIMAL TOLERANCES .XXX ± .005 [ .13 mm] .XX ± .01 [ .25 mm] .X ± [ mm]		APPROVED M.HIGGY	DATE FEB-7-05	
ANGLE TOLERANCE .X ±				TITLE CAP, DUST, CONDUCTIVE MTC SERIES, 1 INCH, RECEPTACLE COLOR BLACK
WEIGHT 		FINISH AS MOLDED		
CAD FILE C050058.DWG		THIRD ANGLE PROJECTION 		CAGE CODE: 06090
				DWG. NO. CHA-0268
				C
DO NOT SCALE THIS DRAWING				SHEET 1 OF 1

单击下面可查看定价，库存，交付和生命周期等信息

[>>TE Connectivity\(泰科\)](#)