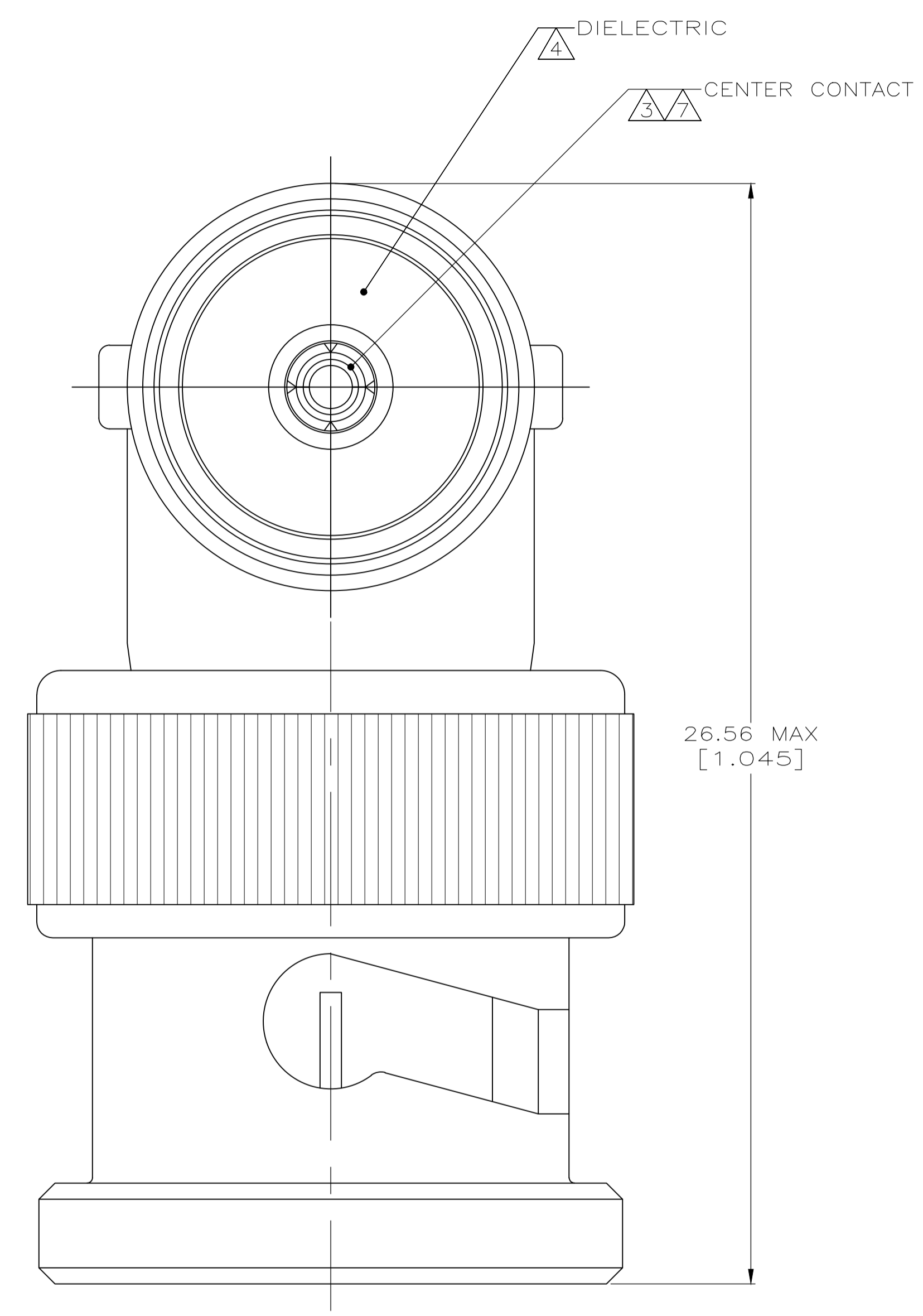
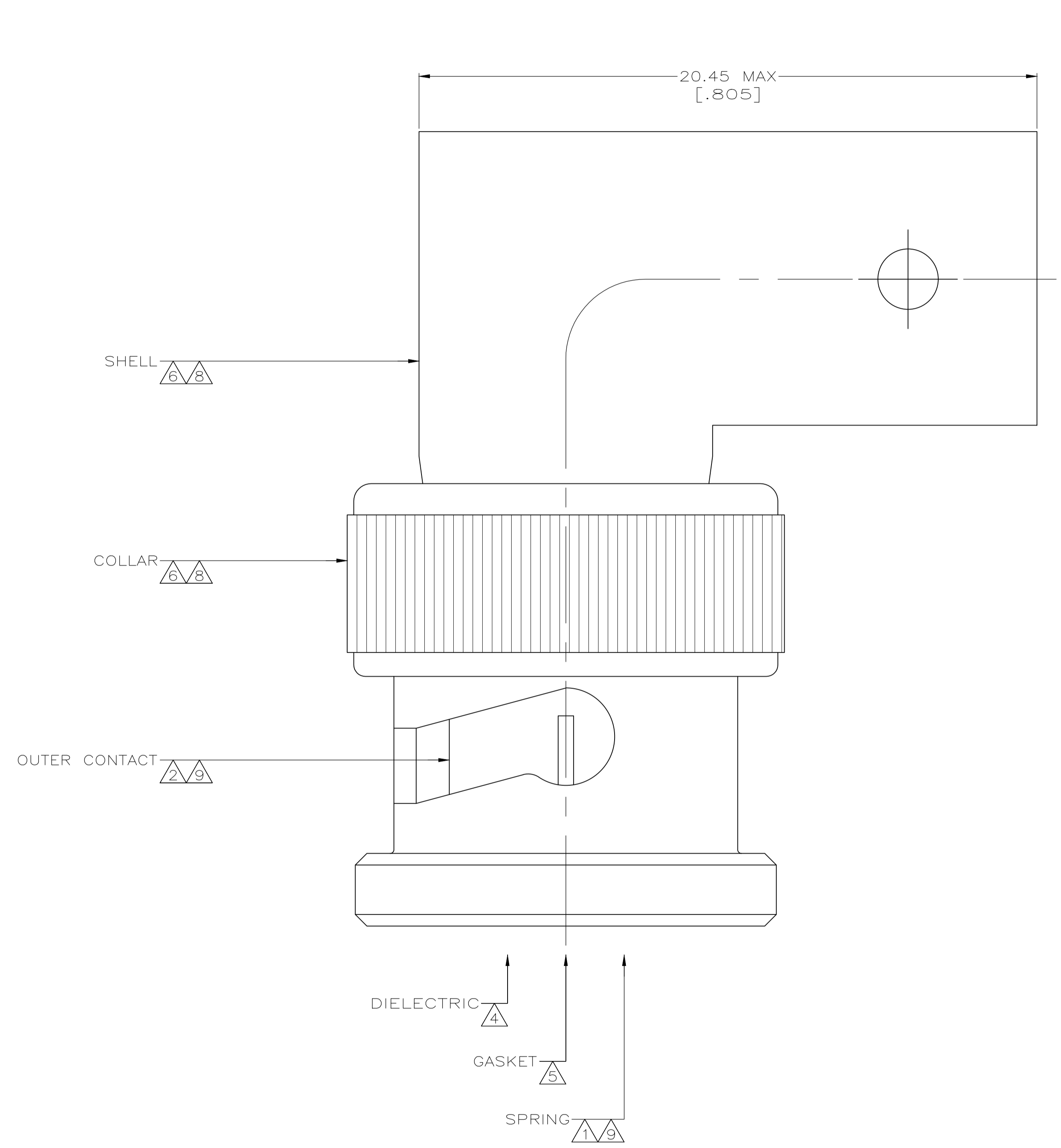


| REVISIONS |     |               |           |     |      |
|-----------|-----|---------------|-----------|-----|------|
| P         | LTR | DESCRIPTION   | DATE      | DMN | APVD |
| A1        |     | ECR-19-008686 | 25JUN2019 | RZ  | RS   |

- ① CARBON STEEL PER ASTM-A-108
- ② BRASS PER ASTM-B-16
- ③ PHOSPHOR BRONZE PER ASTM-B-139
- ④ POLYMETHYLPENTENE: GENERAL PURPOSE
- ⑤ SILICONE RUBBER PER ZZ-R-765
- ⑥ ZINC DIE CAST PER ASTM-B-86
- ⑦ GOLD PLATE PER ASTM-B-488, 0.76µm [.000030] MIN THICKNESS
- ⑧ NICKEL PLATE PER QQ-N-290, 1.27µm [.000050] MIN THICKNESS
- ⑨ NICKEL PLATE PER QQ-N-290, 2.54µm [.000100] MIN THICKNESS



5415020-1  
PART NUMBER

|   |                     |  |  |                    |
|---|---------------------|--|--|--------------------|
| THIS DRAWING IS A CONTROLLED DOCUMENT.                                      |                     | DIN<br>L. VARELA - DOCKIS<br>18APR2005 | TE Connectivity  |                    |
| DIMENSIONS:<br>mm [INCHES]  |                     | CHK<br>J. HAVENER<br>18APR2005         | NAME<br>PLUG-JACK ADAPTER,<br>RIGHT ANGLE, 75 OHM, BNC |                    |
| TOLERANCES UNLESS OTHERWISE SPECIFIED:                                      |                     | APVD<br>J. LIPPERT<br>18APR2005        | PRODUCT SPEC<br>108-12096                              |                    |
| 0 PLC ± -<br>1 PLC ± -<br>2 PLC ± -<br>3 PLC ± -<br>4 PLC ± -<br>ANGLES ± - |                     | APPLICATION SPEC                       | RESTRICTED TO  |                    |
| MATERIAL<br>SEE NOTES   | FINISH<br>SEE NOTES | WEIGHT<br>0.000000                     | SIZE<br>A1   | CAGE CODE<br>00779 |
| CUSTOMER DRAWING  |                     | DRAWING NO<br>5415020                  | SCALE<br>10:1  |                    |
|   |                     | SHEET<br>1 of 1                        |  | REV<br>A1          |

单击下面可查看定价，库存，交付和生命周期等信息

[>>TE Connectivity\(泰科\)](#)