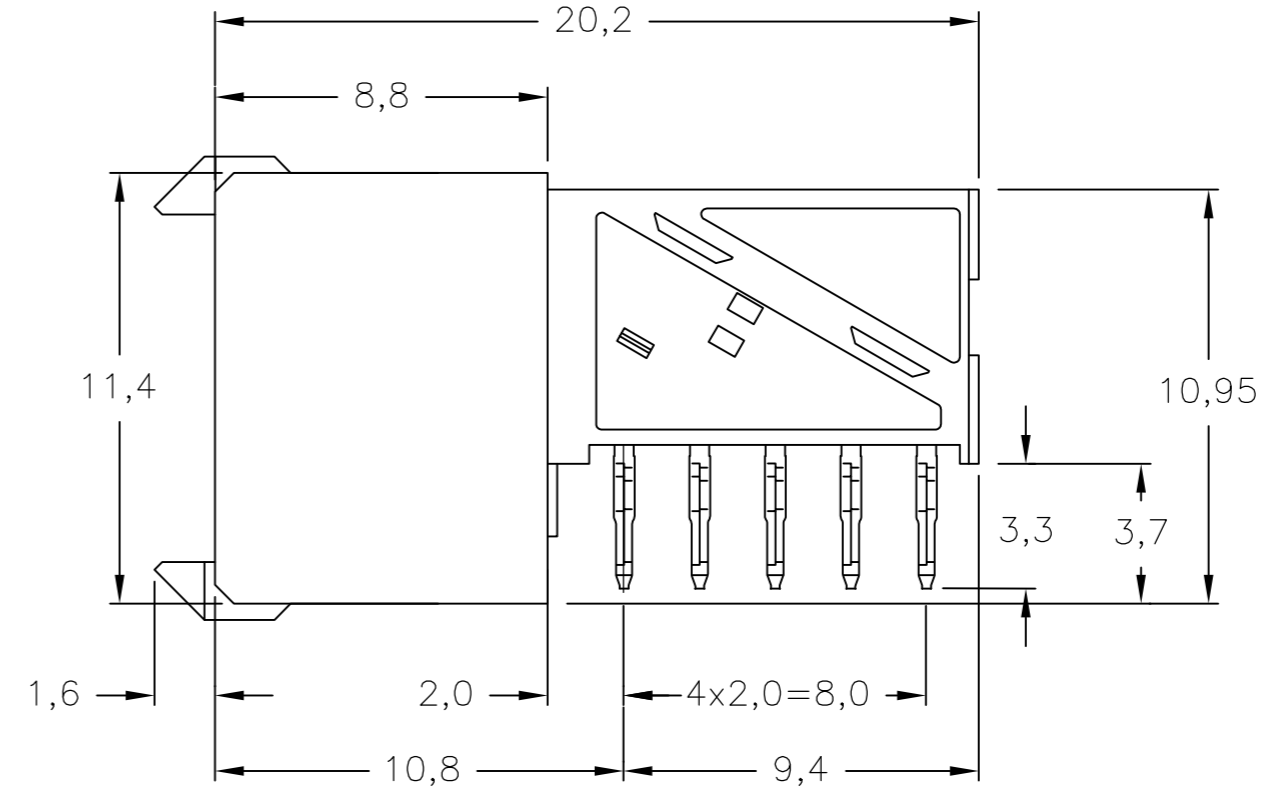
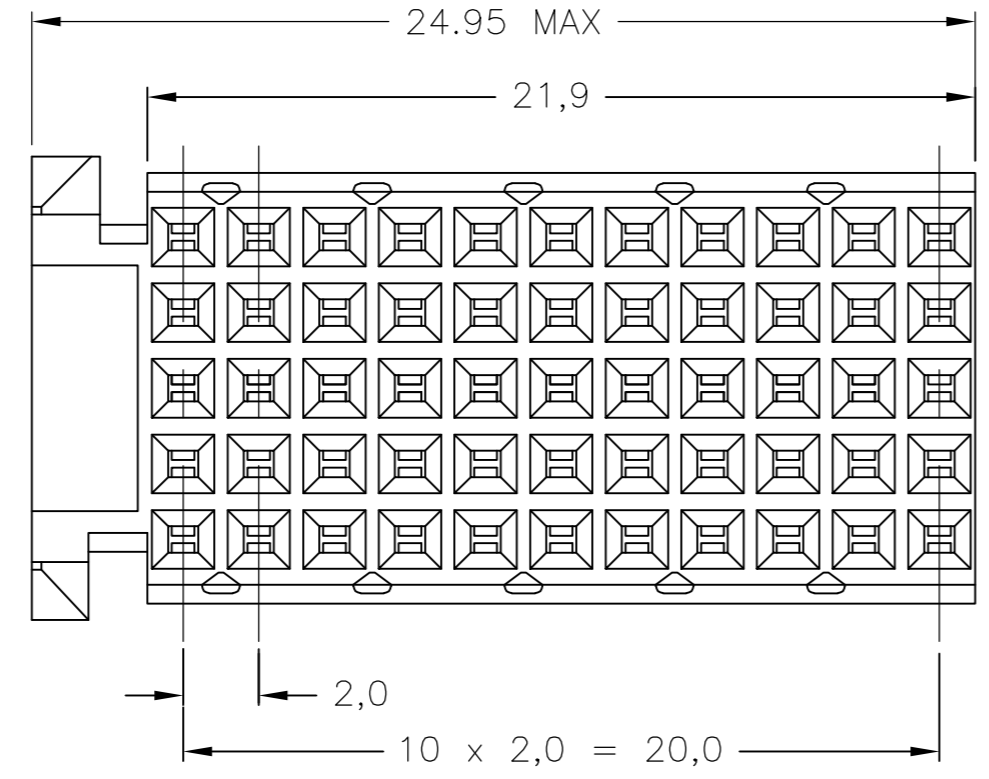
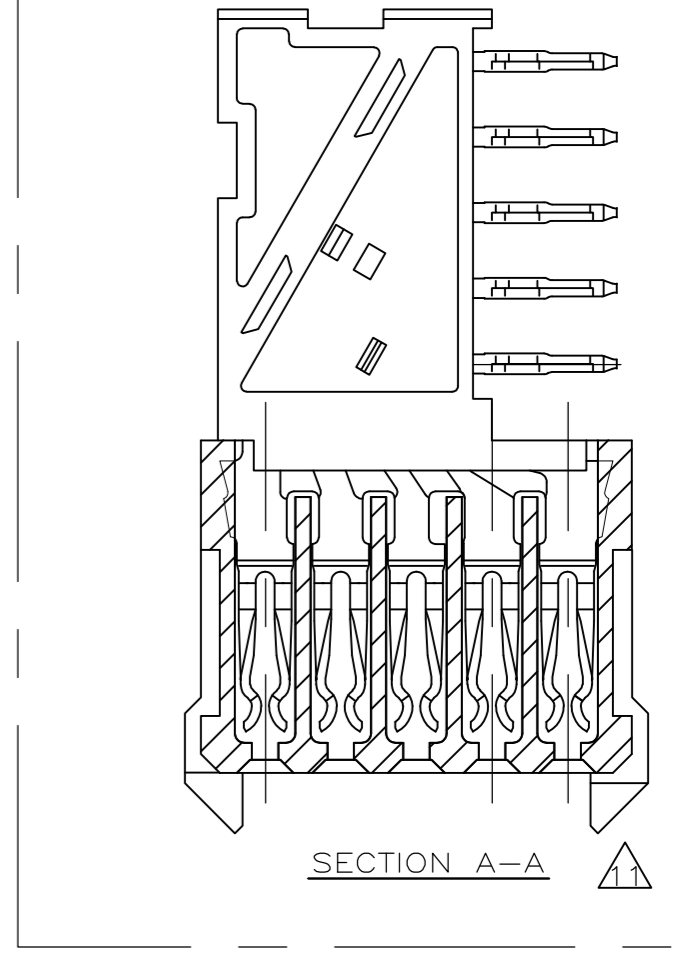
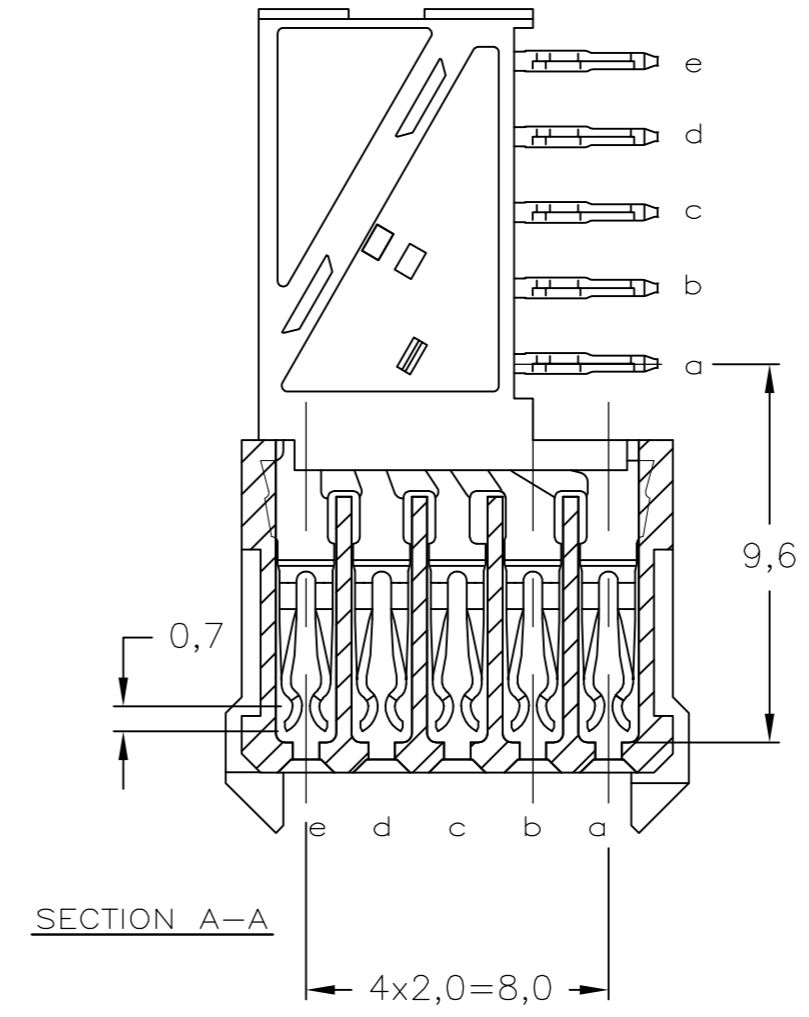
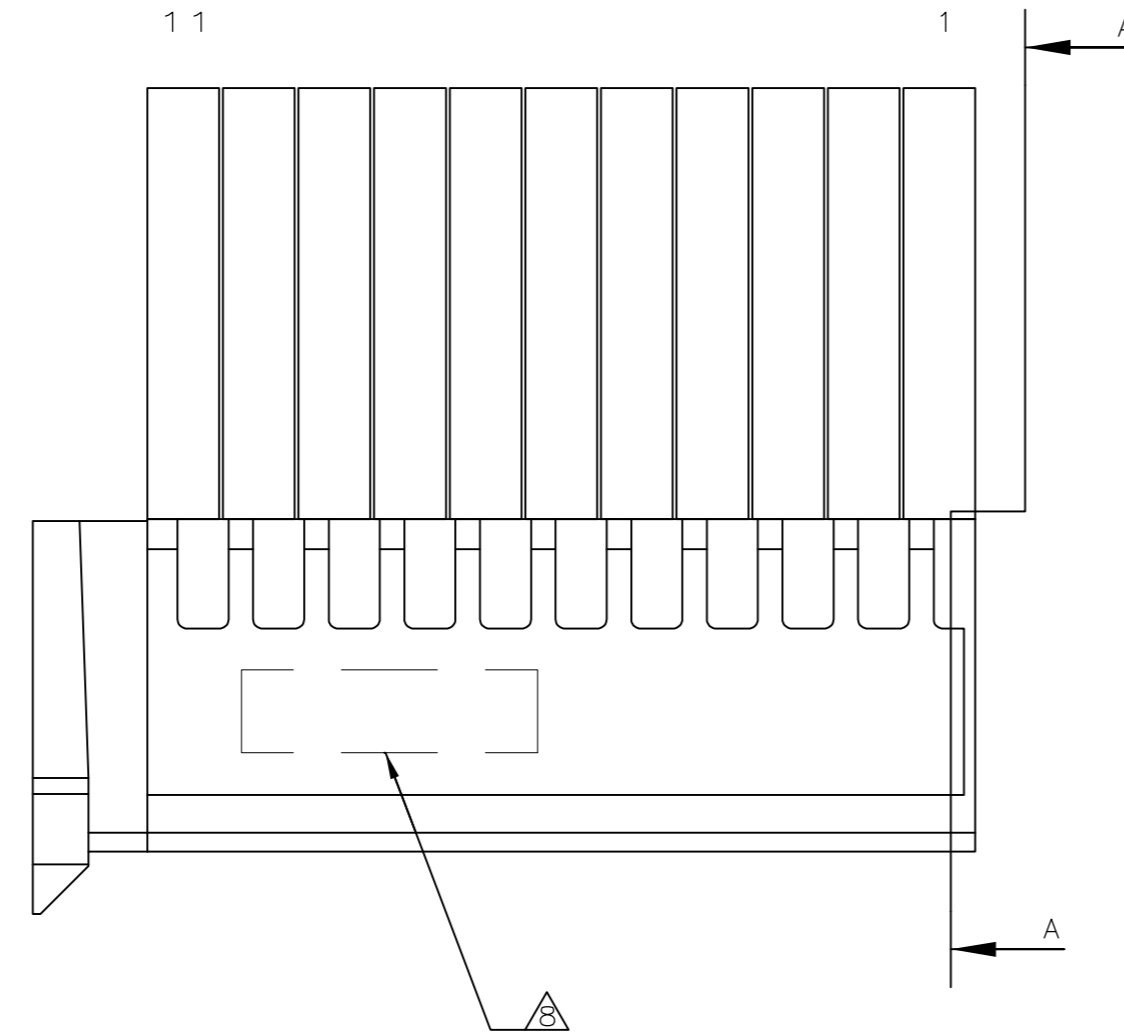
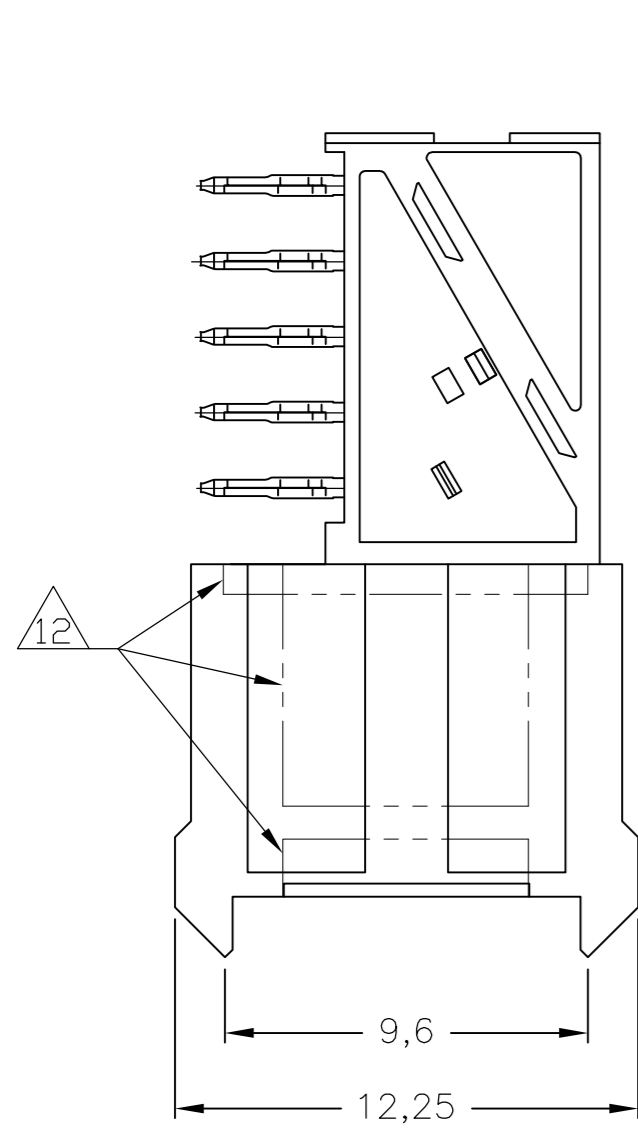


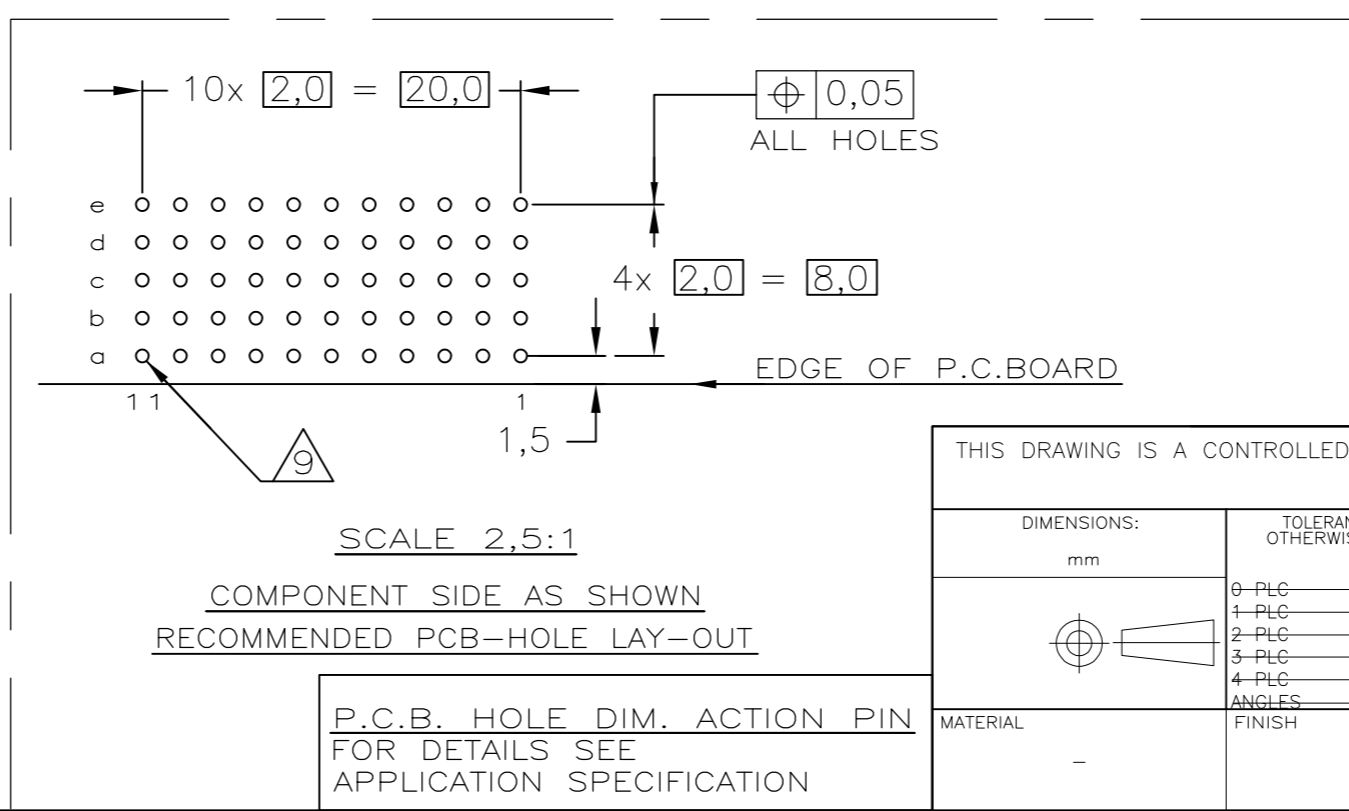
THIS DRAWING IS UNPUBLISHED. RELEASED FOR PUBLICATION  
 © COPYRIGHT - By - ALL RIGHTS RESERVED.

REVISIONS				
P	LTR	DESCRIPTION	DATE	APVD
G		ECR-16-013297	21JUL2017	FL SY



**NOTES:**

- 1 MATERIAL CONTACT; PHOSPHORBRONZE  
MATERIAL HOUSING; GLASSFILLED POLYESTER (GRAY)  
UL-RATING 94V0.
- 2 GENERAL PLATING SPECIFICATION: UNDERPLATING (ENTIRE CONTACT): 1,27µm NICKEL MIN.  
AND ACTION PIN: 0,5µm TIN MIN.  
FOR PLATING OF MATING SURFACES SEE APPLICABLE SPECIFICATION REFERENCE FOR EACH DASH NUMBER.
- 3 CONFORMS TO ALL TESTING ACCORDING IEC 61076-4-101 PERFORMANCE LEVEL 2.
- 4 CONFORMS TO ALL TESTING ACCORDING IEC 61076-4-101 PERFORMANCE LEVEL 1.
- 5 CONNECTOR TESTED AND QUALIFIED AGAINST TELCORDIA GR-1217-CORE QUALITY LEVEL III, CENTRAL OFFICE APPLICATIONS.
- 6 CONNECTOR TESTED AND QUALIFIED AGAINST TELCORDIA GR-1217-CORE QUALITY LEVEL III, UNCONTROLLED ENVIRONMENT APPLICATIONS.
- 7 CONNECTOR LUBRICATED WITH TELCORDIA GR-1217-CORE APPROVED LUBRICANT.
- 8 CONNECTOR PRINTED WITH PARTNUMBER AND DATECODE  
THE MARKING CAN APPEAR ON THE FRONT SIDE OR ON THE BACK SIDE.
- 9 PLATED-THROUGH HOLES AT 2x2mm SQUARE GRID. 55 HOLES
- 10 FITS WITH INTEGRATED GROUND RETURN UPPERSHIELD, BASIC P.N. 5352111  
AND INTEGRATED GROUND RETURN LOWERSHIELD, BASIC P.N. 5352112
- 11 CONNECTOR ASSEMBLED WITH REDESIGNED CONTACTS.  
CONTACTS HAVE A CORING-OUT IN THE PLASTIC.  
ALTERNATE CORING-OUT IN HOUSING; NON-FUNCTIONAL.
- 12 OBSOLETE PARTS: OBSOLETE CIS STREAMLINING PER D.RENAUD/D.SINISI
- 13
- 14 0.76µm MIN. GOLD PLATING AT MATING SURFACES.



OBSOLETE	2 3 4	1	3-5100161-0
OBSOLETE	2 6 7	1	1-5100161-9
OBSOLETE	2 6 7	1	5100161-9
OBSOLETE	2 4	1	5100161-4
	2 3	1	5100161-1
	FINISH		PART NUMBER
	MATERIAL		

THIS DRAWING IS A CONTROLLED DOCUMENT.

DWN	K.N.KIRAN	06AUG2004
CHK	B.MOOIJ	22SEP2004
APVD	B.MOOIJ	22SEP2004
PRODUCT SPEC	108-19082	
APPLICATION SPEC	114-19029	
WEIGHT	0.00000	
CUSTOMER DRAWING		

**TE** TE Connectivity

Z-PACK 2mm HM TYPE C  
55 POS. FEMALE CONNECTOR

SIZE	A2	CAGE CODE	00779	DRAWING NO	C=5100161	RESTRICTED TO	-
SCALE	4:1	SHEET	1 of 1	REV	G		

单击下面可查看定价，库存，交付和生命周期等信息

[>>TE Connectivity\(泰科\)](#)