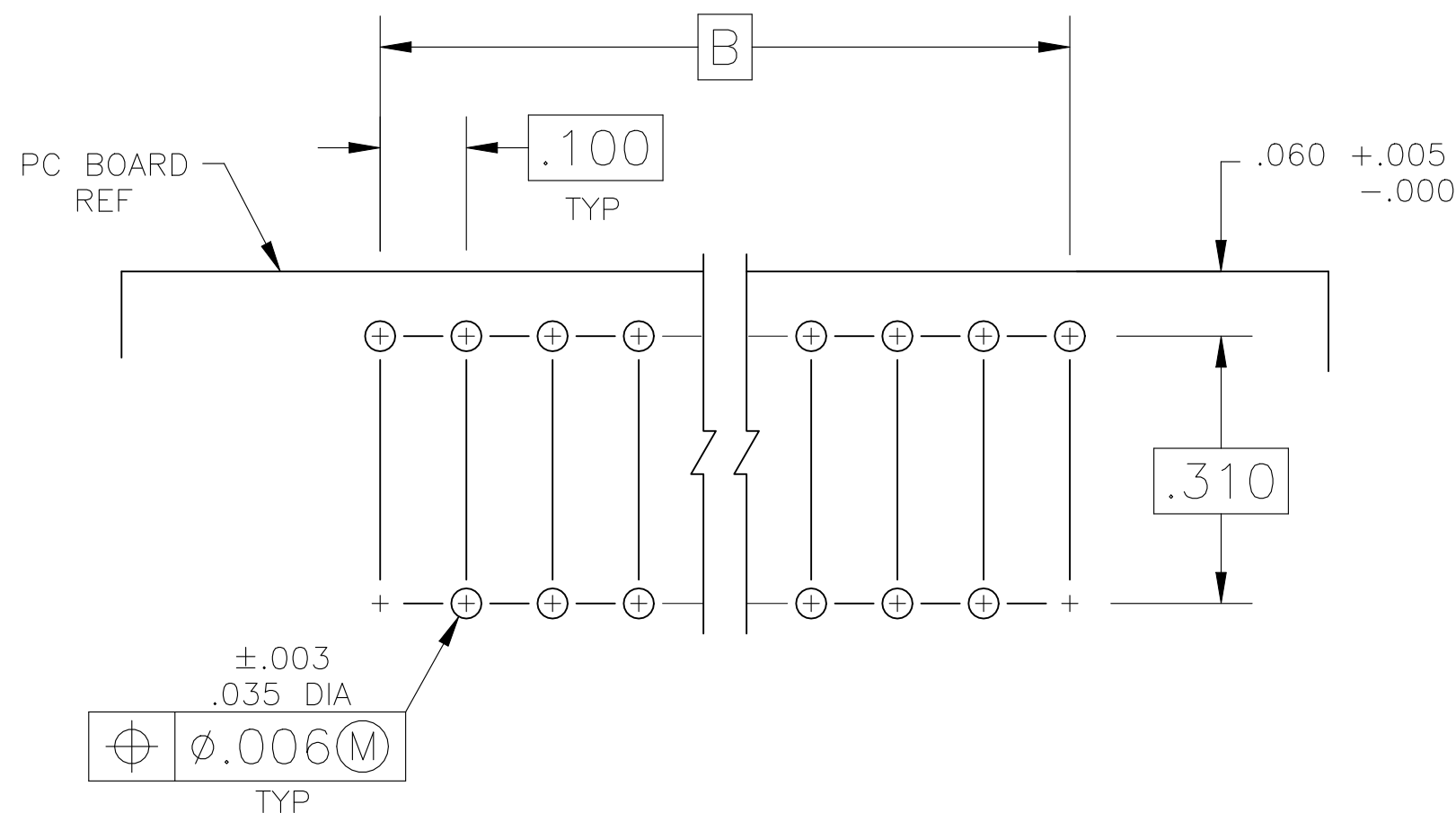
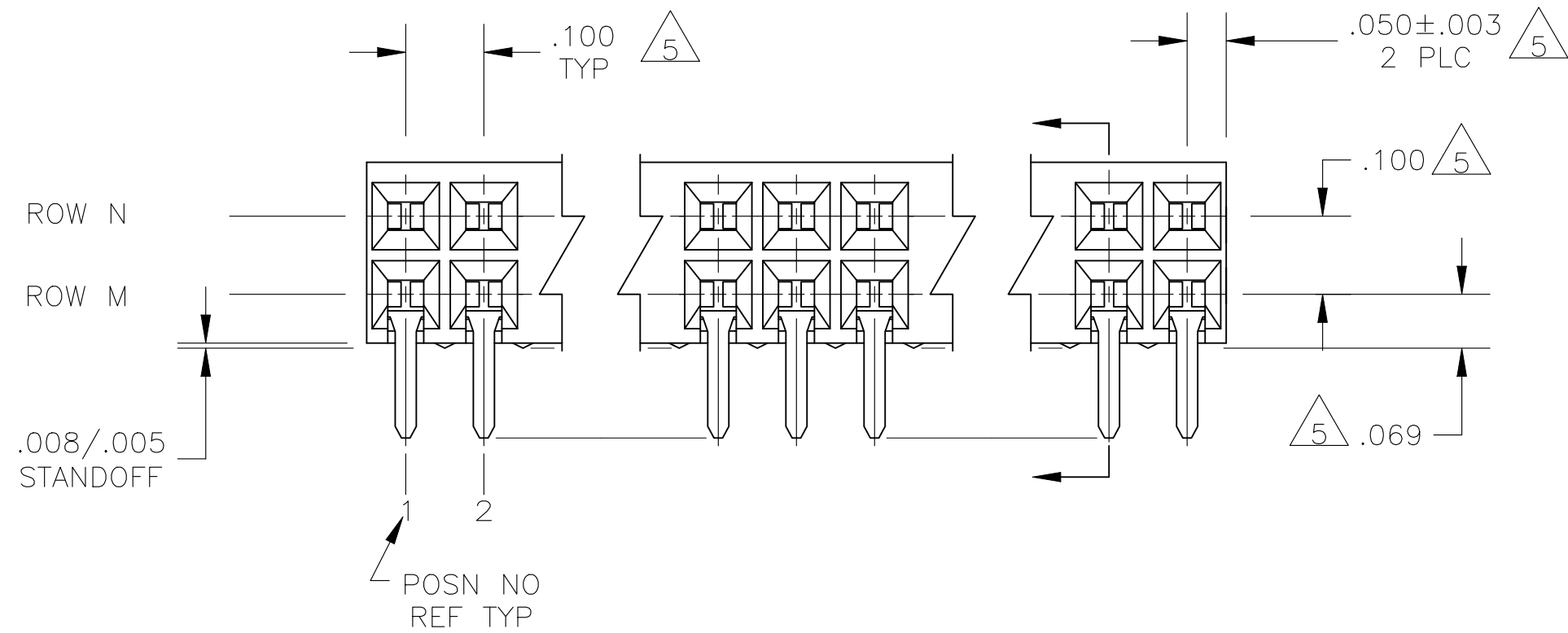
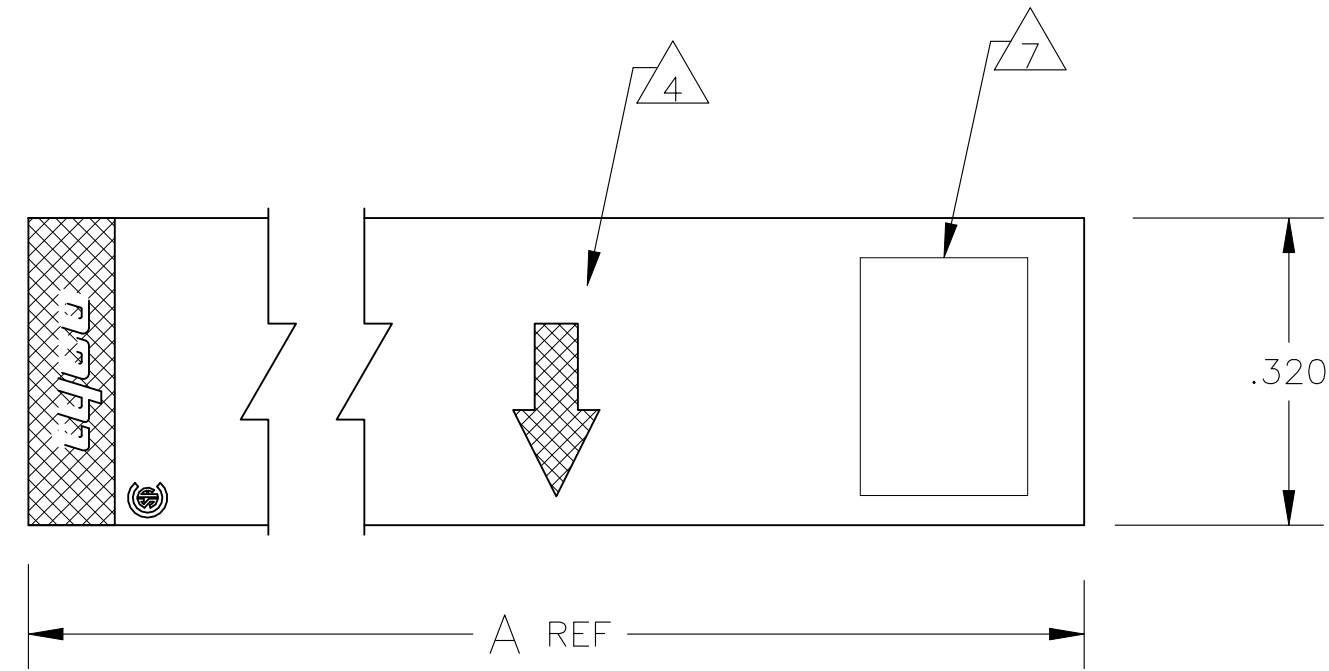
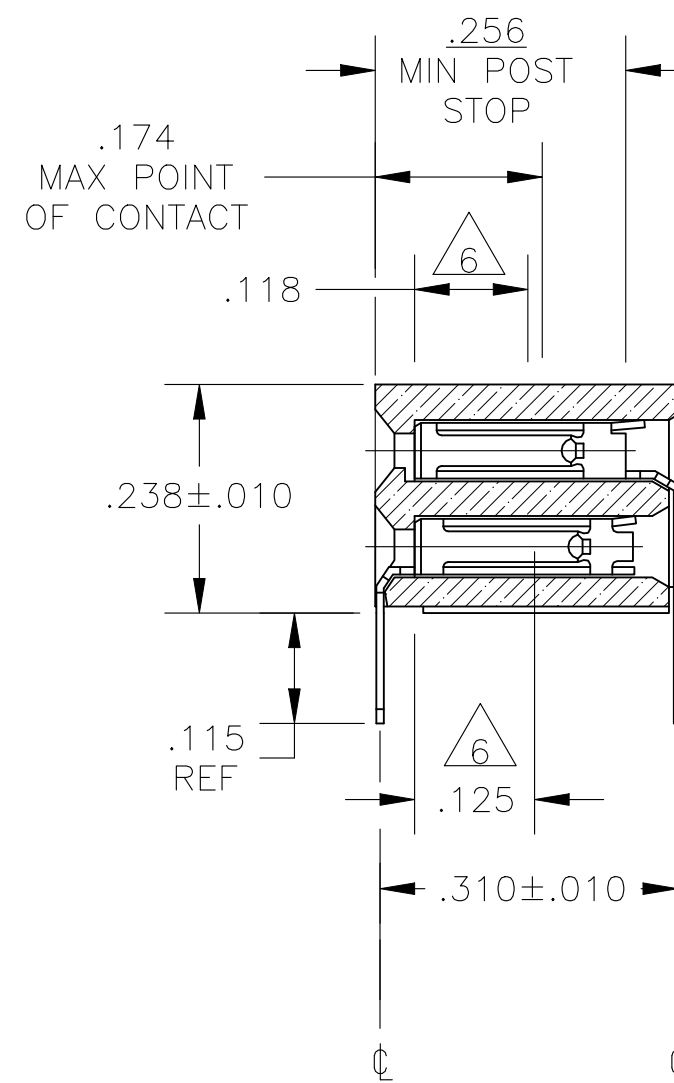


REVISIONS					
P	LTR	DESCRIPTION	DATE	DWN	APVD
F		RESIN SUPPLIER CHANGE FOR THE HOUSING	02DEC2021	SCB	KJK



RECOMMENDED PC BOARD LAYOUT



- 1 HOUSING MATERIAL : GLASS FILLED, FLAME RETARDANT POLYESTER, COLOR-BLACK.
- 2 CONTACT MATERIAL : PHOSPHOR BRONZE.
- 3 CONTACT FINISH : DUPLEX PLATED .000030 GOLD ON CONTACT AREA, .000150-.000300 BRIGHT TIN-LEAD ON SOLDER LEADS, ALL OVER .000050 MIN NICKEL.
- 4 MOLDED IN ARROW DESIGNATES THE MATING FACE OF THE CONNECTOR.
- 5 DIMENSIONS PERTAIN TO CAVITY CENTERLINES.
- 6 POINT OF MEASUREMENT FOR PLATING THICKNESS OF CONTACT AREA.
- 7 PART NUMBER AND DATE CODE ARE MARKED IN APPROXIMATE LOCATION SHOWN.
- 8 CONTACT FINISH : DUPLEX PLATED .000030 GOLD ON CONTACT AREA, .000150-.000300 MATTE TIN ON SOLDER LEADS, ALL OVER .000050 MIN NICKEL.
- 9 ROHS 2002 /95/EC COMPLIANT.
- 10 OBSOLETE PARTS: OBSOLETE CIS STREAMLINING PER D.RENAUD/D.SINISI

10	OBSOLETE	8	NONE	15	1.400	1.500	29/30	9	5-146327-2
10	OBSOLETE	8	NONE	1	1.400	1.500	29/30	9	5-146327-1
		3	NONE	15	1.400	1.500	29/30		146327-2
10	OBSOLETE	3	NONE	1	1.400	1.500	29/30		146327-1
FINISH		ROW M		ROW N	B		A	NO. OF POSITIONS	
		POSITIONS OMITTED						ASSEMBLY PART NUMBER	

THIS DRAWING IS A CONTROLLED DOCUMENT.		DWN	T. HOFFMAN	7/12/95		AMPMODU MOD II RECEPTACLE ASSEMBLY, HORIZONTAL, .100 CL, 2 ROW, CLOSED-ENTRY, SHORT POINT-OF-CONTACT.				
DIMENSIONS: INCHES		CHK	H. PALEY	7/24/95		NAME				
TOLERANCES UNLESS OTHERWISE SPECIFIED:		APVD	H. PALEY	7/24/95		PRODUCT SPEC				
0 PLC ± - 1 PLC ± - 2 PLC ± - 3 PLC ± - 4 PLC ± - ANGLES ± -		APPLICATION SPEC				SIZE	CAGE CODE	DRAWING NO	RESTRICTED TO	
MATERIAL		FINISH		WEIGHT	A2 00779		C=146327			
1 2		3 8		CUSTOMER DRAWING		SCALE	5:1	SHEET	1 OF 1	
						REV	F			

单击下面可查看定价，库存，交付和生命周期等信息

[>>TE Connectivity\(泰科\)](#)