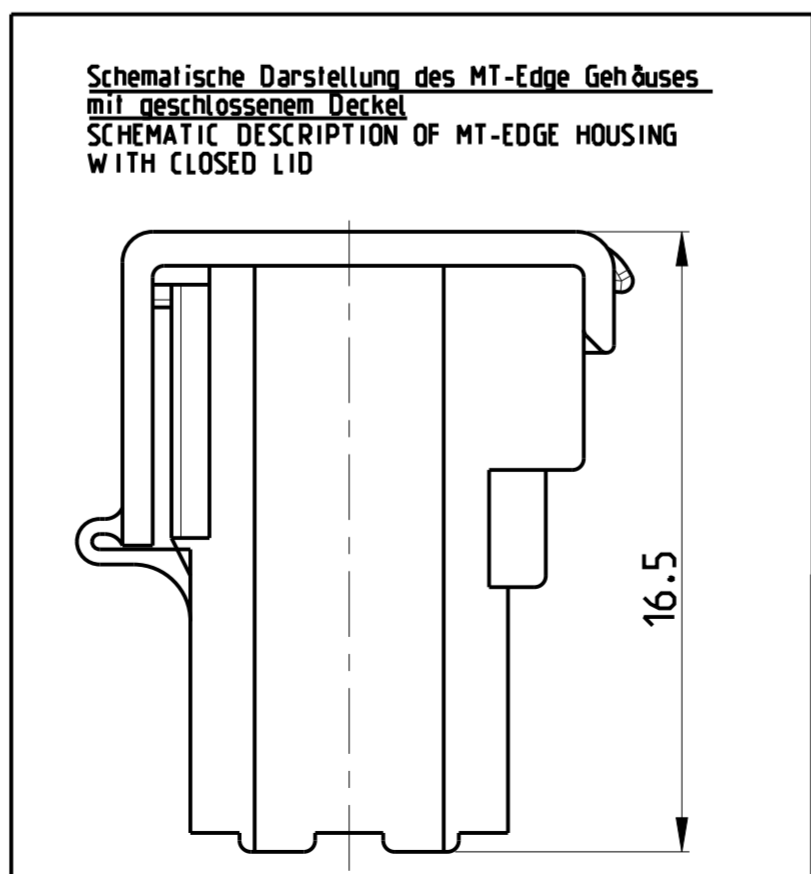
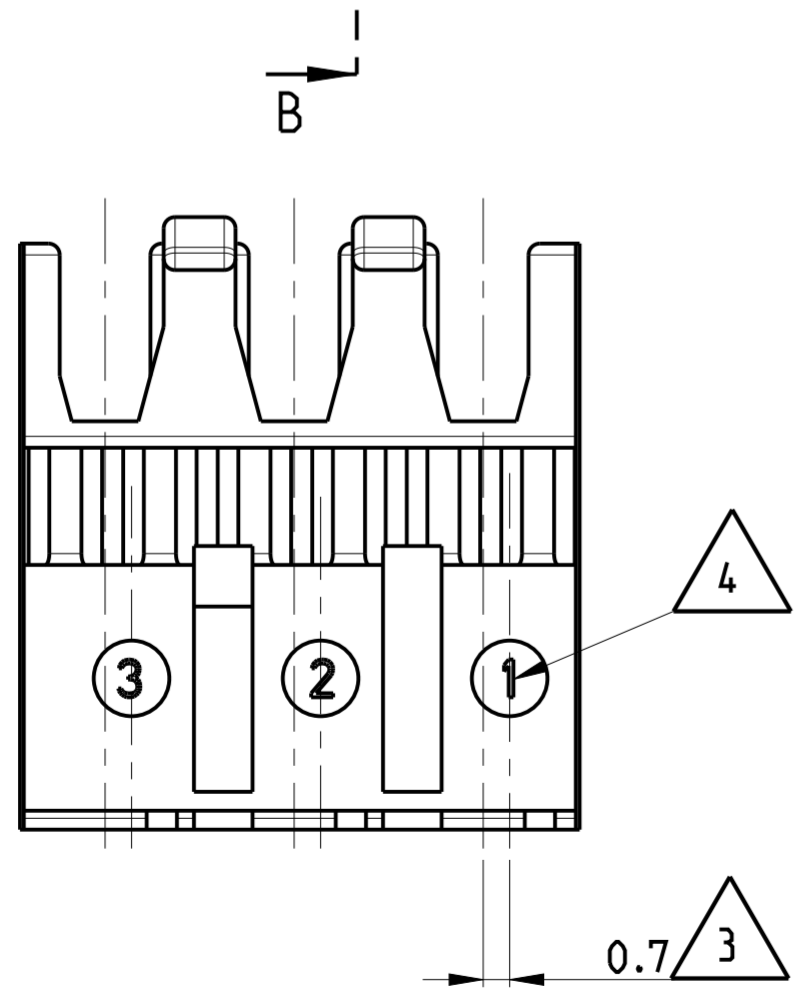
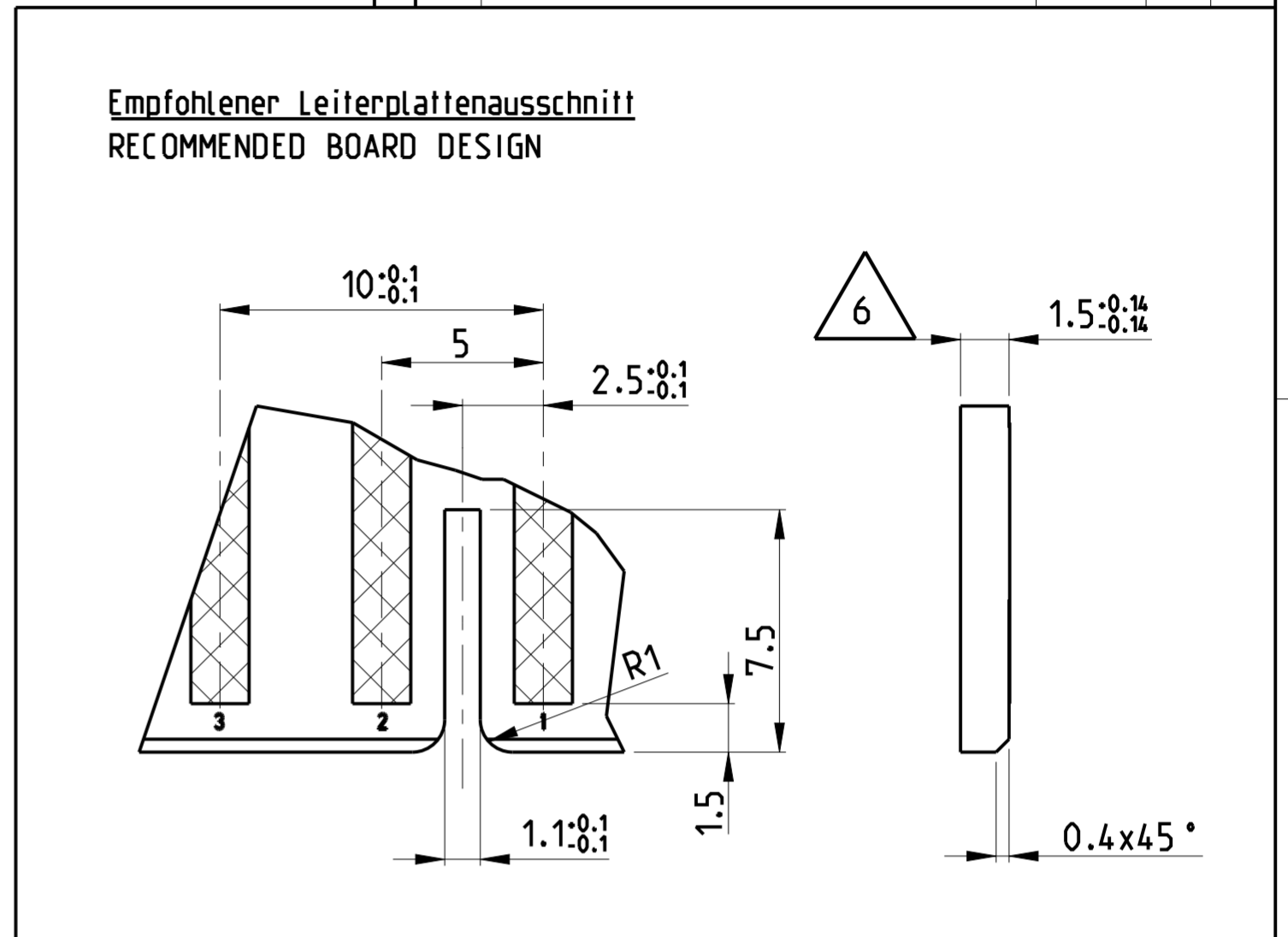
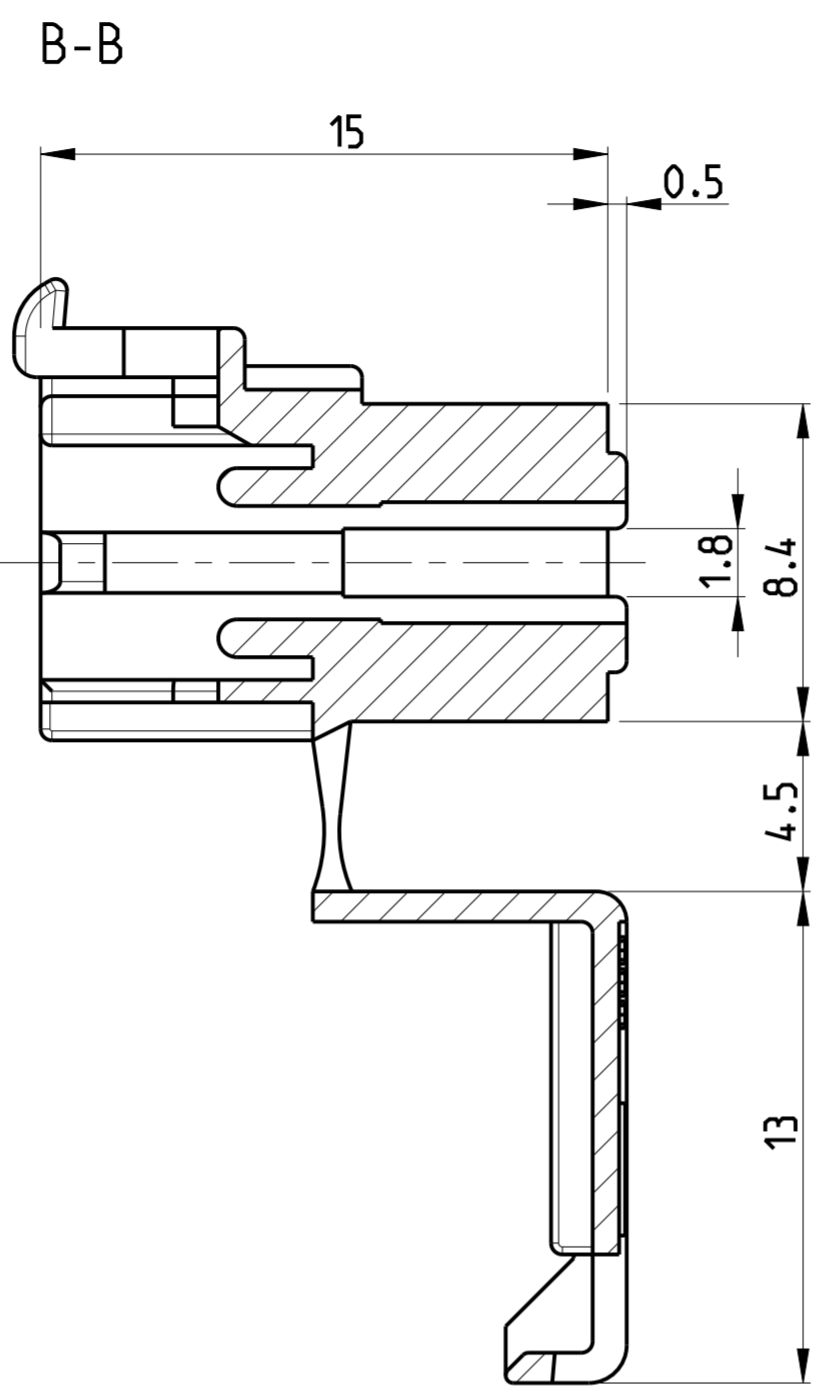
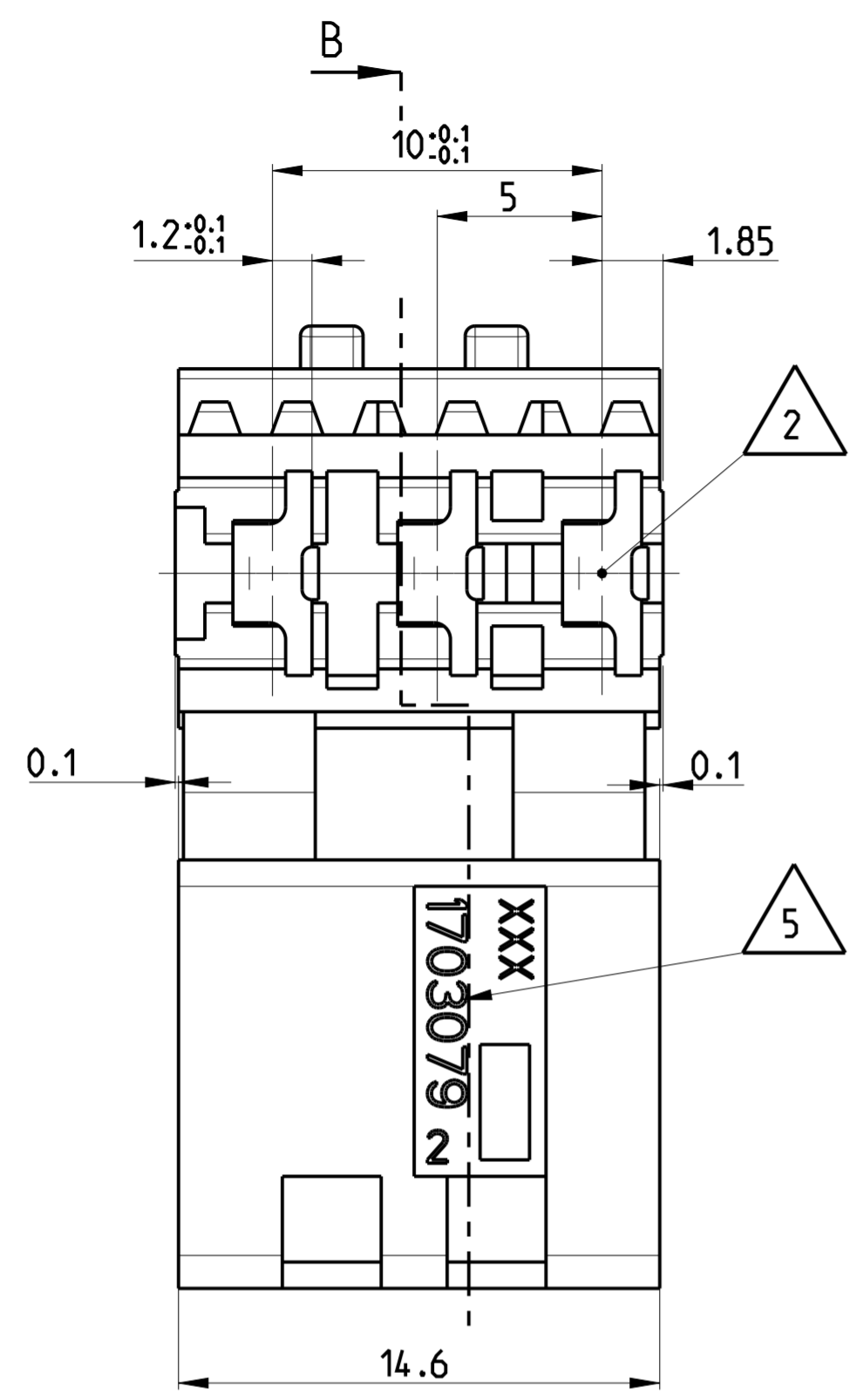


THIS DRAWING IS UNPUBLISHED. RELEASED FOR PUBLICATION 2003  
 (C) COPYRIGHT 2003 ALL RIGHTS RESERVED.

LOC	DIST	REVISIONS					
A	I	P	LTR	DESCRIPTION	DATE	DWH	APVD
		B		ECR-12-002845	17APR2012	MKD	RRP
		B1		ECR-14-006224	28APR2014	KD	BW



Bemerkungen  
NOTES

- 1 Massgebend ist der deutsche Text  
ONLY THE GERMAN-LANGUAGE VERSION SHALL BE BINDING
- 2 Lage des Kontaktpunktes auf der Leiterplatte; Abweichung ±0.4  
POSITION OF CONTACT POINT ON BOARD; DEVIATION ±0.4
- 3 Kontaktierung zur Drahtmitte um 0.7mm versetzt  
CONTACTING 0.7mm DISPLACED TO WIRE CENTRELINE
- 4 Kontaktkammer-Nr.  
CONTACT CAVITY #
- 5 Firmenlogo und Leergehäuse-Nr.  
ARTWORK LOGO AND HOUSING # (NON LOADED)
- 6 Ausführung nach DIN 60249-2-4  
BOARD DESIGN ACCORDING TO DIN 60249-2-4
- 7 Crimp Kontakt-Nr.:  
Material: CuSn4 926770-1, 926917-1  
CRIMP CONTACT #: MATERIAL: CuSn4

1-1703079-1	MT-EDGE HOUSING	NATURE
PART NO.	DESCRIPTION	COLOR

THIS DRAWING IS A CONTROLLED DOCUMENT.		DWH MAHNKE, B. 24SEP2004	TE Connectivity	
DIMENSIONS: mm		CHK STREDAK, F. 20DEC2004		
TOLERANCES UNLESS OTHERWISE SPECIFIED:		APVD BLFICHER, M. 21DEC2004	NAME 3 POS. MT-EDGE HOUSING RAST 5mm	
0 PLC ±0.15mm	1 PLC ±0.15mm	PRODUCT SPEC 108-18003	SIZE CAGE CODE DRAWING NO RESTRICTED TO	
2 PLC ±	3 PLC ±	APPLICATION SPEC 114-18002	A2 C-1703079	
4 PLC ±	ANGLES ±°	WEIGHT 1.491 g	SCALE 5:1 SHEET 1 OF 1 REV B1	
MATERIAL PA6.6 / UL94V-2		CUSTOMER DRAWING		

单击下面可查看定价，库存，交付和生命周期等信息

[>>TE Connectivity\(泰科\)](#)