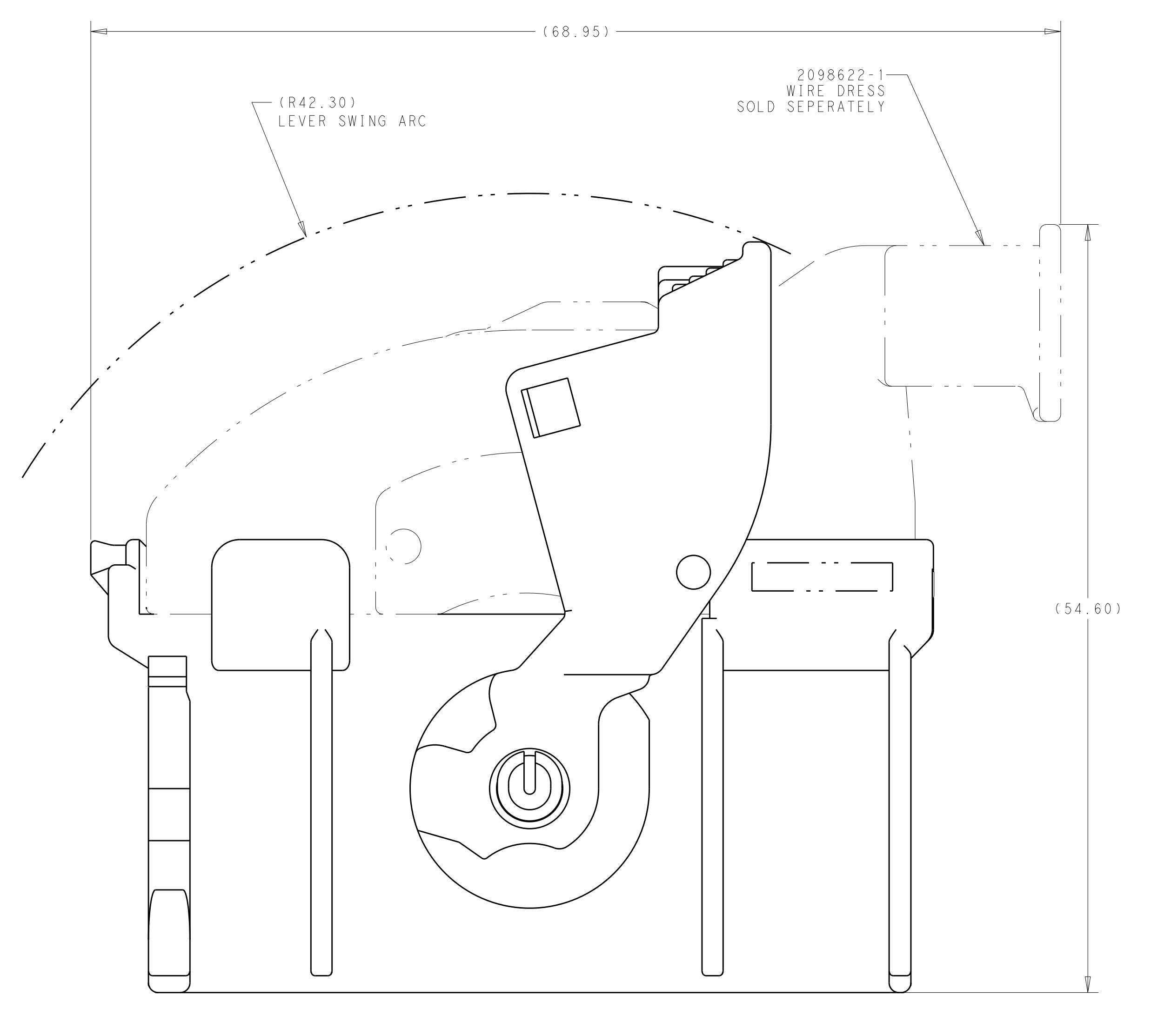
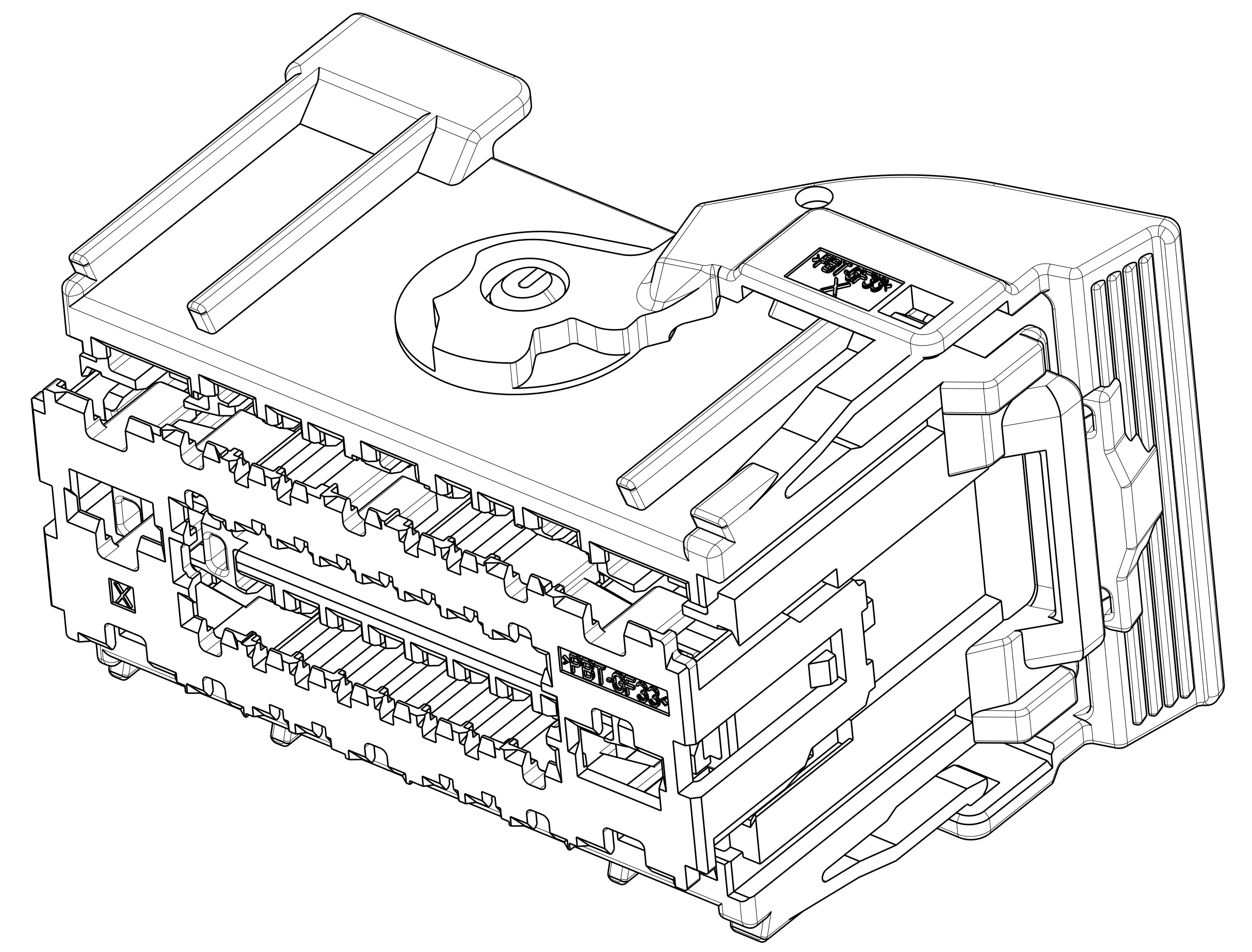
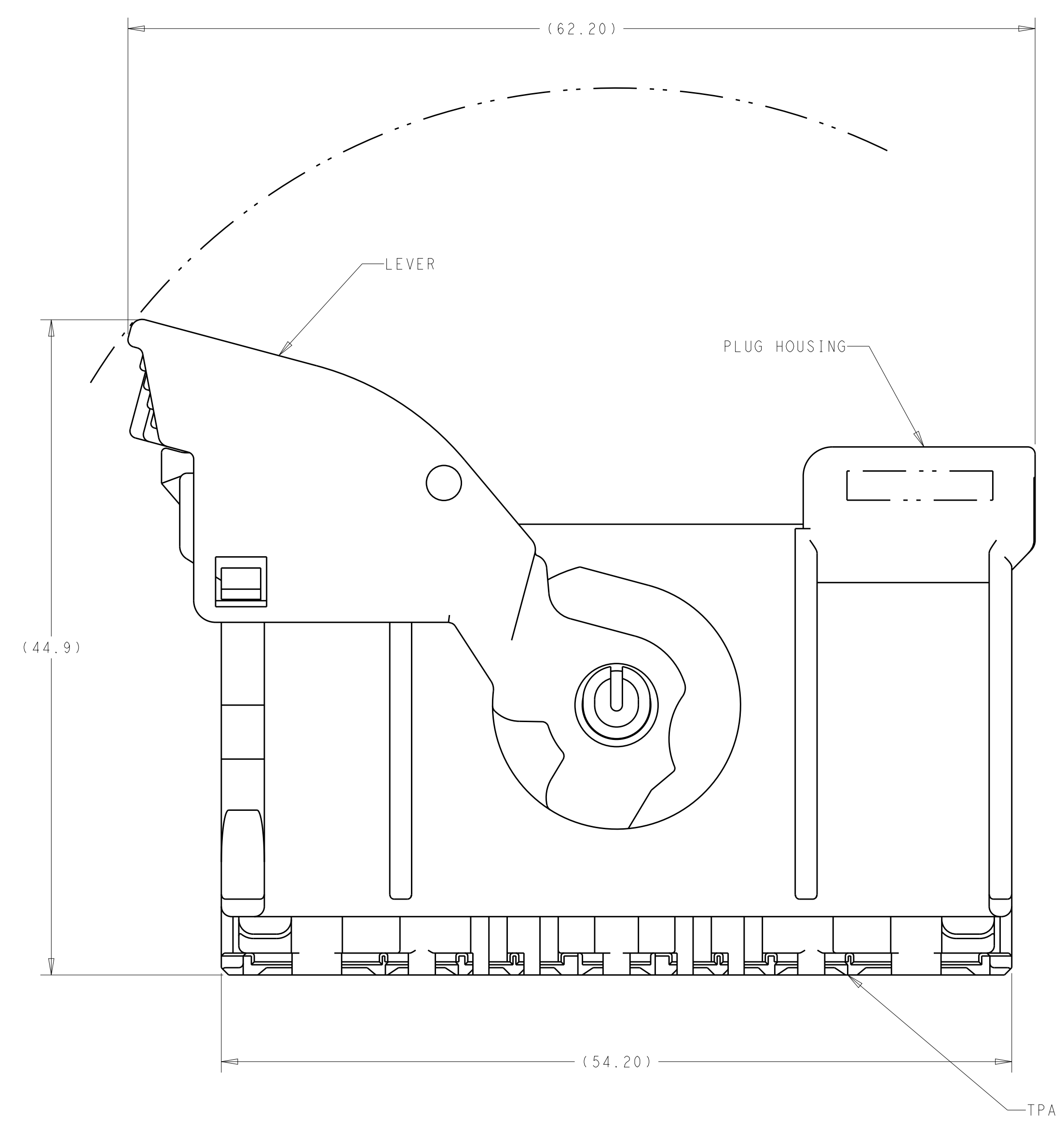


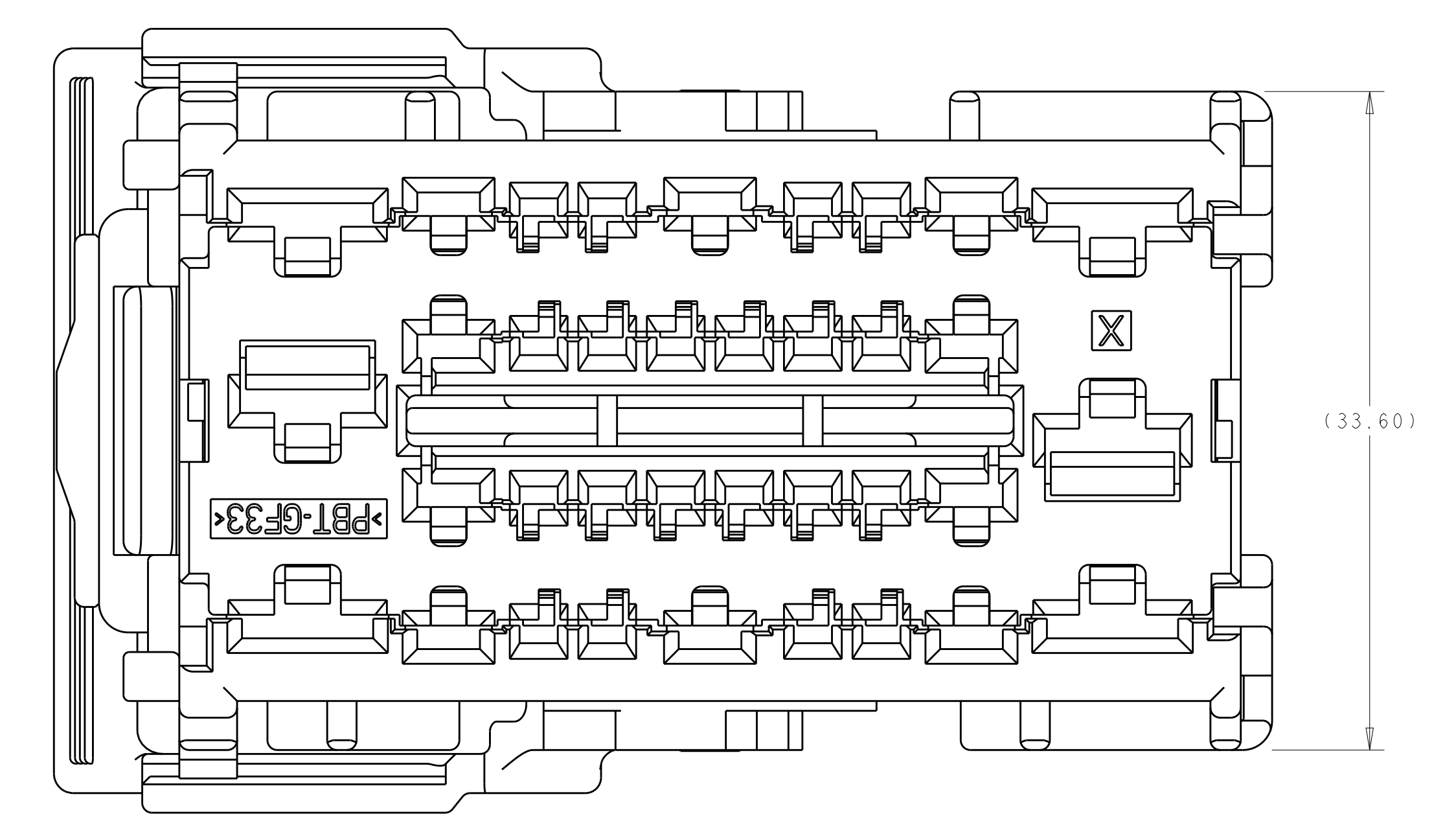
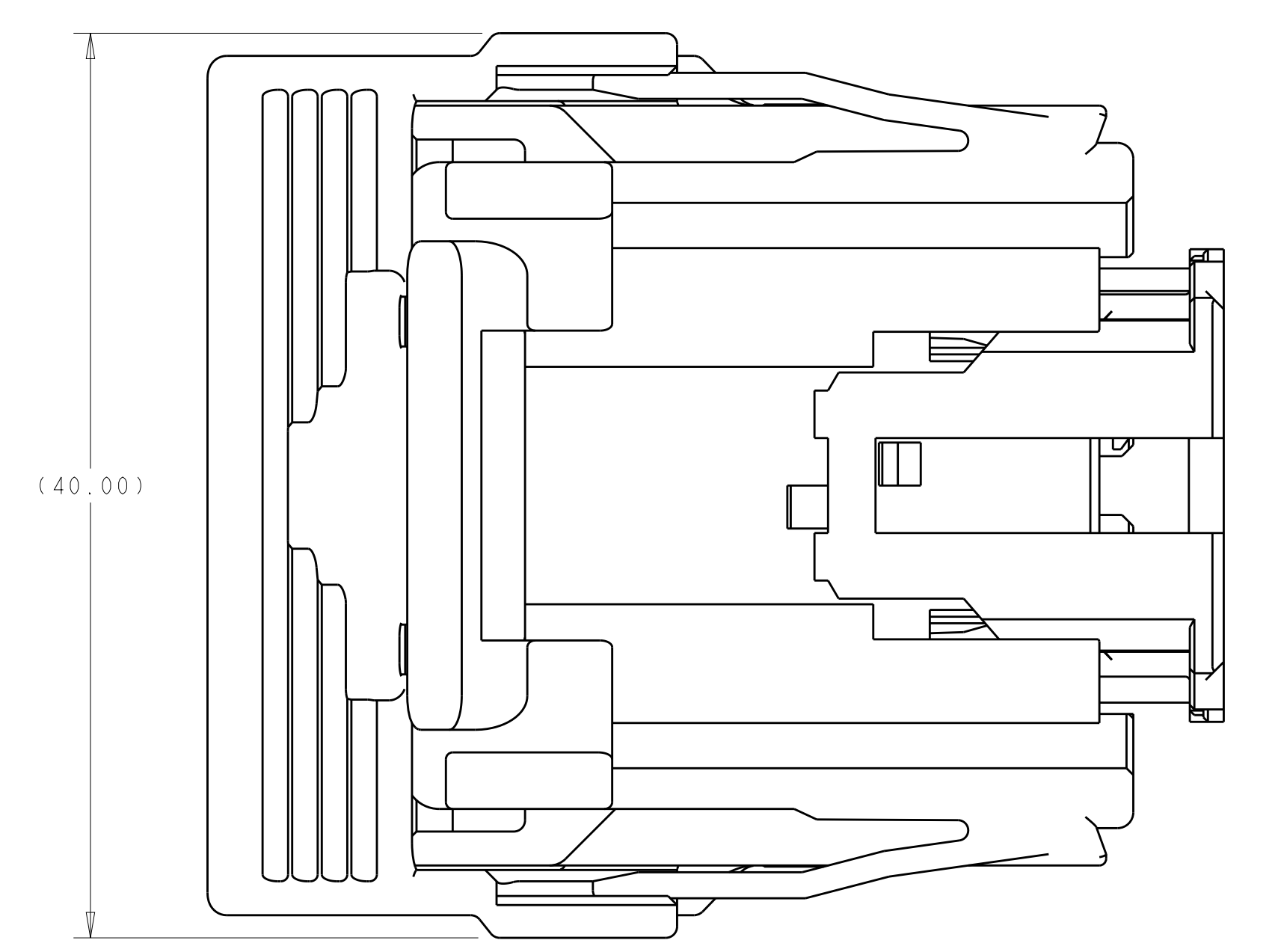
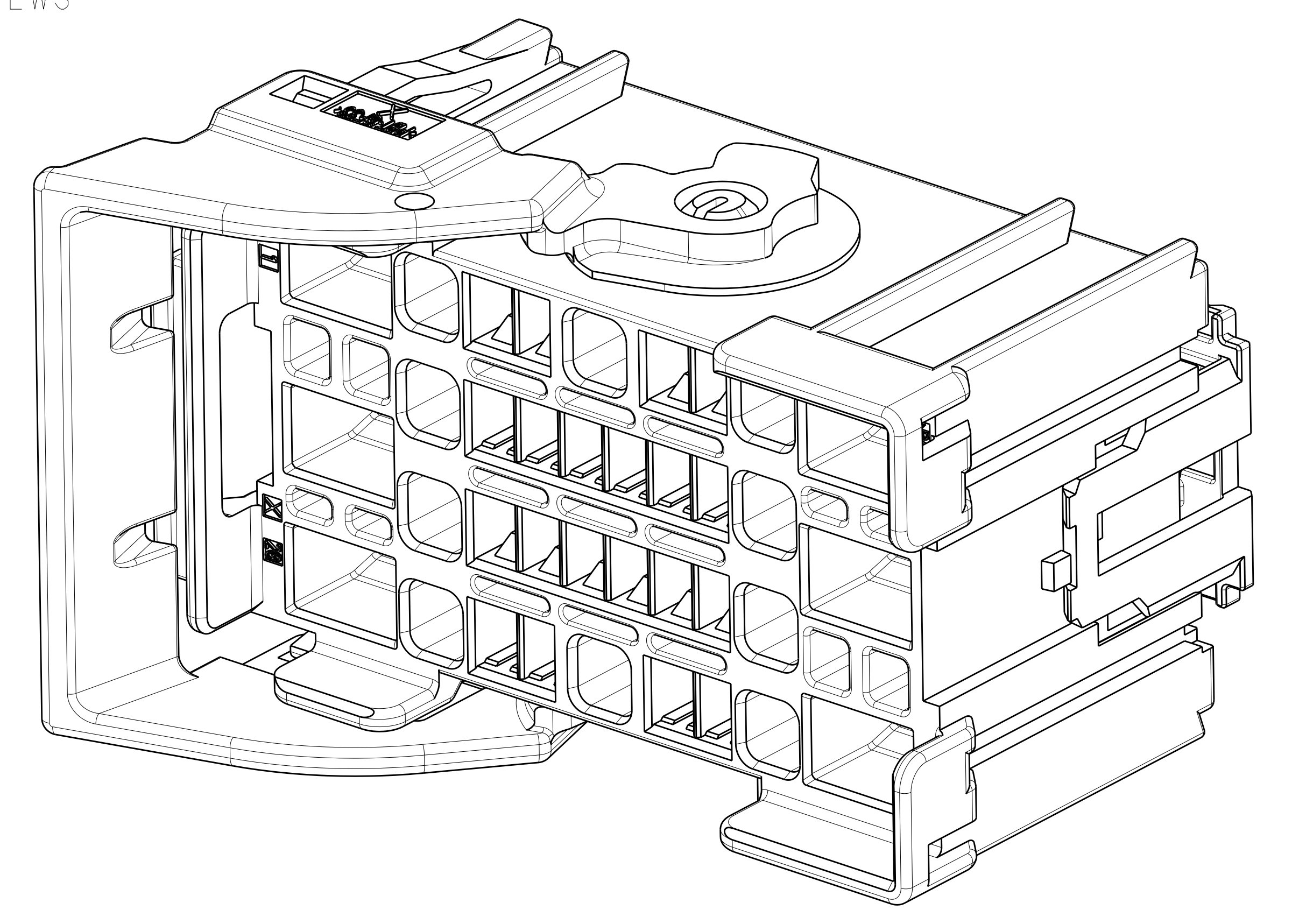
REVISIONS				
REV	DATE	BY	APPD	DESCRIPTION
A2	28/JUL/2016	DD	GR	REVISED PER ECO-16-010929



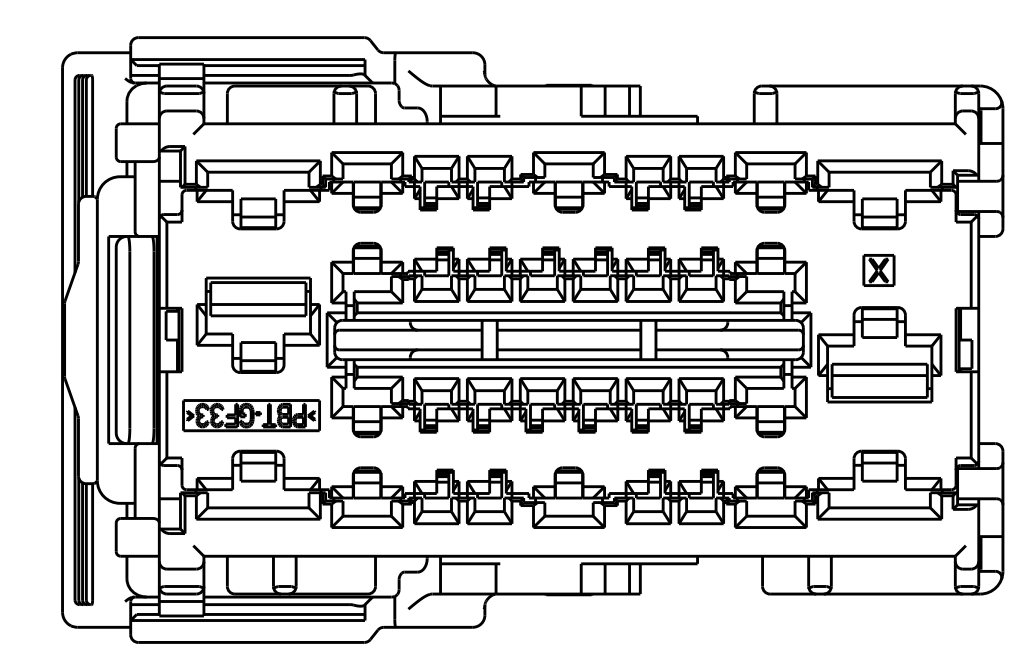
2138731-1
 LEVER AND TPA IN ASSEMBLED POSITION,
 WITH WIRE DRESS SOLD SEPARATELY



ISOMETRIC VIEWS

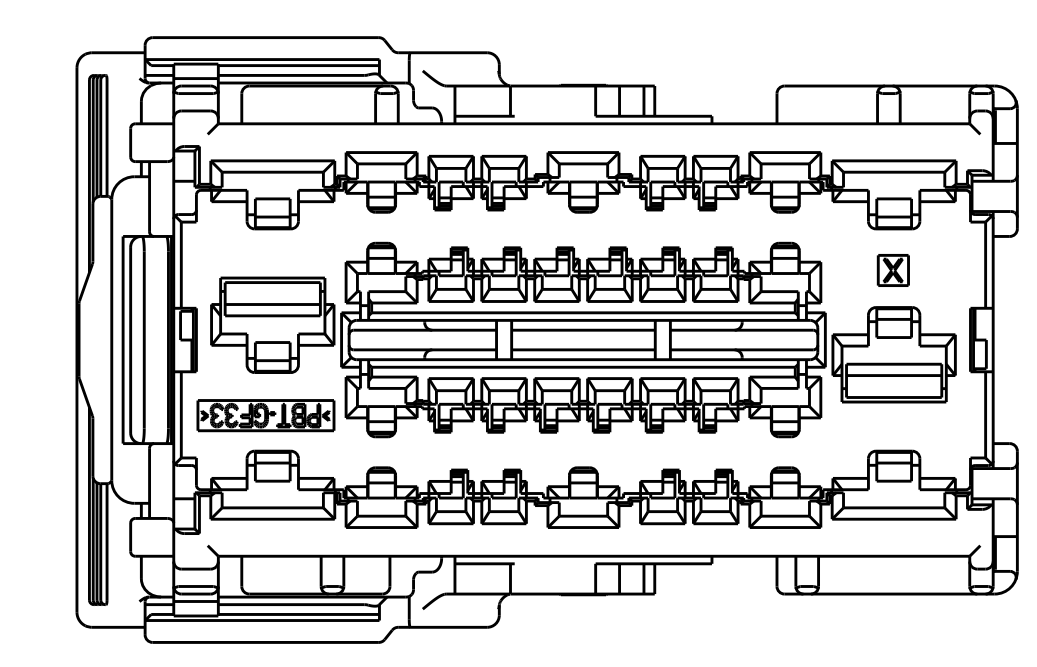


NOTES:
 1. TE CONNECTIVITY PART NUMBER 2138731-1 SHOWN IN GENERAL VIEWS WITH TPA AND LEVER IN SHIPPING POSITION.
 MATERIAL:
 PLUG HOUSING: NYLON PA66 35% GLASS FILLED, BLACK
 TPA: PBT 33% GLASS FILLED, RED
 LEVER: PBT 33% GLASS FILLED, NATURAL



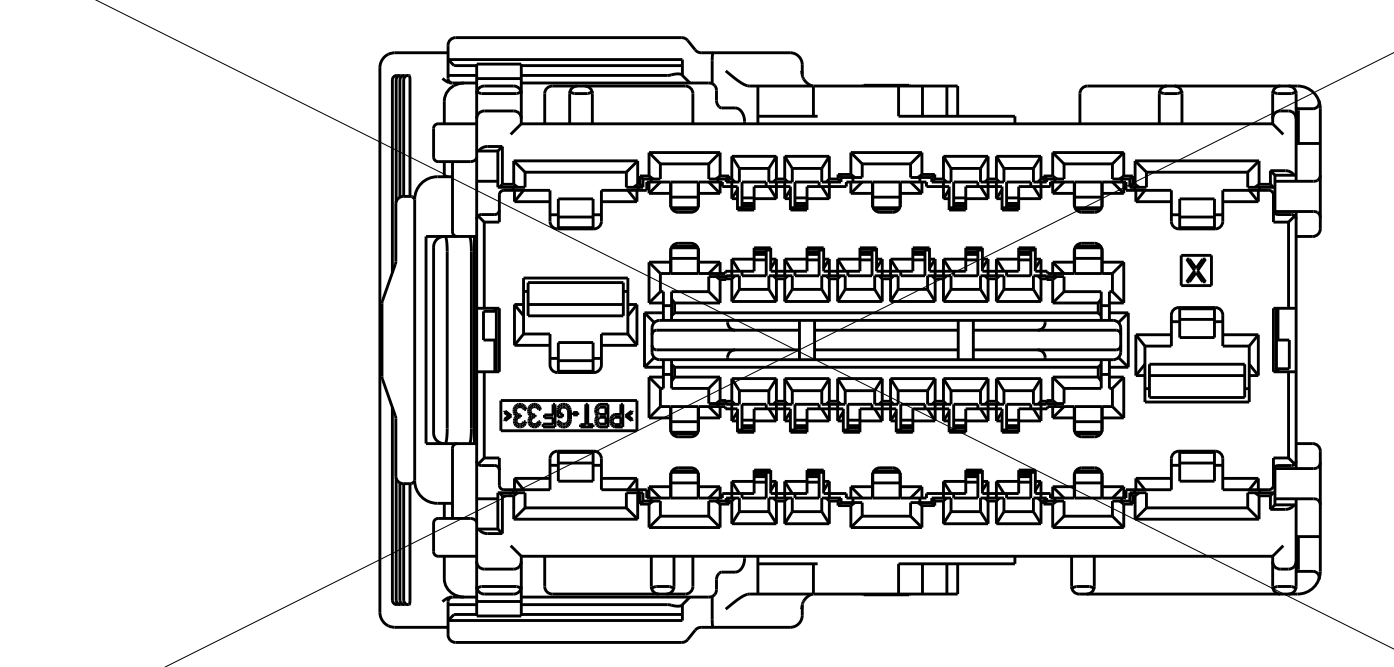
SCALE 2:1

2138731-1
 KEYING OPTION "A"



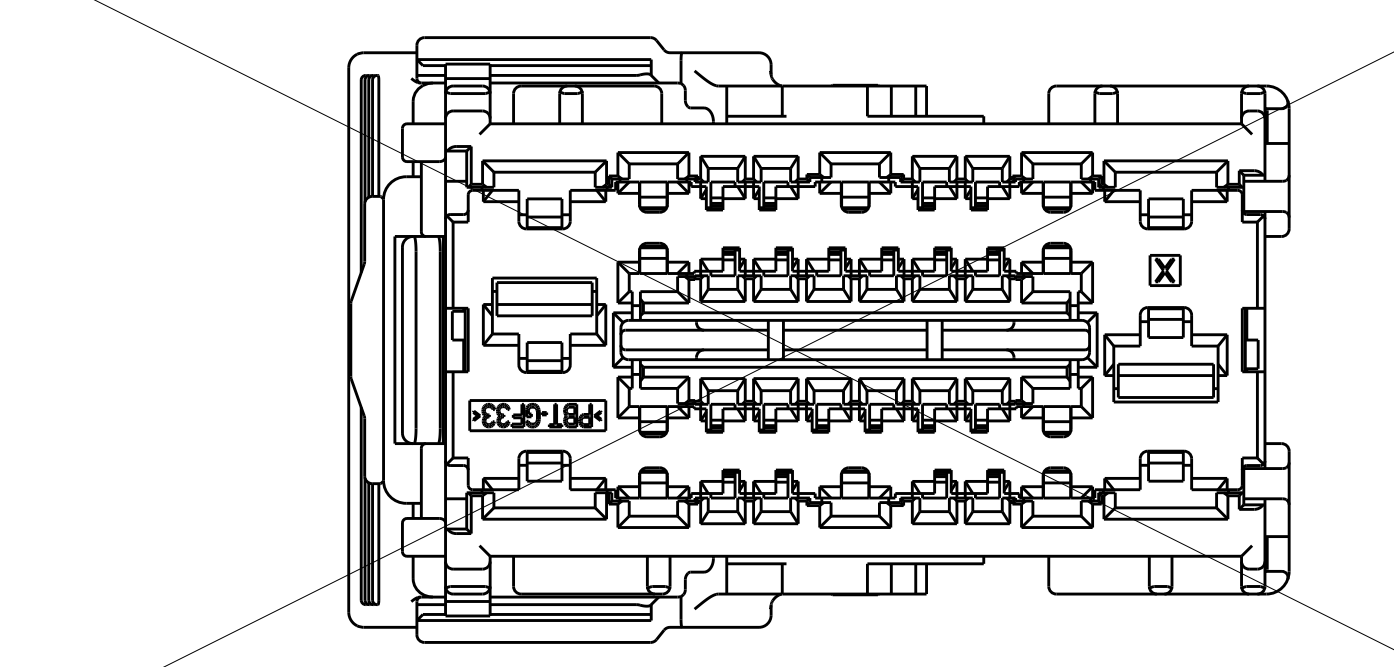
SCALE 2:1

2138731-2
 KEYING OPTION "B"



SCALE 2:1

2138731-3
 KEYING OPTION "C"



SCALE 2:1

2138731-4
 KEYING OPTION "D"

STATUS	KEYING OPTION	TE PART NUMBER
NOT TOOLED	D	2138731-4
NOT TOOLED	C	2138731-3
RELEASED	B	2138731-2
RELEASED	A	2138731-1

THIS DRAWING IS A CONTROLLED DOCUMENT.

DATE	20DEC2011	BY	M. HILCHUCK
DESIGNED BY	20DEC2011	CHKD BY	J. HEIRICK
OPERATIVE DATES	20DEC2011	APPD BY	J. HEIRICK
PRODUCT SPEC		APPLICATION SPEC	
0 PLC 85.0		WEIGHT	
1 PLC 85.0		CUSTOMER DRAWING	
2 PLC 85.0			
3 PLC 85.0			
4 PLC 85.0			

NAME: 36P UNSEALED HYBRID PLUG ASSEMBLY (20X 1.5, 10X 2.8, 6X 6.3)

SIZE: CASE CODE DRAWING NO: A000779 © 2138731

RESTRICTED TO: A2

SCALE: 2:1 SHEET 1 OF 1 REV: A2

单击下面可查看定价，库存，交付和生命周期等信息

[>>TE Connectivity\(泰科\)](#)