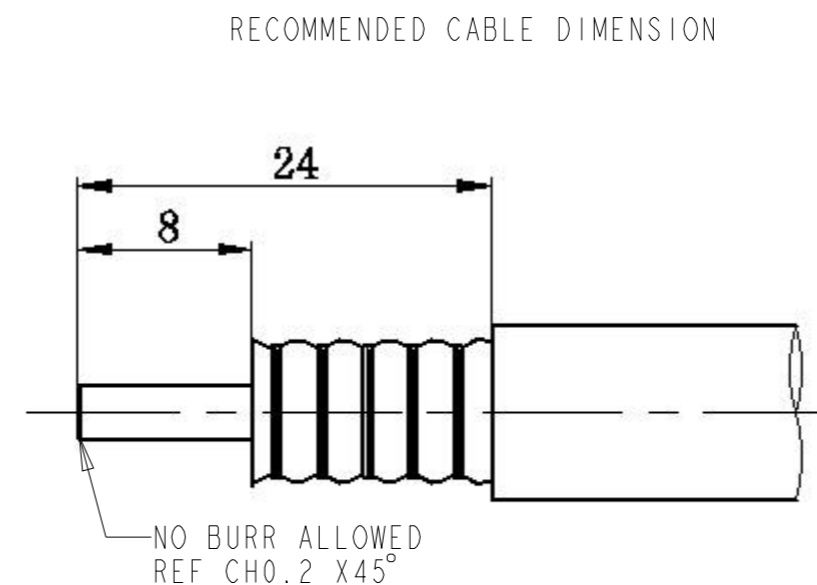
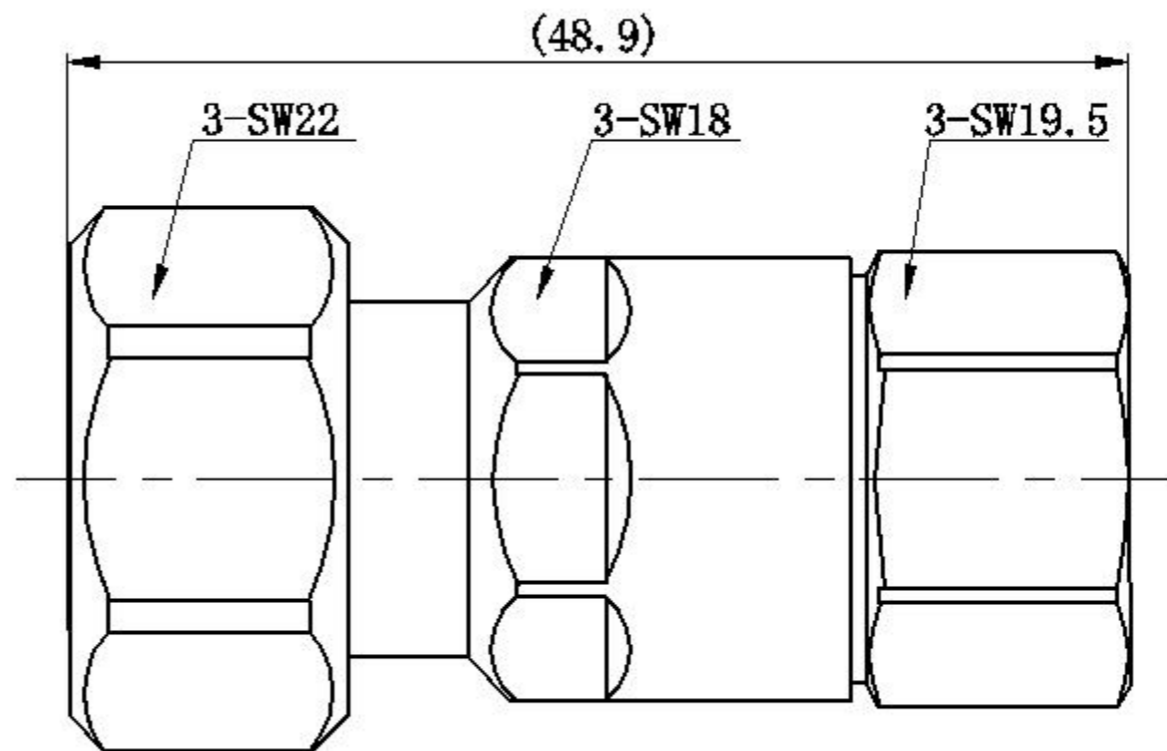


ELECTRICAL	MECHANICAL	ENVIRONMENTAL
IMPEDANCE <u>50 Ohm</u> FREQUENCY RANGE <u>DC to 6GHz</u> INSERTION LOSS: <u>Max. 0.05*SQRT(F) dB</u> VSWR: <u>Max. 1.15@0-3GHz</u> <u>Max. 1.20@3-6GHz</u> DIELECTRIC WITHSTAND VOLTAGE: <u>Max. 2500 V RMS</u> INSULATION RESISTANCE <u>Min. 5000 Mohms</u> PIM3: <u>Max. -160dBc @2x20W, 900MHz, 1800MHz,</u> <u>2100MHz tested with cable</u>	MATING CYCLES: <u>MIN. 100 CYCLES</u> RECOMMENDED TORQUE: <u>5Nm</u> CABLE PULLING: <u>500N MIN.</u> CABLE TORSION: <u>5Nm MIN.</u>	TEMPERATURE RANGE: <u>-40°~+85°C</u> SALT SPRAY: <u>96H</u> INTERFACE SEAL: <u>IP68(1m, 24h) MATED</u> CLAMP SEAL: <u>IP67(1m, 0.5h)</u>

P	LTR	DESCRIPTION	DATE	DWN	APVD



NOTE:

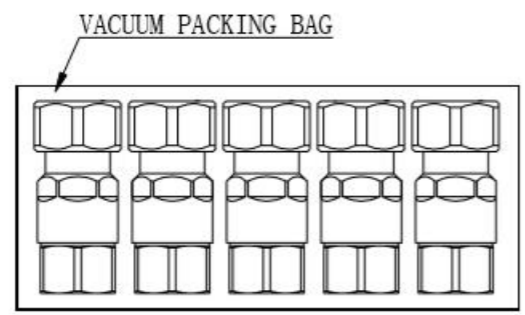
1. INTERFACE ACCORDING TO IEC 61169-54

P/N	PART NAME	MATERIAL	PLATING
2081971-1	CENTER CONTACT	BRONZE	SILVER
	OUTER CONTACT	BRASS/BRONZE	WHITE BRONZE
	INSULATOR	PTFE	
	O-RING	SILICONE RUBBER	
	OTHERS	BRASS	NICKEL

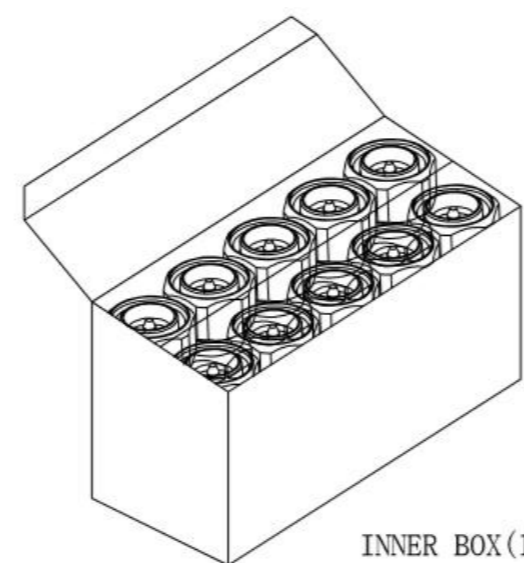
THIS DRAWING IS A CONTROLLED DOCUMENT.		DWN JZ	10MAR2020		
DIMENSIONS: mm		CHK RZ	10MAR2020		
TOLERANCES UNLESS OTHERWISE SPECIFIED:		APVD RS	10MAR2020	NAME 4.3-10 STRAIGHT PLUG, SCREW FOR 1/2 CABLE CLAMP TYPE	
0 PLC ±0.3		PRODUCT SPEC		SIZE	
1 PLC ±0.2		108-115175		CAGE CODE	
2 PLC ±0.20		APPLICATION SPEC		DRAWING NO	
3 PLC ±0.200		408-160015		RESTRICTED TO	
4 PLC ±0.2000		WEIGHT		-	
ANGLES ±		61.5g		-	
MATERIAL SEE TABLE		FINISH SEE TABLE		SCALE	
-		-		1:1	
-		CUSTOMER DRAWING		SHEET	
-		-		1 OF 2	
-		-		REV	
-		-		A	

REVISIONS

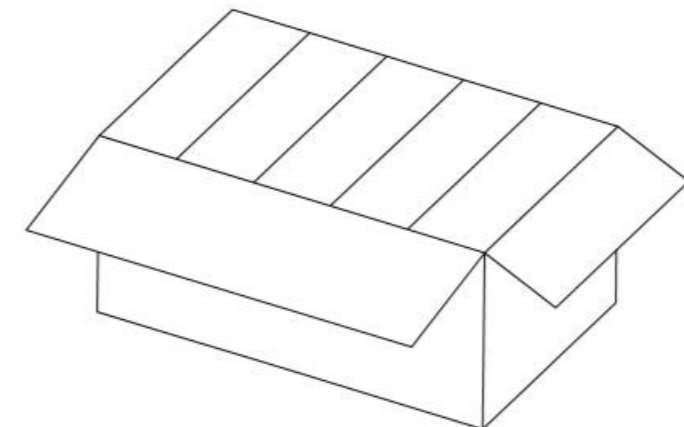
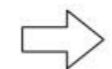
P	LTR	DESCRIPTION	DATE	DWN	APVD



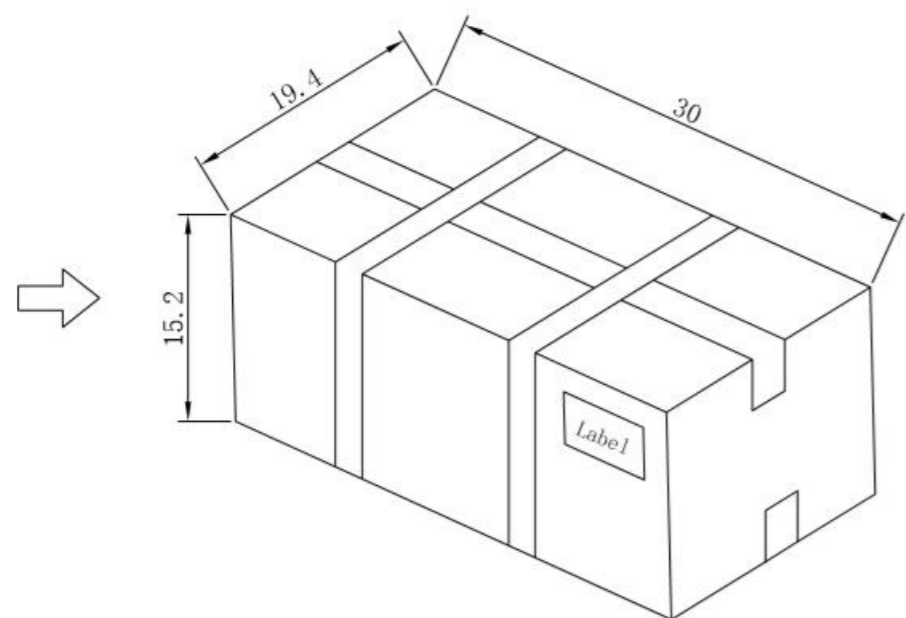
VACUUM PACKING(5PCS/BAG)



INNER BOX(10PCS/BOX)



OUTER BOX(150PCS/BOX)



PACKAGE

(BOX SIZE ONLY FOR REFERENCE, UNIT: CM)

THIS DRAWING IS A CONTROLLED DOCUMENT.		DWN JZ	10MAR2020		
DIMENSIONS: mm		CHK RZ	10MAR2020		
		APVD RS	10MAR2020		
TOLERANCES UNLESS OTHERWISE SPECIFIED:		PRODUCT SPEC	108-115175		
0 PLC ±0.3 1 PLC ±0.2 2 PLC ±0.20 3 PLC ±0.200 4 PLC ±0.2000 ANGLES ±		APPLICATION SPEC	408-160015	NAME 4.3-10 STRAIGHT PLUG, SCREW FOR 1/2 CABLE CLAMP TYPE	
MATERIAL SEE TABLE	FINISH SEE TABLE	WEIGHT	61.5g	SIZE A3	CAGE CODE 00779
-		CUSTOMER DRAWING		DRAWING NO C-2081971	RESTRICTED TO -
-		SCALE 1:1		SHEET 2 OF 2	REV A

单击下面可查看定价，库存，交付和生命周期等信息

[>>TE Connectivity\(泰科\)](#)