
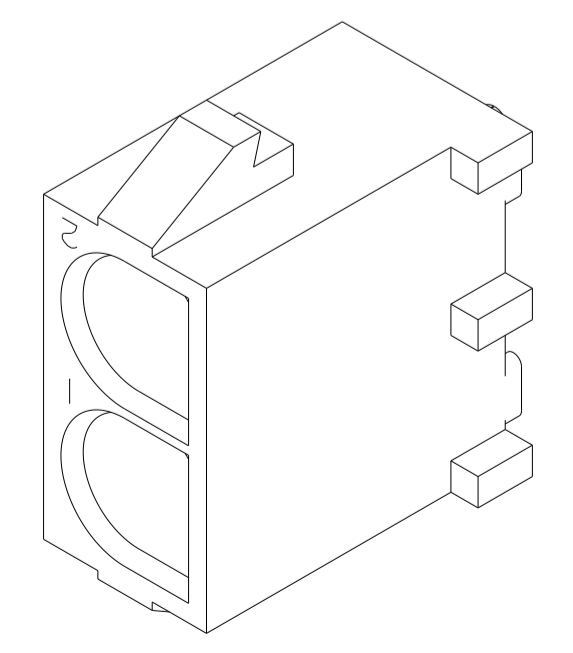
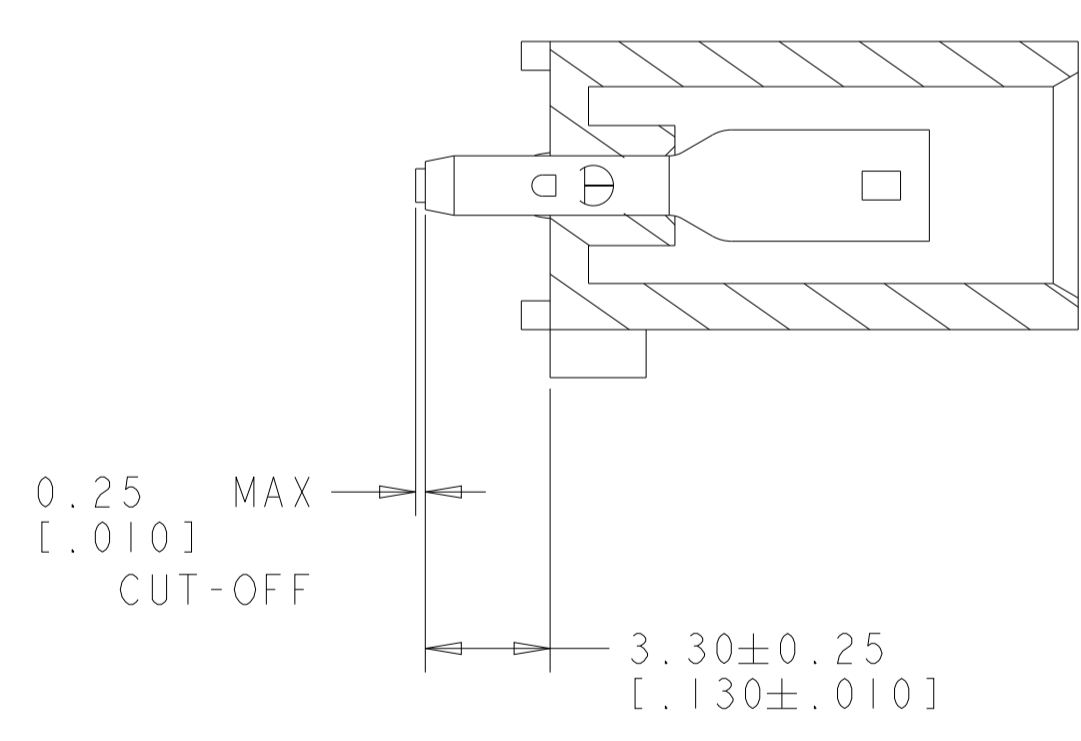
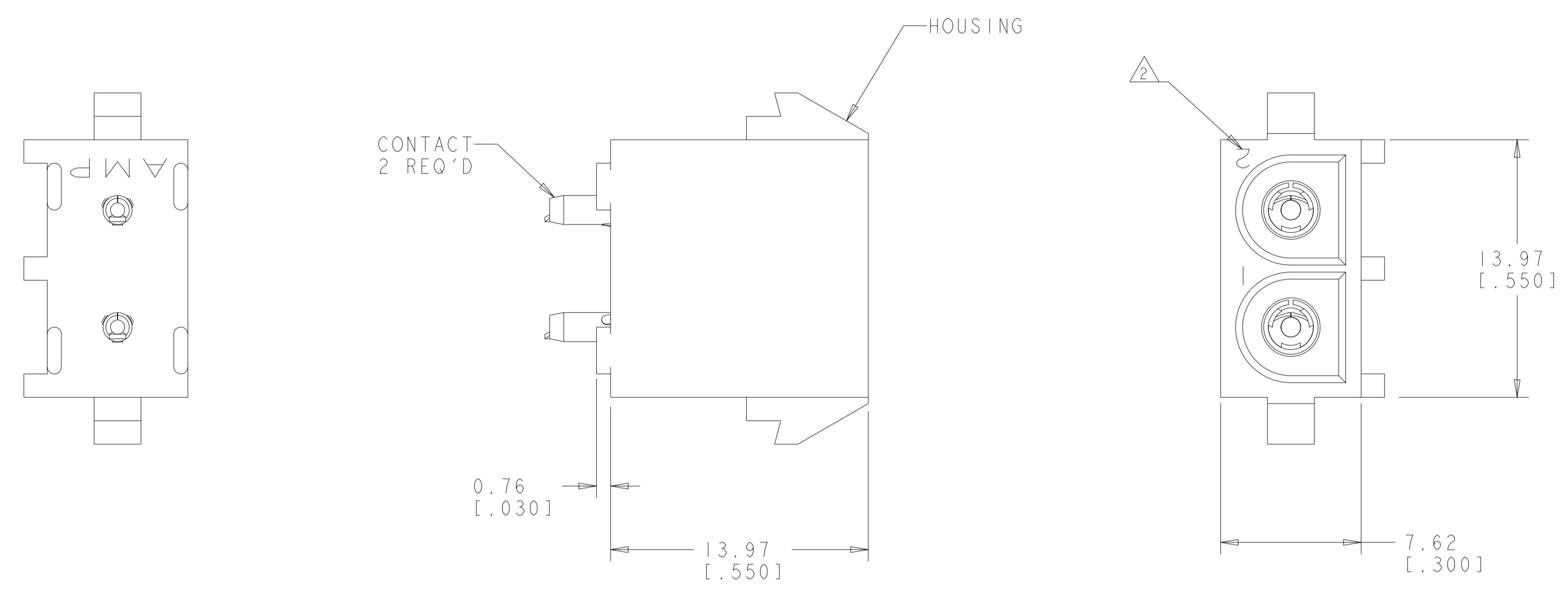
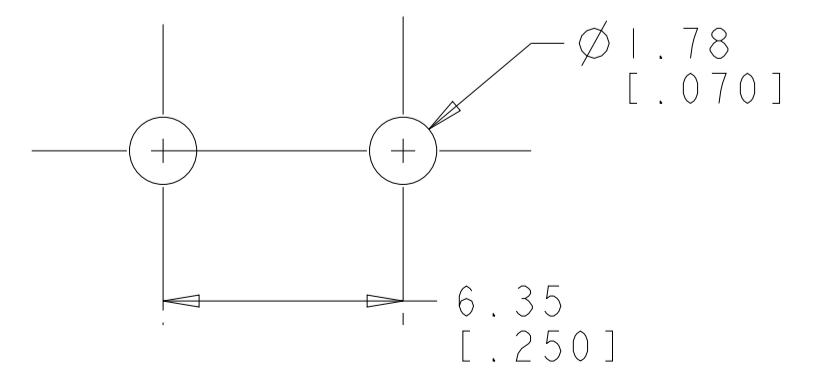


LOC		DIST		REVISIONS			
P	LTN	DESCRIPTION	DATE	DWN	APVD		
A		RELEASED PER WR-07-123	25SEP2007	KW	DC		
A1		REVISED PER ECR-21-119230	08NOV2021	SS	VS		

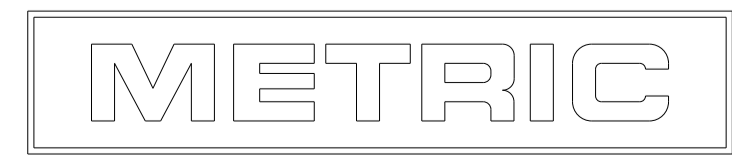
- PARTS COMPLY TO AMP SOLDERABILITY SPECIFICATION 109-11-2.
-  CIRCUIT IDENTIFICATION CHARACTERS ARE ADJACENT TO THE INDICATED CAVITIES, BUT LOCATION AND ORIENTATION MAY DIFFER FROM PRINT.
- DIMENSIONS SHOWN REPRESENT PRODUCT IN DRY CONDITION. ADDITIONAL 2% GROWTH DUE TO END USE LOCATION MOISTURE ABSORPTION MAY OCCUR AND SHOULD BE ACCOUNTED FOR.



3 DIMENSIONAL VIEW
SCALE 4:1



RECOMMENDED MOUNTING HOLE PATTERN
FOR 1.57 [.062] THICK P.C. BOARD



PHOSPOR BRONZE, PRE-TIN	NYLON, UL94V-2, NATURAL	2029000-1
PIN CONTACT MATERIAL AND FINISH	HOUSING MATERIAL AND COLOR	PART NUMBER
<small>THIS DRAWING IS UNPUBLISHED. RELEASED FOR PUBLICATION. ALL RIGHTS RESERVED. THIS DRAWING IS THE PROPERTY OF TYCO ELECTRONICS CORPORATION. IT IS TO BE CONTROLLED THROUGHOUT THE ENTIRE LIFE OF THE PRODUCT. IT IS TO BE CONTROLLED THROUGHOUT THE ENTIRE LIFE OF THE PRODUCT. IT IS TO BE CONTROLLED THROUGHOUT THE ENTIRE LIFE OF THE PRODUCT.</small>		DWN: K. WHITAKER 25SEP2007 CHK: D. COLEY 25SEP2007 APVD: D. COLEY 25SEP2007 NAME: SOCKET HEADER ASSEMBLY, 2 CIRCUIT, SHORT TAIL, UNIVERSAL MATE-N-LOK(TM) SIZE: A1 CAGE CODE: 00779 DRAWING NO: 2029000 RESTRICTED TO: A1
DIMENSIONS: mm [INCHES] TOLERANCES UNLESS OTHERWISE SPECIFIED: 0 PLC ± 1 PLC ± 2 PLC ±0.131(.005) 3 PLC ± 4 PLC ± ANGLES ±40°30' FINISH SEE TABLE	DWN: K. WHITAKER 25SEP2007 CHK: D. COLEY 25SEP2007 APVD: D. COLEY 25SEP2007 NAME: SOCKET HEADER ASSEMBLY, 2 CIRCUIT, SHORT TAIL, UNIVERSAL MATE-N-LOK(TM) SIZE: A1 CAGE CODE: 00779 DRAWING NO: 2029000 RESTRICTED TO: A1	Tyco Electronics Harrisburg, PA 17105-3608 SCALE: 5:1 SHEET: 1 OF 1 REV: A1
MATERIAL: SEE TABLE	FINISH: SEE TABLE	WEIGHT: -
CUSTOMER DRAWING		SCALE: 5:1 SHEET: 1 OF 1 REV: A1

单击下面可查看定价，库存，交付和生命周期等信息

[>>TE Connectivity\(泰科\)](#)