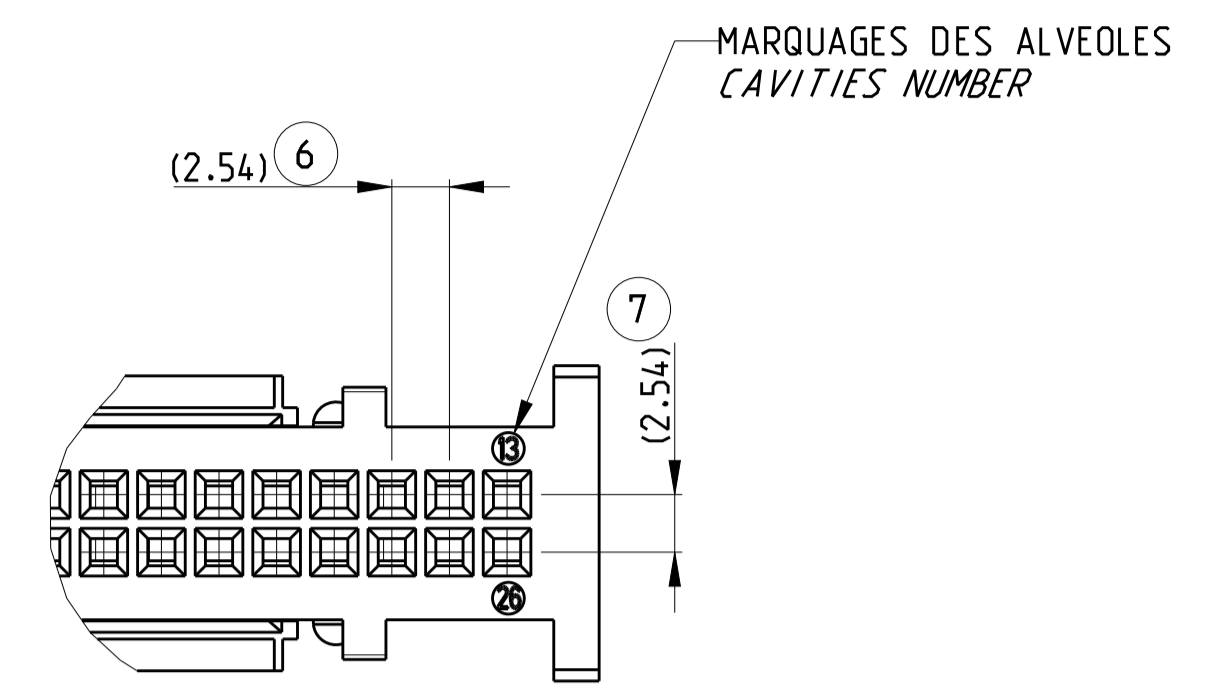
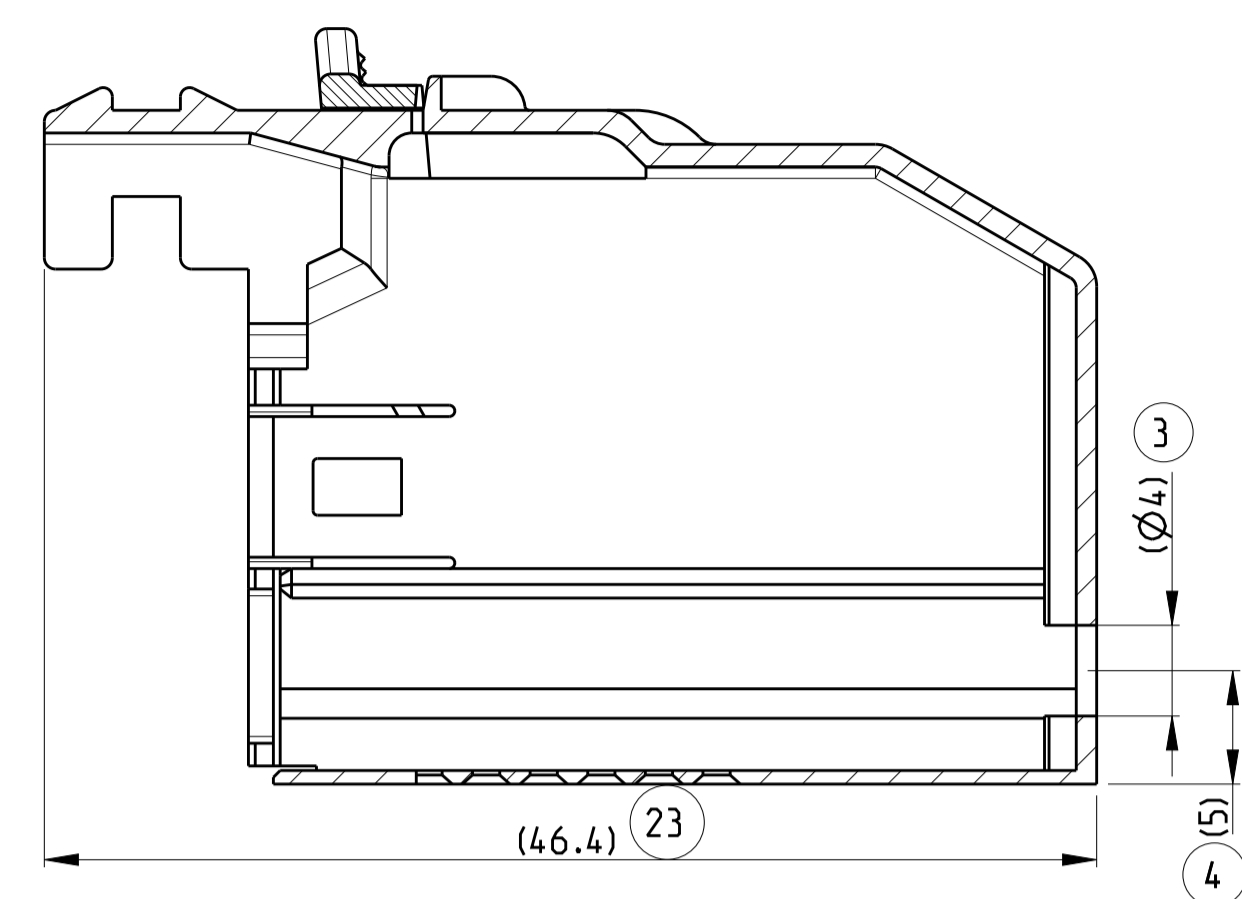
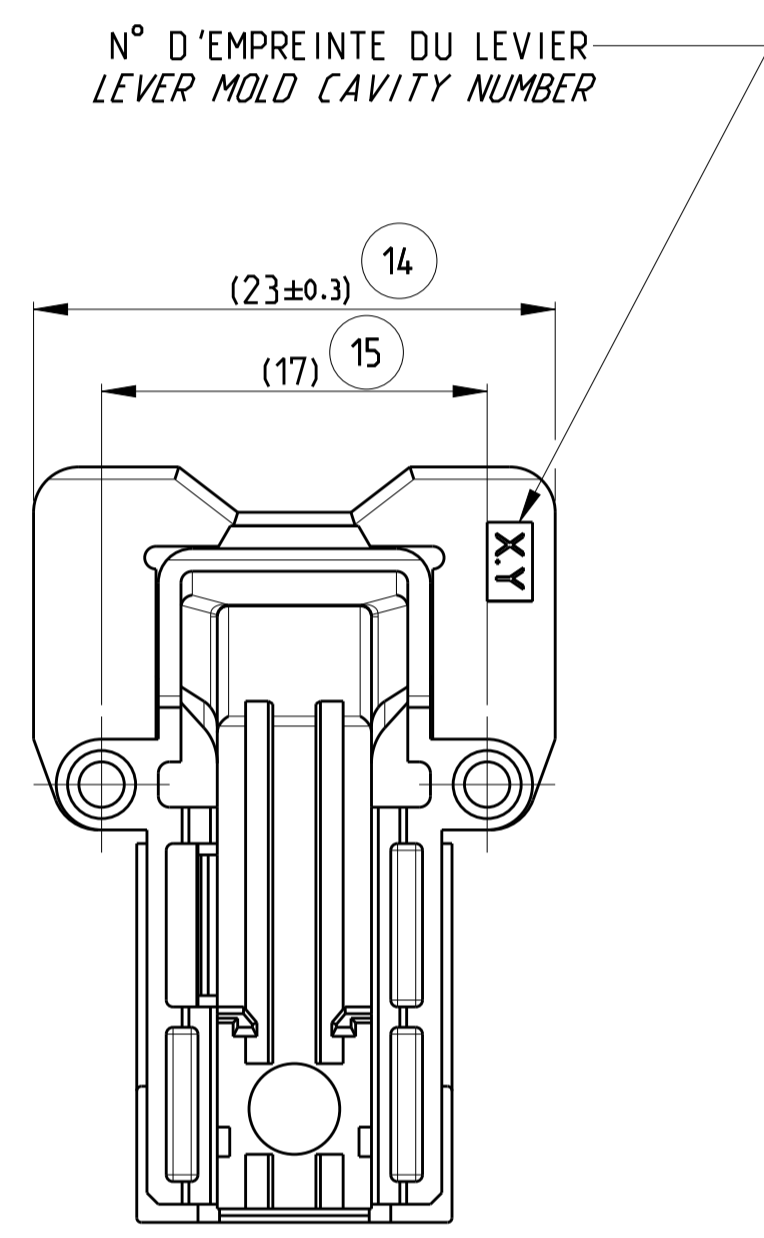
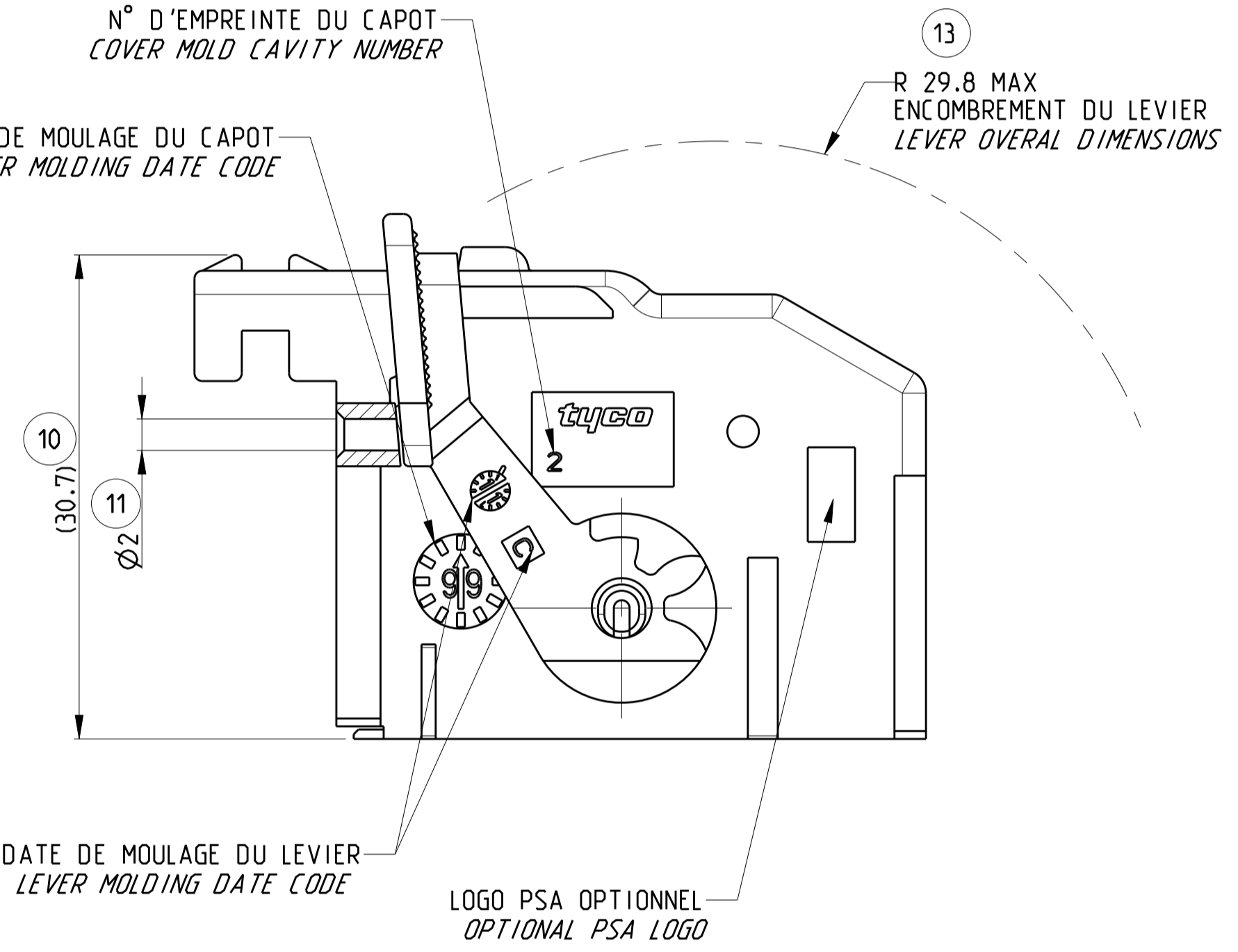


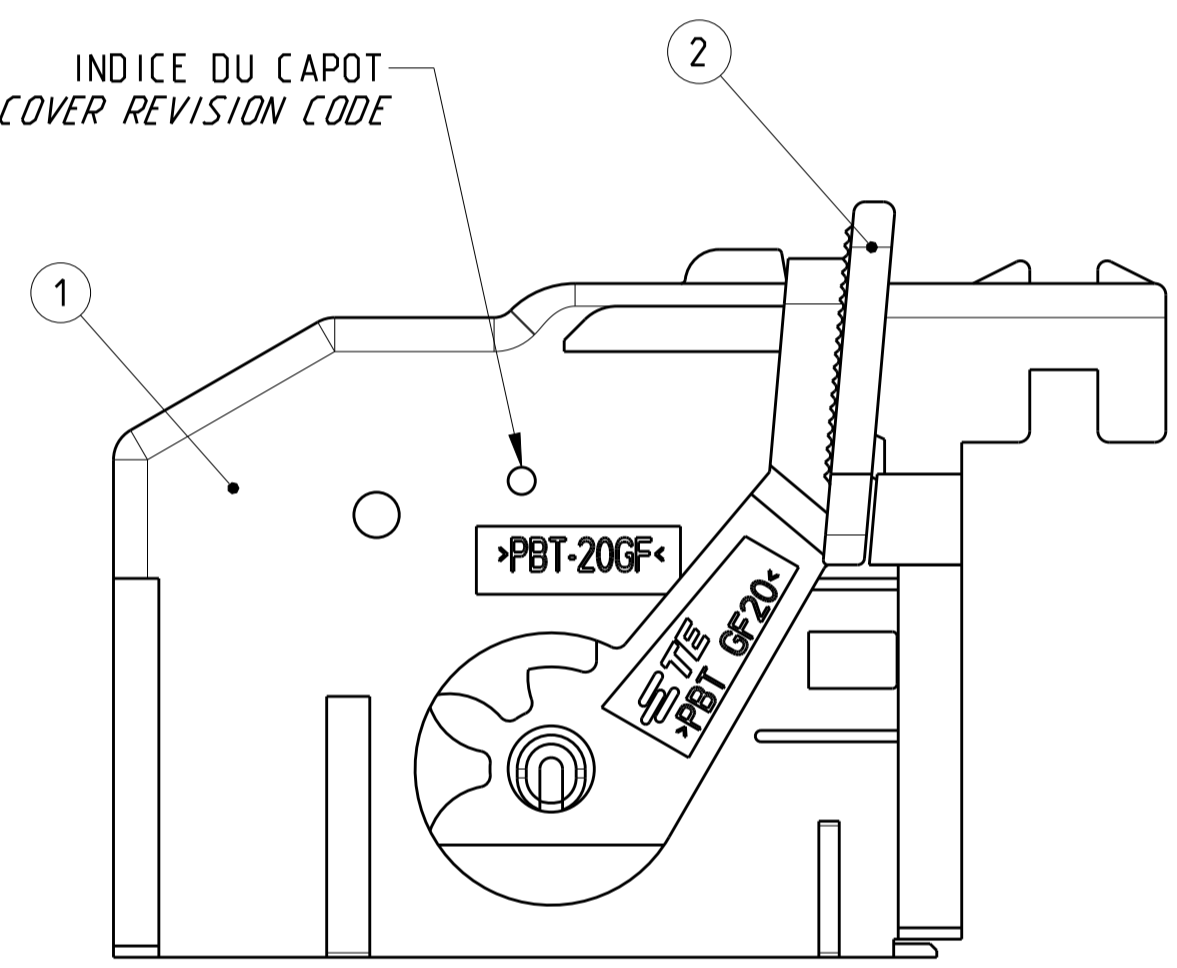
SECTION B-B



SECTION A-A



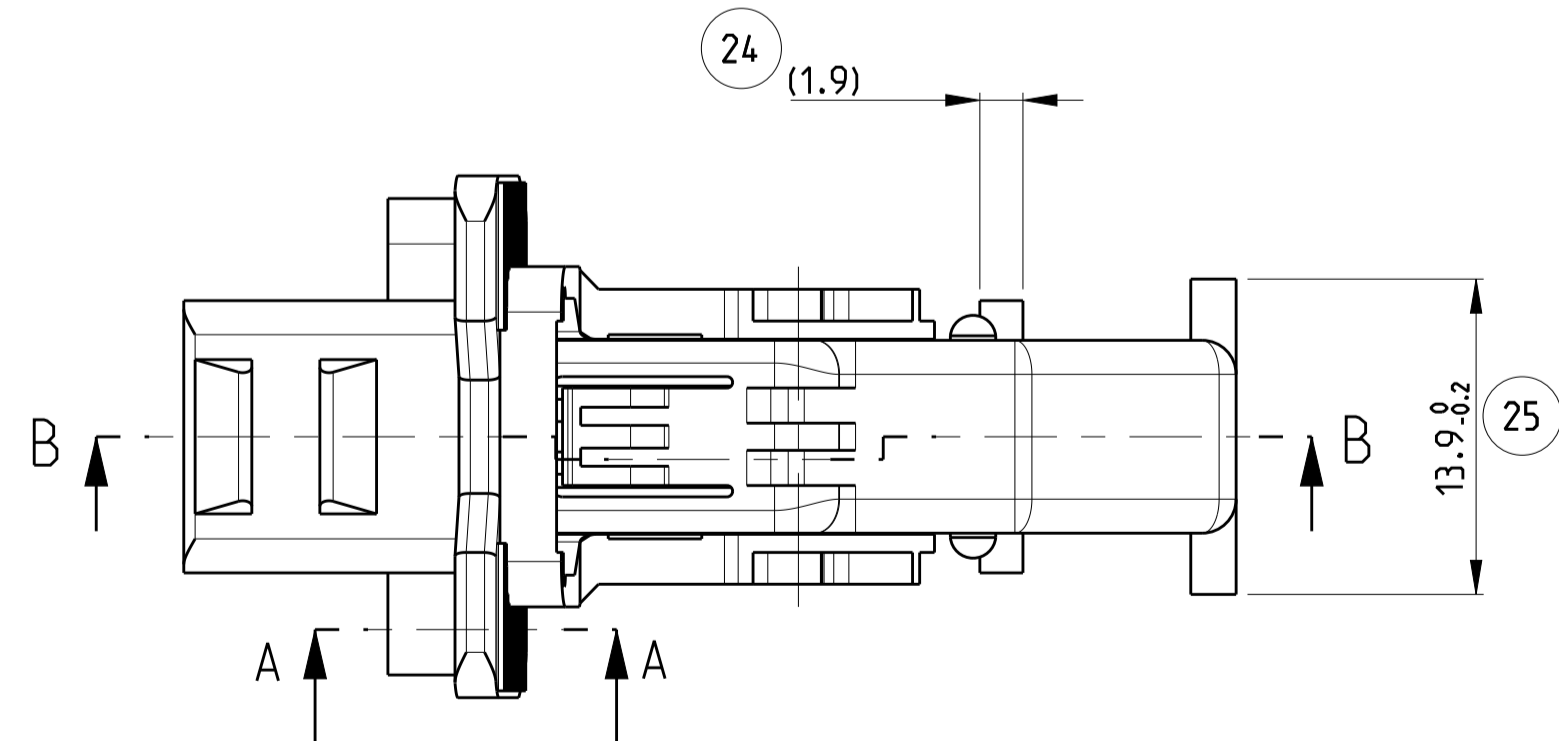
INDICE DU CAPOT COVER REVISION CODE



CODE DATE DE MOULAGE DU CAPOT COVER MOLDING DATE CODE

CODE DATE DE MOULAGE DU LEVIER LEVER MOLDING DATE CODE

LOGO PSA OPTIONNEL OPTIONAL PSA LOGO

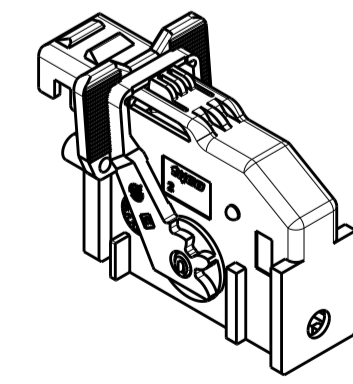


DESIGNATION DESCRIPTION	REP. ITEM	QTE	MATIERE MATERIAL	REFERENCE TE TE PART NUMBER	COULEUR COLOR	DETROMPAGE POLARISATION
CAPOT COVER	1	1	PBT20%FV	D 1-185879-4	VERT GREEN	
LEVIER LEVER	2	1	PBT20%FV		NOIR BLACK	
CAPOT COVER	1	1	PBT20%FV	D 1-185879-3	ROUGE RED	
LEVIER LEVER	2	1	PBT20%FV		NOIR BLACK	
CAPOT COVER	1	1	PBT20%FV	D 1-185879-2	BLEU BLUE	
LEVIER LEVER	2	1	PBT20%FV		NOIR BLACK	
CAPOT COVER	1	1	PBT20%FV	D 1-185879-1	JAUNE YELLOW	
LEVIER LEVER	2	1	PBT20%FV		NOIR BLACK	
CAPOT COVER	1	1	PBT20%FV	185879-4	VERT GREEN	
LEVIER LEVER	2	1	PBT20%FV		NOIR BLACK	
CAPOT COVER	1	1	PBT20%FV	185879-3	ROUGE RED	
LEVIER LEVER	2	1	PBT20%FV		NOIR BLACK	
CAPOT COVER	1	1	PBT20%FV	185879-2	BLEU BLUE	
LEVIER LEVER	2	1	PBT20%FV		NOIR BLACK	
CAPOT COVER	1	1	PBT20%FV	185879-1	JAUNE YELLOW	
LEVIER LEVER	2	1	PBT20%FV		NOIR BLACK	

NOTES:

1 - CABLAGE MAXI : 8 FILS DE SECTION 0.6 mm² (DIA MAXI ISOLANT DE 1.9 mm) POUR FORCE D'INSERTION MODULE/PORTE MODULE : F<20N ET POUR ETRE EN CONFORMITE AVEC LA SPEC. 108-15158

- MAXIMAL CABLING : 8 WIRES SECTION 0.6mm² (DIA MAXIMAL INSULATOR 1.9mm) FOR THE INSERTION FORCE MODULE/ASSY COVER : F<20N AND TO BE IN ACCORDANCE WITH THE SPEC. 108-15158



ECHELLE:1:1 SCALE

COMPOSANTS ASSOCIES MATING PARTS	
REF. TE TE PART NUMBER	DESIGNATION
185875-1	PORTE CLIP 26 VOIES MQS RECEPTACLE HSG 26 W MQS

185879-1 REPRESENTEE AS SHOWN

THIS DRAWING IS A CONTROLLED DOCUMENT. (It also is an integral part of the contract. It is not to be distributed outside the project. It is not to be used for other projects without the written approval of the project manager.)		DIMENSIONS: mm TOLERANCES UNLESS OTHERWISE SPECIFIED: 1. PLE/POLE ±0.2 2. PLE/POLE ±0.2 3. PLE/POLE ±0.2 4. PLE/POLE ±0.2 ANGLES FINISH ±5°	DWG. REVISION: 23DEC2008 Philippe BACHELOT CDR. PROJET JP PICAUD APVD. APPROVE NAME: ASSEMBLY COVER 26W MQS GENE 2 PORTTE MODULE 26 VOIES MQS GENE 2 PRODUCT SPEC: PRODUIT 108-15158 APPLICATION SPEC: APPLICATION SPEC 411-15581 WEIGHT/MASSE APPROX: 6.3 gr CUSTOMER DRAWING /PLAN CLIENT	TE Connectivity ASSEMBLY COVER 26W MQS GENE 2 PORTTE MODULE 26 VOIES MQS GENE 2 SIZE: A1 CAGE CODE: 00779 DRAWING NO: 185879 RESTRICTED TO RESERVE A SHEET 1 OF 1 REV D
---	--	---	---	---

单击下面可查看定价，库存，交付和生命周期等信息

[>>TE Connectivity\(泰科\)](#)