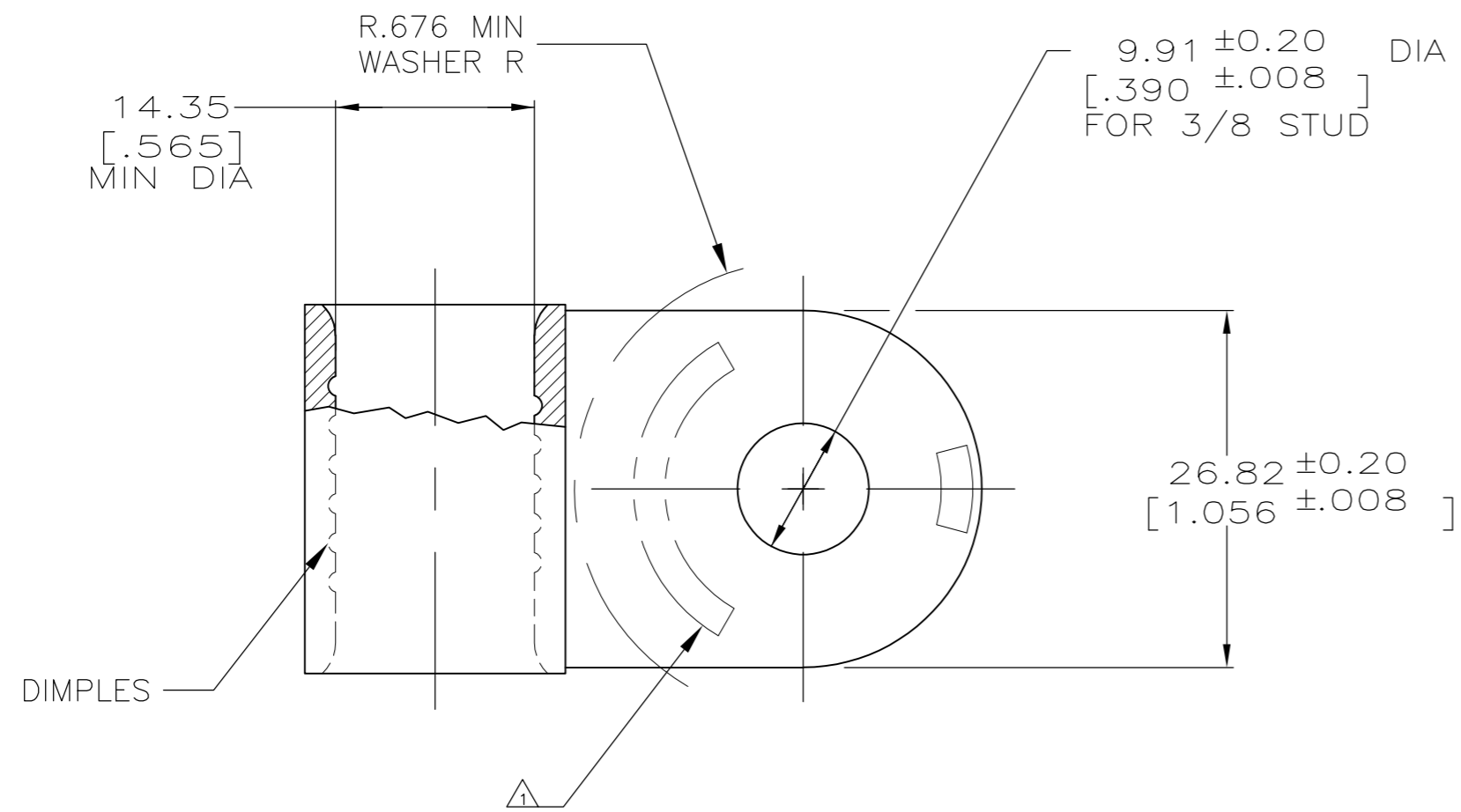


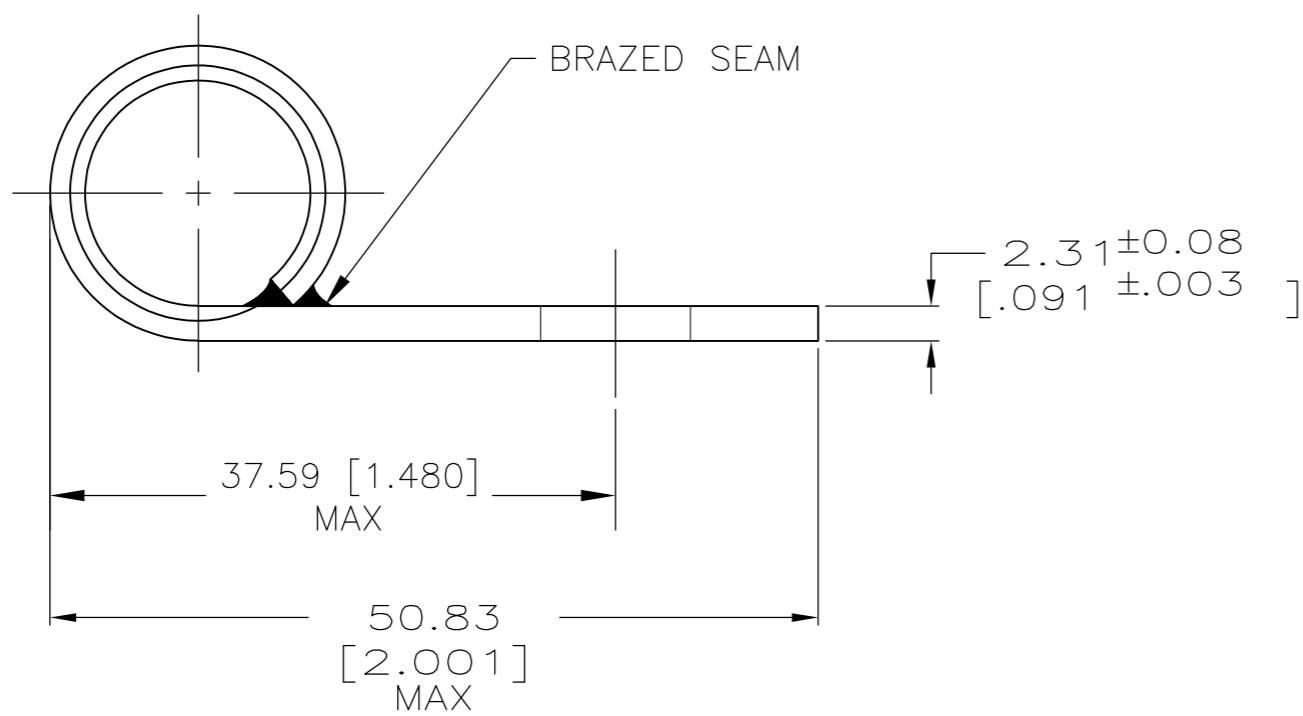
THIS DRAWING IS UNPUBLISHED. RELEASED FOR PUBLICATION
 © COPYRIGHT - By - ALL RIGHTS RESERVED.

| LOC | DIST | REVISIONS | | | |
|-----|------|-------------|---------------------------|---------|-------|
| P | LTR | DESCRIPTION | DATE | DWN | APVD |
| G | 14 | D1 | REVISED PER ECO-12-003798 | 29FEB12 | KH DR |



| | | |
|------------------------------|-----------------------|------------------------------|
| AMP WIRE RANGE | Listed FILE E13288 | LR7189 Certified |
| 3/0 AWG SOLID OR STRANDED | 3/0 AWG STRANDED | 3/0 AWG SOLID OR STRANDED |

- 1 STAMP AMP 3/0W* APPROX AS SHOWN
- 2 COPPER PER ASTM B-152, ANNEALED
- 3 0.00254 [.000100] MIN TIN PER ASTM B-545



327887
 PART NO

| | | |
|----------------------------------------------------------------------------------|----------------------------------------------|-------------------------------------------------------------------------------------------------------------------------------------------------------------------------------|
| AMP INCORPORATED CUSTOMER SERVICE SYSTEMS | | MAX RECOMMENDED OPERATING TEMPERATURE: 170° C |
| FOR ADDITIONAL PRODUCT INFORMATION OR COPIES OF DRAWINGS AND TECHNICAL DOCUMENTS | PRODUCT INFORMATION CENTER 1-800-522-6752 | VOLTAGE RATING: N/A |
| FOR APPLICATION TOOLING INFORMATION | TOOLING ASSISTANCE CENTER 1-800-722-1111 | CIRCULAR MIL AREA: 76.3-96.3mm ² [150,000-190,000] SOLID OR STRANDED |
| FOR ORDER ENTRY | 1-800-526-5142 | THIS DRAWING IS A CONTROLLED DOCUMENT FOR AMP INCORPORATED. IT IS SUBJECT TO CHANGE AND THE CONTROLLING ENGINEERING ORGANIZATION SHOULD BE CONTACTED FOR THE LATEST REVISION. |

| | | | | | |
|--------------------------------------------------------------------------------------|---------------|----------------------------------|-------------------------------------------------|--------------------|------------------------|
| THIS DRAWING IS A CONTROLLED DOCUMENT. | | DWN DK SCHRUM 18NOV94 | TE Connectivity | | |
| DIMENSIONS: INCHES | | CHK DA PATTERSON 21NOV94 | | | |
| TOLERANCES UNLESS OTHERWISE SPECIFIED: | | APVD DA PATTERSON 21NOV94 | NAME TERMINAL, RING TONGUE, FLAG, SOLISTRAND | | |
| 0 PLC ± - 1 PLC ± - 2 PLC ± 0.20[.008] 3 PLC ± - 4 PLC ± - ANGLES ± - | | PRODUCT SPEC APPLICATION SPEC | SIZE A2 | CAGE CODE 00779 | DRAWING NO C=327887 |
| MATERIAL - 2 | FINISH - 3 | WEIGHT - | RESTRICTED TO - | SCALE 2:1 | SHEET 1 of 1 |
| CUSTOMER DRAWING | | | REV D1 | | |

单击下面可查看定价，库存，交付和生命周期等信息

[>>TE Connectivity\(泰科\)](#)