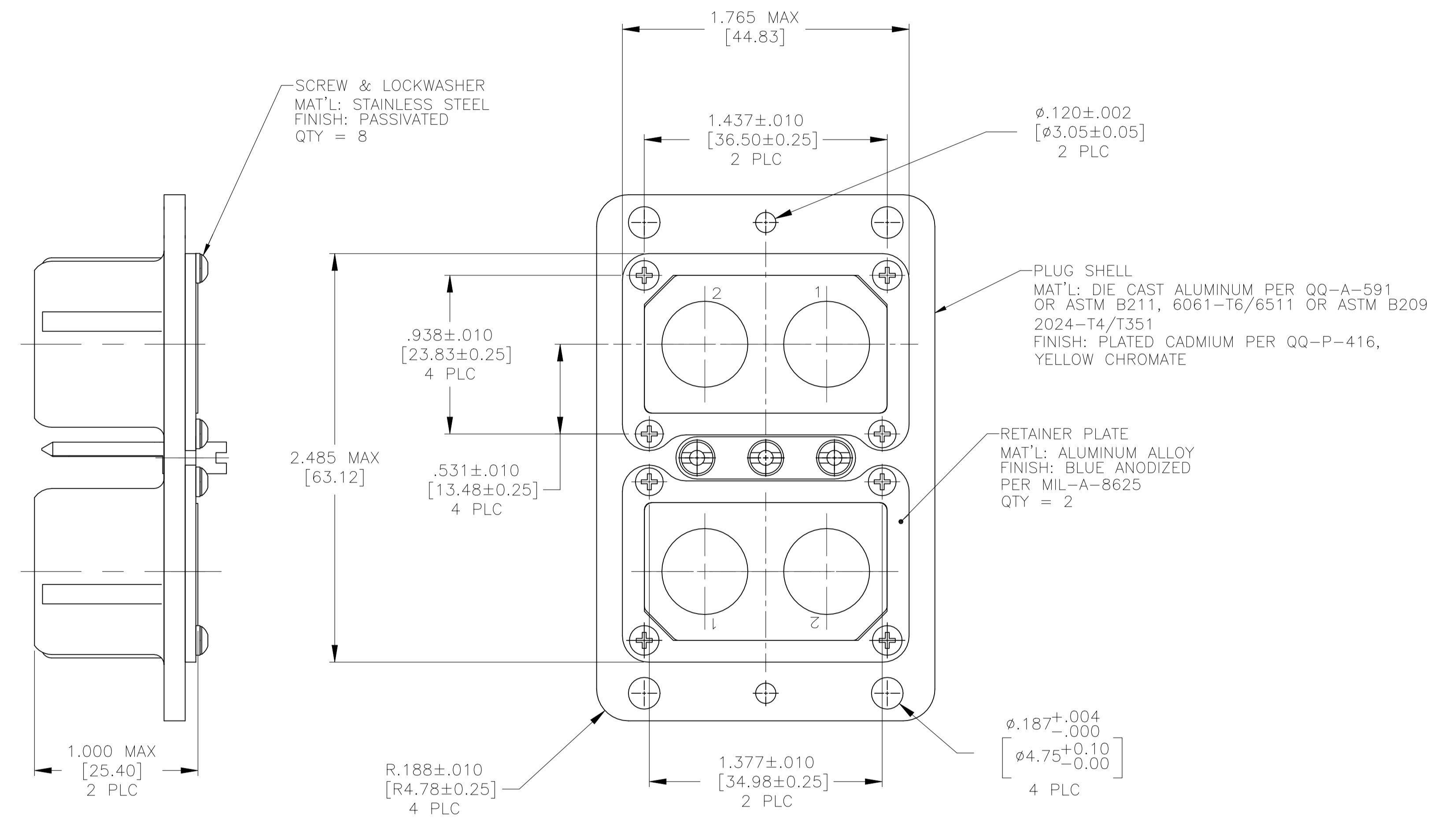
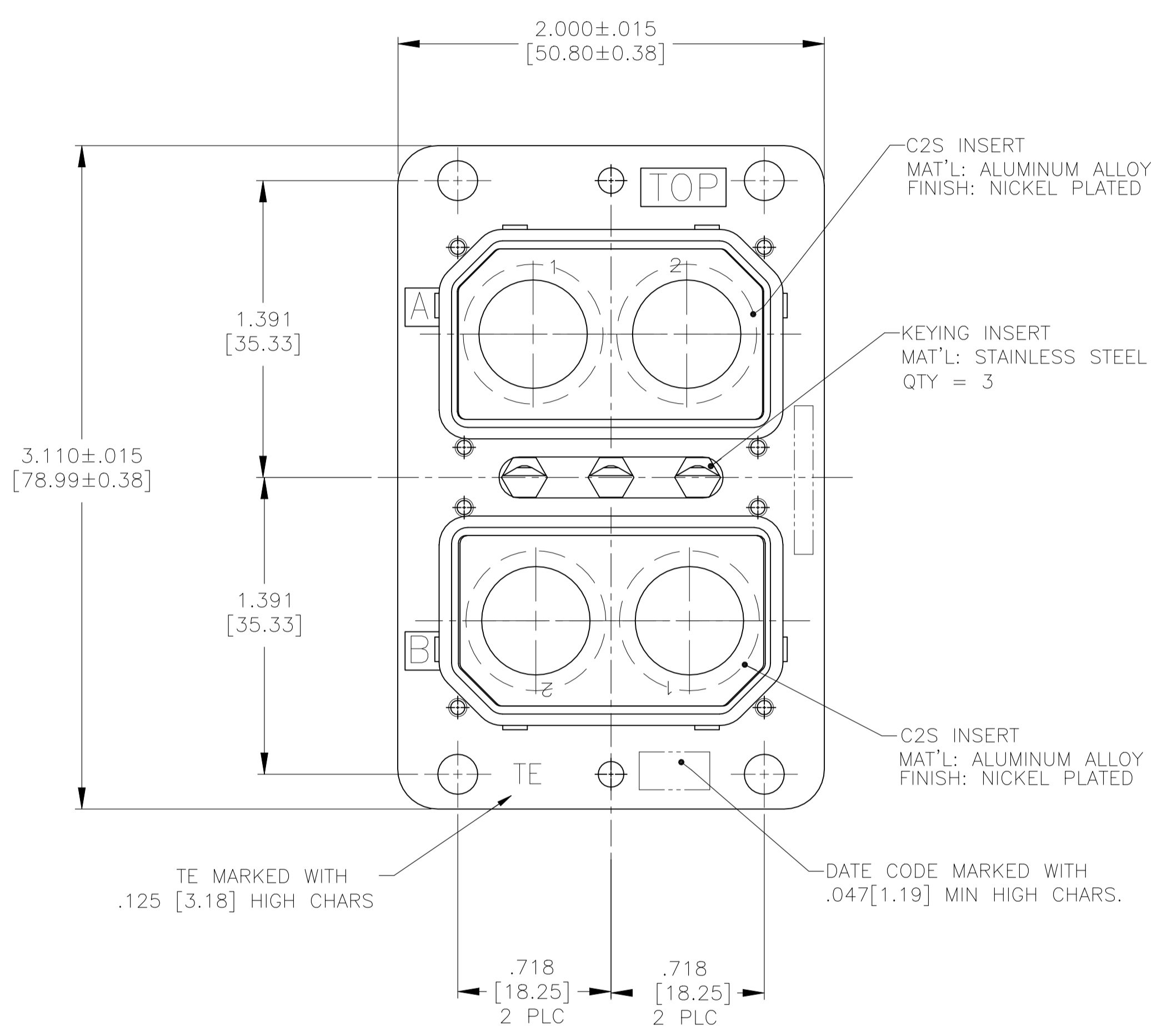


REVISIONS				
P	LTR	DESCRIPTION	DATE	BY
F		REV PER ECO 20-015430	5-24-21	CT



- CONNECTOR DIMENSIONS ARE PER ARINC 404 SPECIFICATION.
- KEYING SHOWN IN POSITION "01" FOR ILLUSTRATION ONLY. CONNECTORS SHIPPED WITH KEYING INSTALLED IN POSITION PER TABLE. FOR POSITION "00" KEYING HARDWARE SHIPPED UNASSEMBLED.

"02"	1757677-2
"01"	1757677-1
KEYING POSITION	PART NO.

THIS DRAWING IS A CONTROLLED DOCUMENT.

DIMENSIONS: INCHES	TOLERANCES UNLESS OTHERWISE SPECIFIED:	DIN C.C.THOMAS 1-27-05	APPROVED LARRY OH 1-27-05
0 PLC ± .005	1 PLC ± .005	1-27-05	NAME LARRY OH
2 PLC ± .005	3 PLC ± .005 [0.13]		PRODUCT SPEC
4 PLC ± .005	ANGLES ± .005		APPLICATION SPEC
MATERIAL	FINISH	WEIGHT 0.000000	RESTRICTED TO
		A1 00779 C=1757677	
CUSTOMER DRAWING		SCALE 2:1	SHEET 1 OF 1 REV F

TE Connectivity

PLUG ASSY,ARINC 404,R2PC2SC2S-46XX (201)

单击下面可查看定价，库存，交付和生命周期等信息

[>>TE Connectivity\(泰科\)](#)