

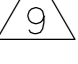


THIS DRAWING IS UNPUBLISHED. RELEASED FOR PUBLICATION 1825032, 1825032
 © COPYRIGHT By - ALL RIGHTS RESERVED.



LOC		DIST		REVISIONS			
P	LTR	DESCRIPTION		DATE	DWN	APVD	
	A2	REVISED PER ECO-11-021742		05NOV11	KH	PO	

- OPERATING TEMPERATURE: -20°C TO 80°C.
- STORAGE TEMPERATURE: -40°C TO 80°C.
- CONTACT TIMING: NON-SHORTING.
- CONTACT RATING: 0.4VA @ 20VDC.
- CONTACT RATING MAXIMUM: 50mA 48V AC/DC.
- CONTACT RATING MINIMUM: 1µA 20mV AC/DC.
-  CONTACT PLATING: GOLD OVER NICKEL.
-  FIXED CONTACT/TERMINAL: GOLD OVER NICKEL.
-  FRAME PLATING: TIN OVER NICKEL.
- INITIAL CONTACT RESISTANCE: LESS THAN 50 MILLIOHMS PER EIA 364-23B.
- FINAL CONTACT RESISTANCE: 100 MILLIOHMS MAX PER EIA 364-23B.
- INSULATION RESISTANCE: 500 MEGOHMS MIN AT 250VDC PER EIA 364-21C.
- DIELECTRIC STRENGTH: 500VAC BETWEEN TERMINALS AND GROUND PER EIA 364-20B, CONDITION 1.
- VIBRATION PER EIA 364-28D, CONDITION VII, LEVEL E.
- MECHANICAL SHOCK PER EIA 364-27B, CONDITION A.


16. LIFE EXPECTANCY: ON-OFF ELECTRICAL SWITCHING OPERATIONS PER EIA 364-9C 10 CYCLES PER MINUTE AT THE FOLLOWING RATED LOAD.

TYPE	MAXIMUM CONTACT RATING	0.4 VA	MINIMUM CONTACT RATING
D.E	10000 (OPERATIONS)	30000 (OPERATIONS)	30000 (OPERATIONS)

- ACTUATION FORCE: 70-500g PER EIA 364-13B.
- THERMAL SHOCK PER EIA 364-32C, -25°C TO 85°C.
- HUMIDITY-TEMPERATURE CYCLING PER EIA 364-31B, METHOD III.
- TEMPERATURE LIFE PER EIA 364-17B, METHOD B, TEMPERATURE TEST CONDITION 3, TIME CONDITION B.
- RESISTANCE TO SOLDER HEAT PER 109-202,CON B.
- SOLDERABILITY PER EIA 364-52, CLASS 2, CATEGORY 1.
- SEALED PER IEC 529, IP67.
- ALL MATERIALS AND FINISHES SHALL COMPLY WITH EU DIRECTIVE 2000/95/EC OF 27 JAN2003 (ROHS)

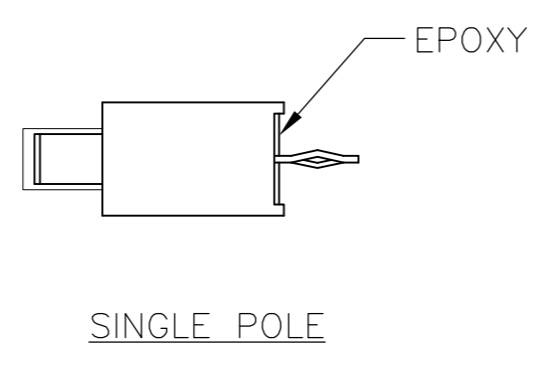
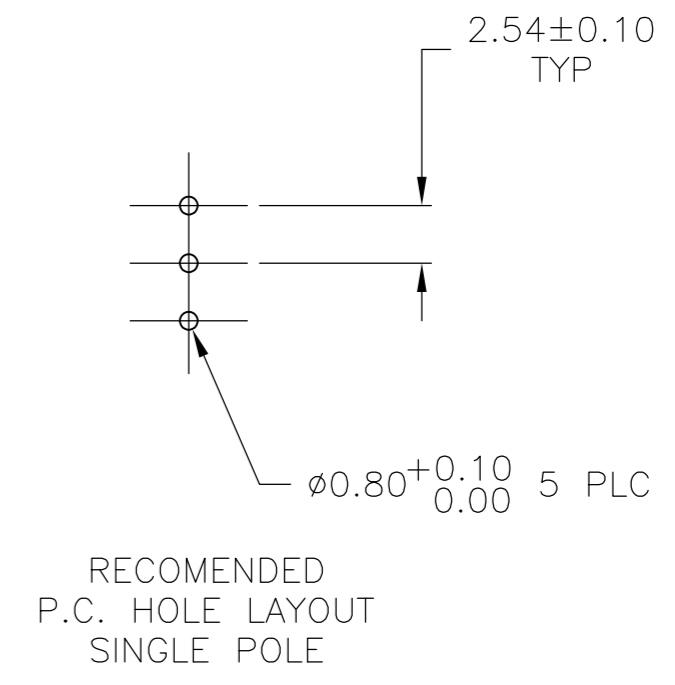
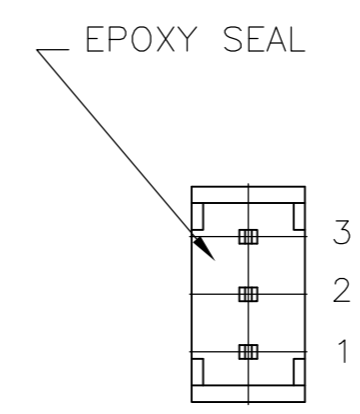
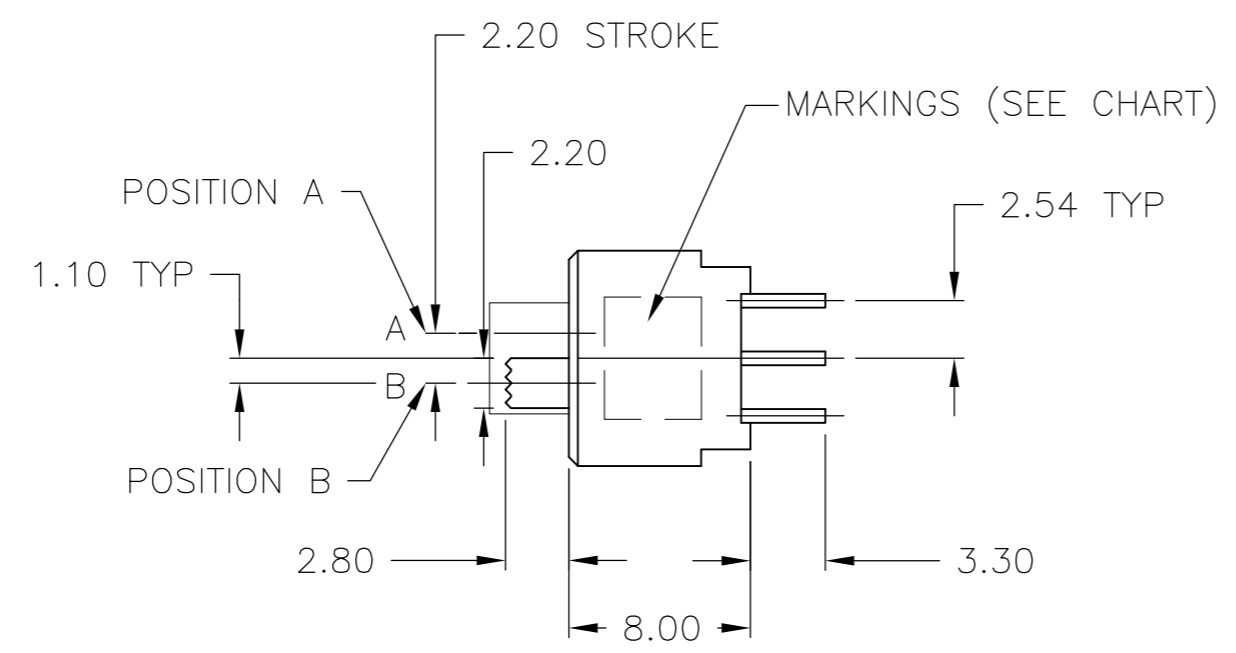
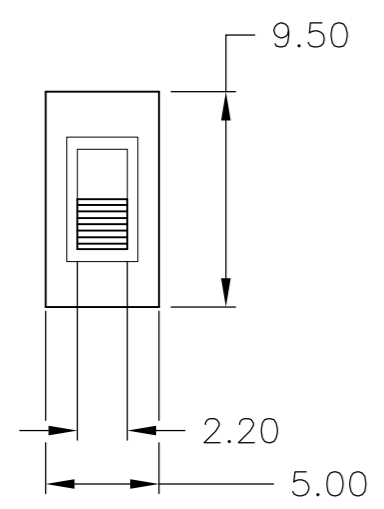
COLOR- BLACK	PA RESIN	SLIDE PLATE
COLOR- BLACK	PEI RESIN	BASE
OIL TREATED	PIANO WIRE	SPRING
COLOR- WHITE	PA RESIN	SLIDE PIN
-	SILICON RUBBER	ACTUATOR BOOT
	PHOS BRONZE	MOVING CONTACT
	PHOS BRONZE	FIXED CONTACT /TERMINAL
COLOR- YELLOW	PBT RESIN	ACTUATOR
	BRASS	FRAME
COLOR- GRAY	PBT RESIN	CASE
FINISH	MATERIAL	PART DESCRIPTION

ON 2-3 5-6	OFF	ON 2-1 5-4	ALCO	SE2EGPC04	1825032-4
ON 2-3 5-6	NONE	ON 2-1 5-4	ALCO	SE2DGP04	1825032-3
ON 2-3	OFF	ON 2-1	ALCO	SE1EGPC04	1825032-2
ON 2-3	NONE	ON 2-1	ALCO	SE1DGPC04	1825032-1
 POSITION A		 POSITION B	MARKINGS	ALCOSWITCH PART NUMBER	PART NUMBER
CIRCUIT ARRANGEMENT					
CIRCUIT CHARACTERISTICS					

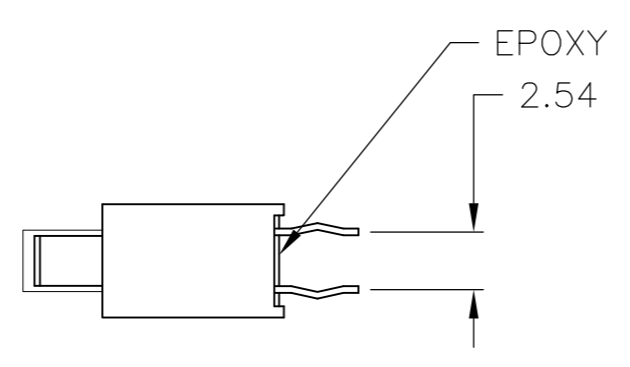
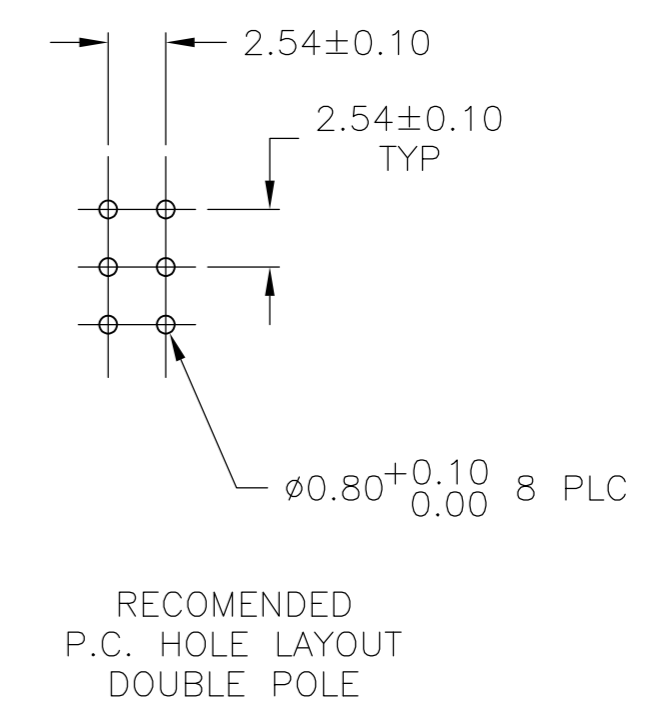
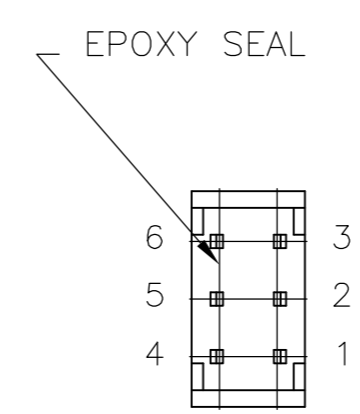
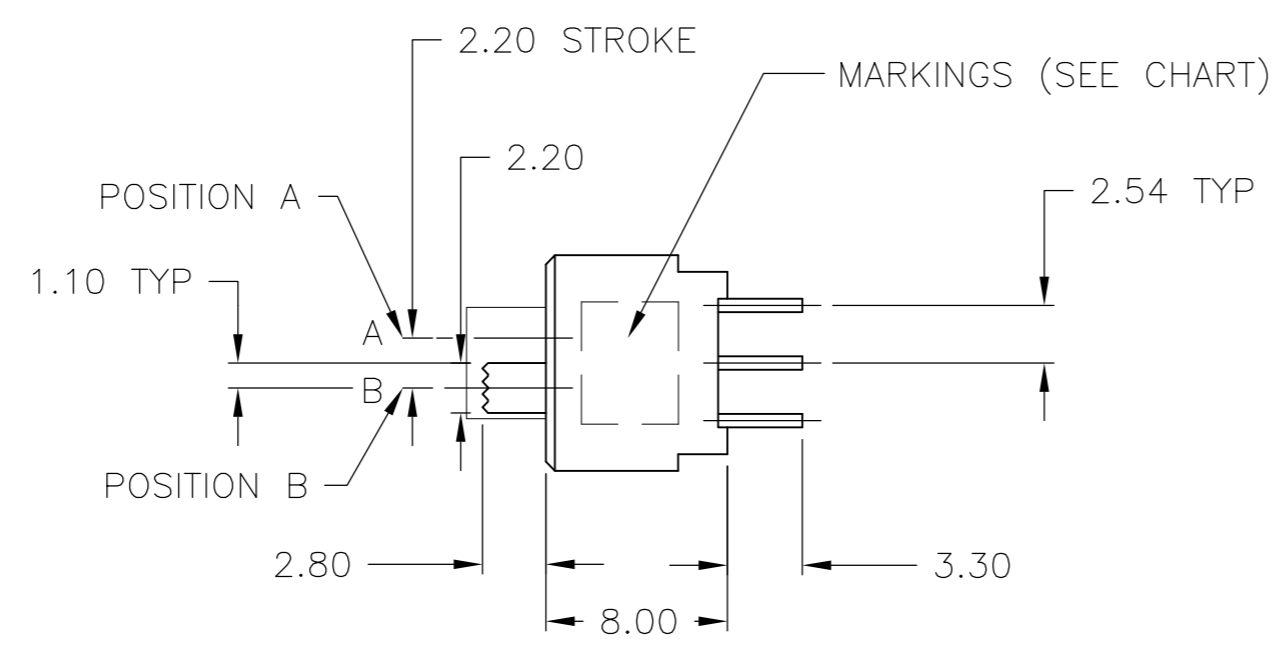
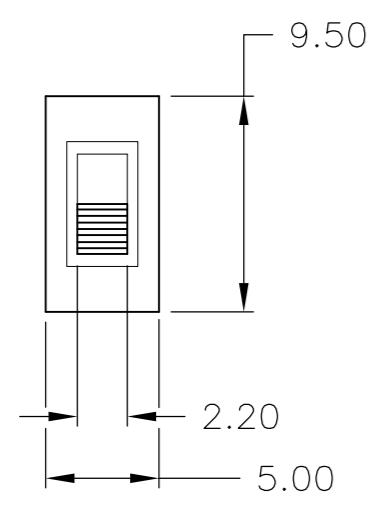
THIS DRAWING IS A CONTROLLED DOCUMENT.		DWN	B.S.VISWESWARA	03MAR05	 TE Connectivity
DIMENSIONS: mm		CHK	M.S.SARVER	-	
TOLERANCES UNLESS OTHERWISE SPECIFIED:		APVD	-	-	
0 PLC ± - 1 PLC ± - 2 PLC ± 0.25 3 PLC ± - 4 PLC ± - ANGLES ± 0°30'		PRODUCT SPEC	-	-	
MATERIAL	FINISH	WEIGHT	-	-	NAME SWITCH, SLIDE, SEALED SE(**)GPC SIZE A2 CAGE CODE - DRAWING NO C=1825032 RESTRICTED TO - SCALE 1:1 SHEET 1 OF 2 REV A2
CUSTOMER DRAWING					

THIS DRAWING IS UNPUBLISHED. RELEASED FOR PUBLICATION 1825032, 1825032
 © COPYRIGHT 1825032y - ALL RIGHTS RESERVED.

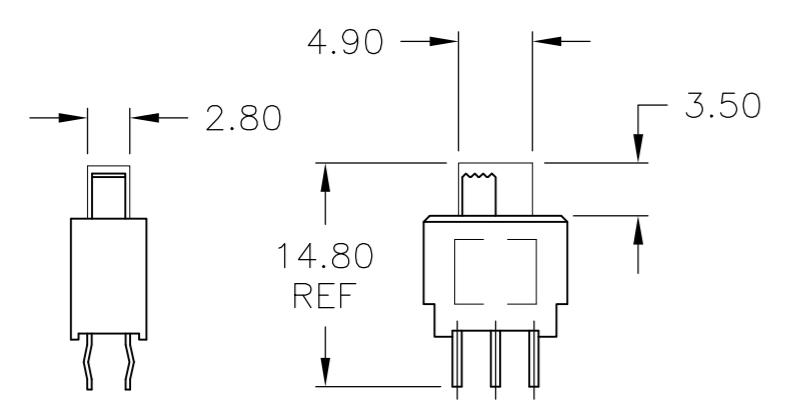
LOC	DIST	REVISIONS			
P	LTR	DESCRIPTION	DATE	DWN	APVD
AD	00	SEE SHEET 1	-	-	-



SINGLE POLE



DOUBLE POLE



ACTUATOR BOOT DIMENSIONS SCALE 2:1

THIS DRAWING IS A CONTROLLED DOCUMENT.		DWN	03MAR05	
DIMENSIONS: mm		CHK	B.S.VISWESWARA	
TOLERANCES UNLESS OTHERWISE SPECIFIED:		APVD	M.S.SARVER	
0 PLC ± -		PRODUCT SPEC	-	
1 PLC ± -		APPLICATION SPEC	-	
2 PLC ± 0.25		WEIGHT	-	
3 PLC ± -		CUSTOMER DRAWING	SCALE 3:1 SHEET 2 OF 2 REV A2	
4 PLC ± -		FINISH	-	
ANGLES ± 0°30'		TE Connectivity SWITCH, SLIDE, SEALED SE(**)GPC		
MATERIAL -		SIZE	CAGE CODE	DRAWING NO
		A2	-	1825032
		RESTRICTED TO		

单击下面可查看定价，库存，交付和生命周期等信息

[>>TE Connectivity\(泰科\)](#)