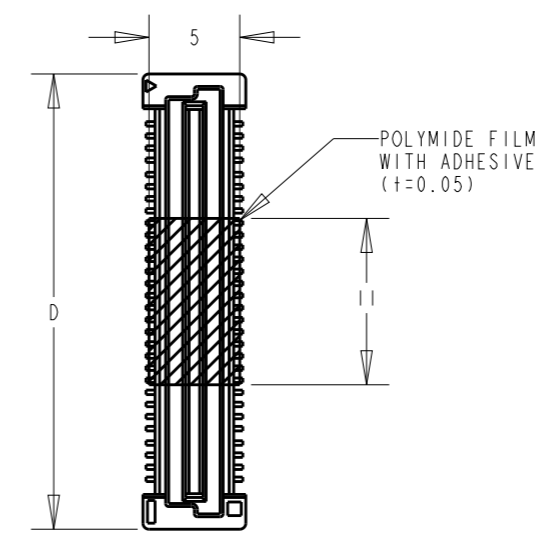
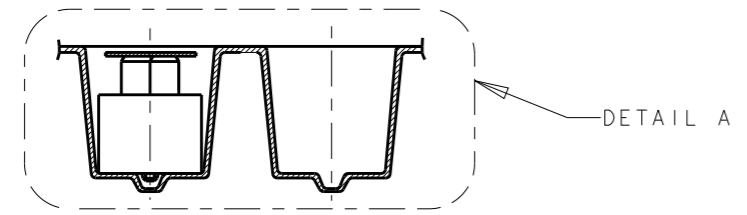
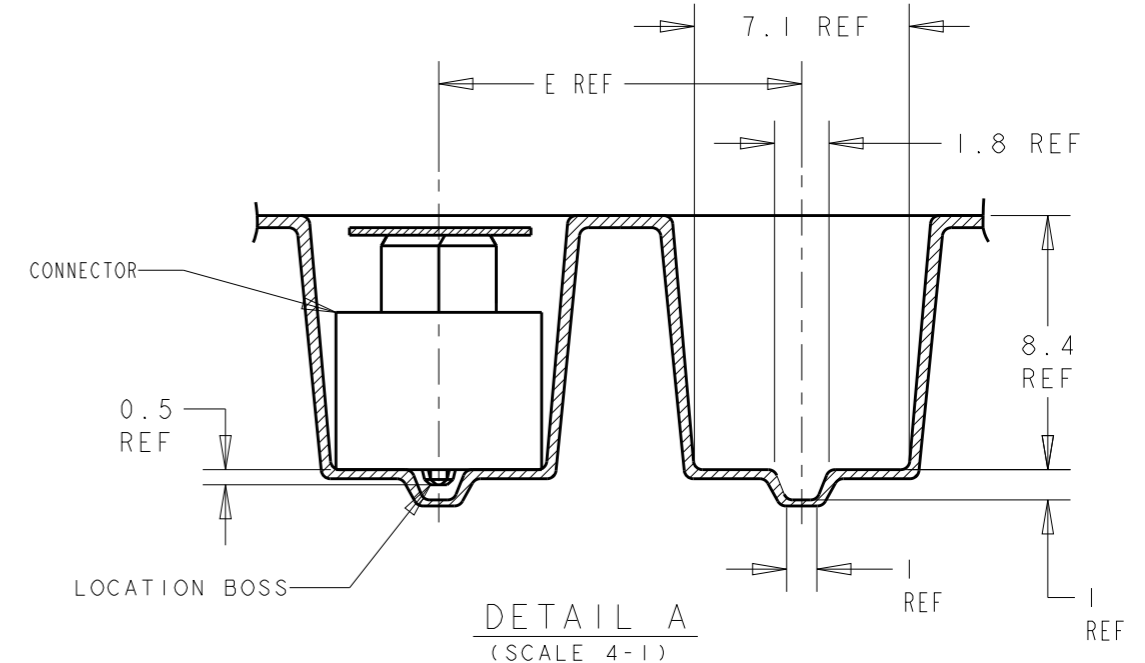
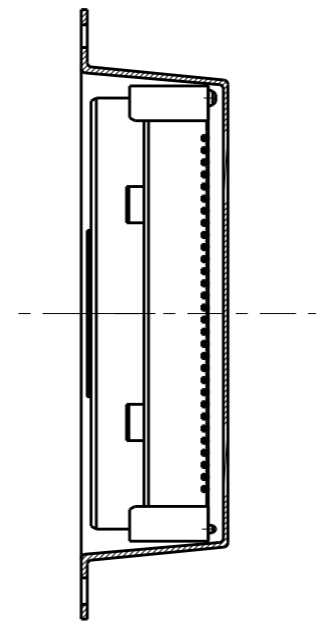
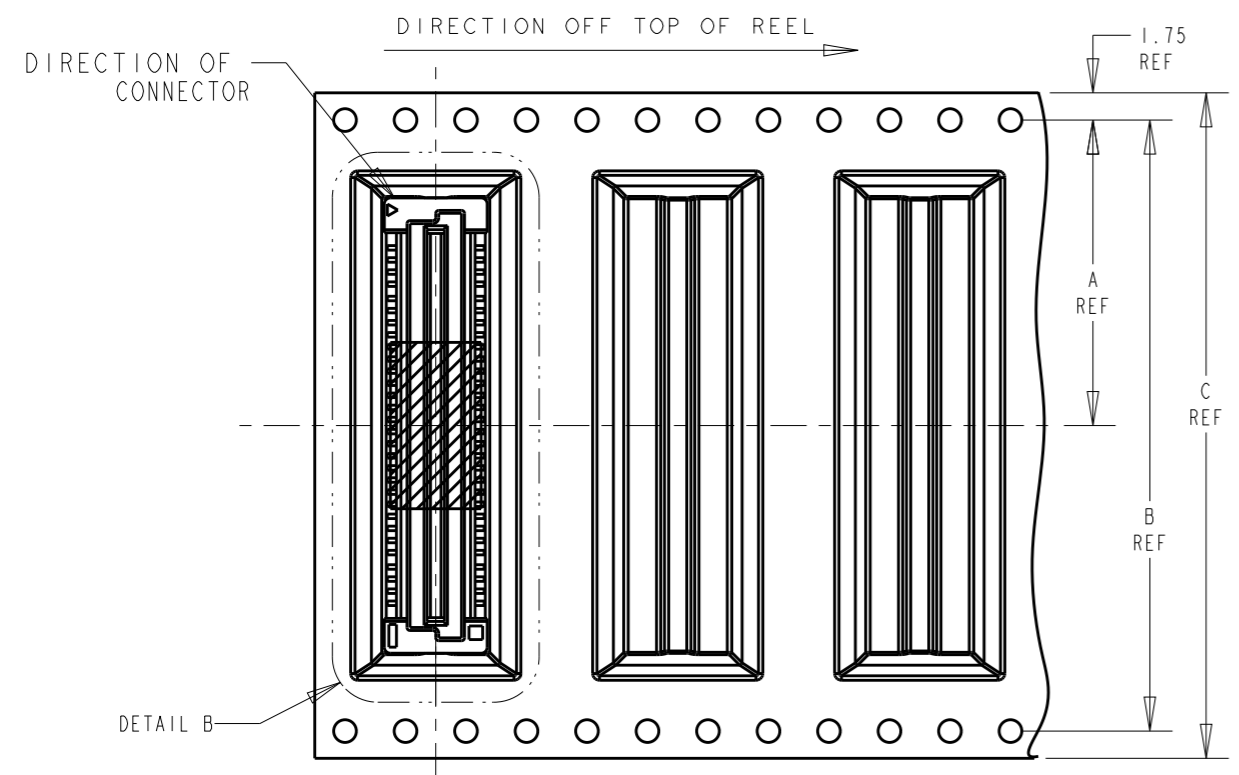
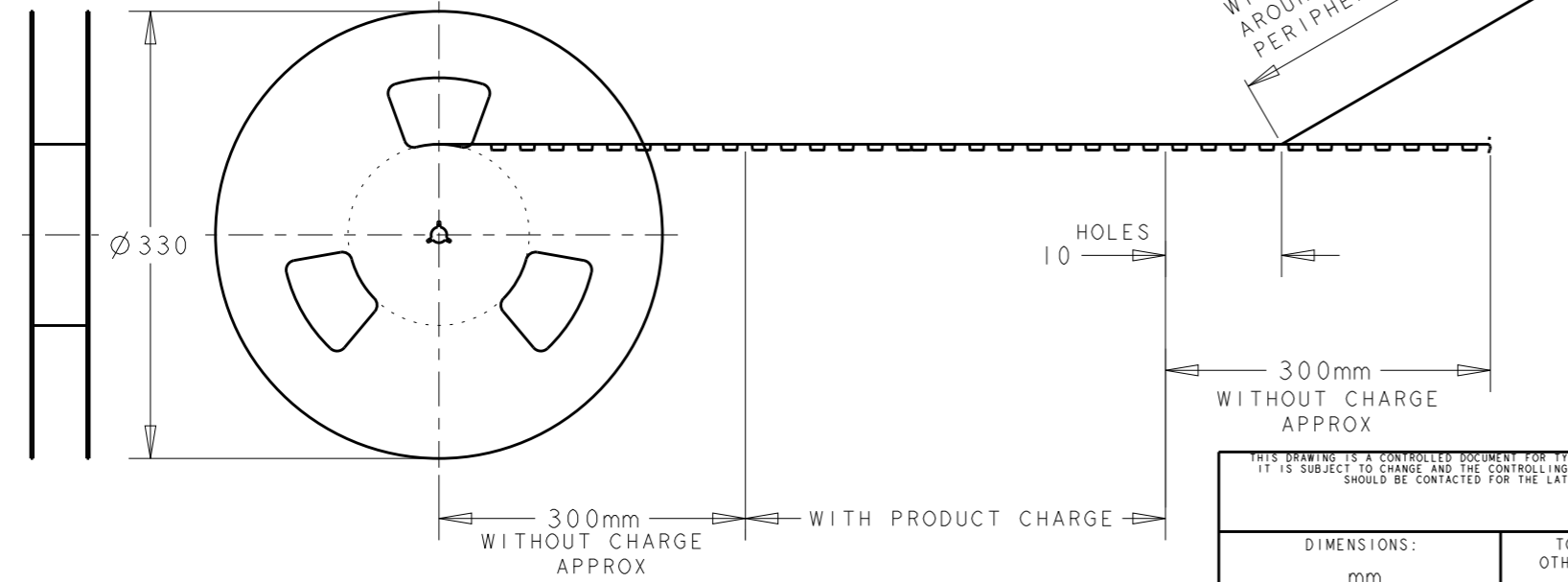


THIS DRAWING IS UNPUBLISHED. RELEASED FOR PUBLICATION
 © COPYRIGHT BY TYCO ELECTRONICS CORPORATION. ALL RIGHTS RESERVED.

LOC	DIST	REVISIONS			
P	LTR	DESCRIPTION	DATE	DWN	APVD
DY	-	AI	REVISED PER ECO-17-018857	14DEC2017	R.L H.L



NOTES:
 1 MATERIAL:
 HOUSING: HIGH TEMP THERMOPLASTICS UL94-V0
 CONTACTS: COPPER ALLOY
 2 FINISH:
 UNDERPLATE: 1.3um MIN NICKEL
 MATING AREA: 0.2um MIN AU
 SOLDERTAIL: 2.0um MIN TIN-LEAD



NOT AVAILABLE	400	9H	16	53.8	72	68.4	34.2	120	1735435-5
AVAILABLE	400	9H	16	45.8	72	68.4	34.2	100	1735435-4
NOT AVAILABLE	500	9H	12	29.8	44	40.4	20.2	60	1735435-2
AVAILABLE	500	9H	12	21.8	32	28.4	14.2	40	1735435-1
REMARKS	QTY	HEIGHT TYPE	E	D	C	B	A	POS	PART NO.

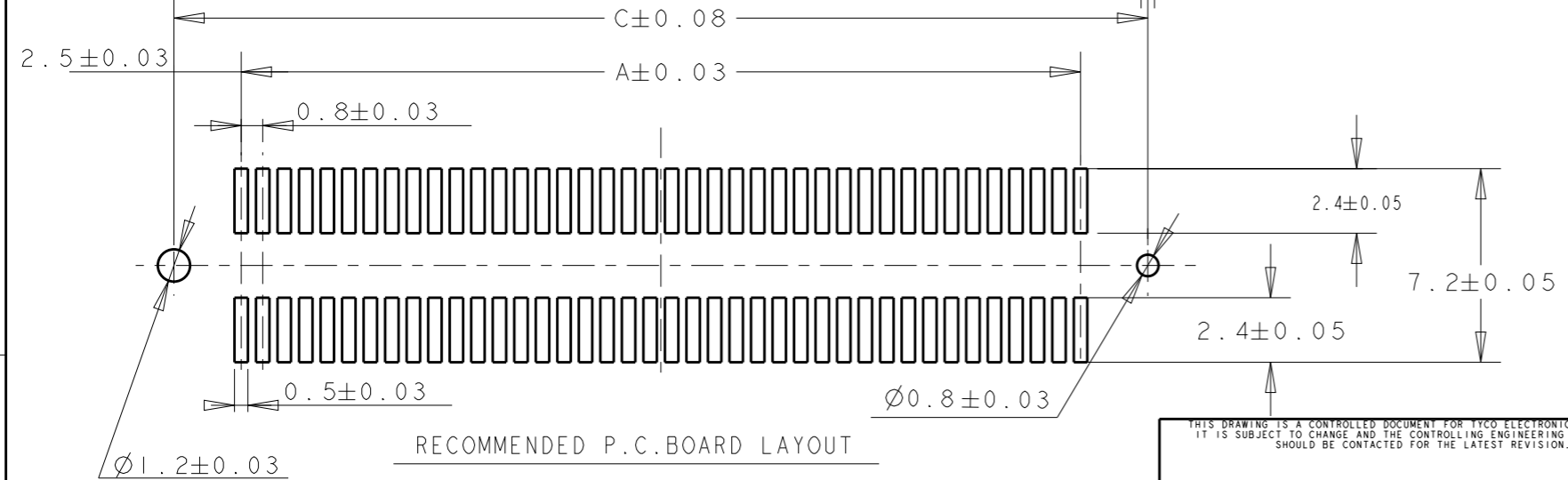
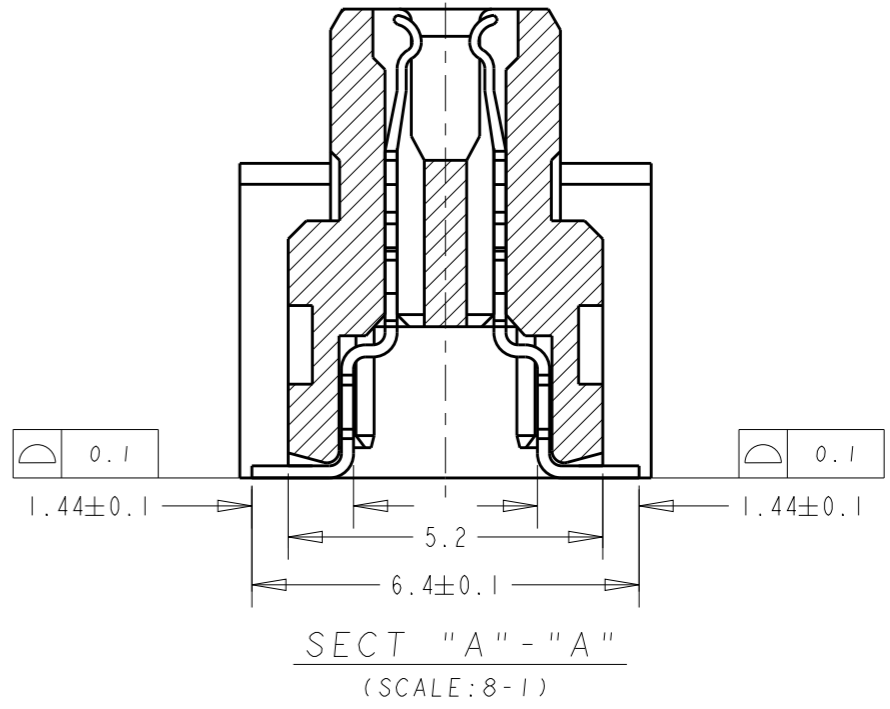
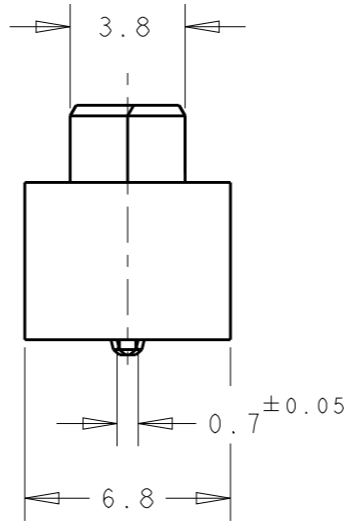
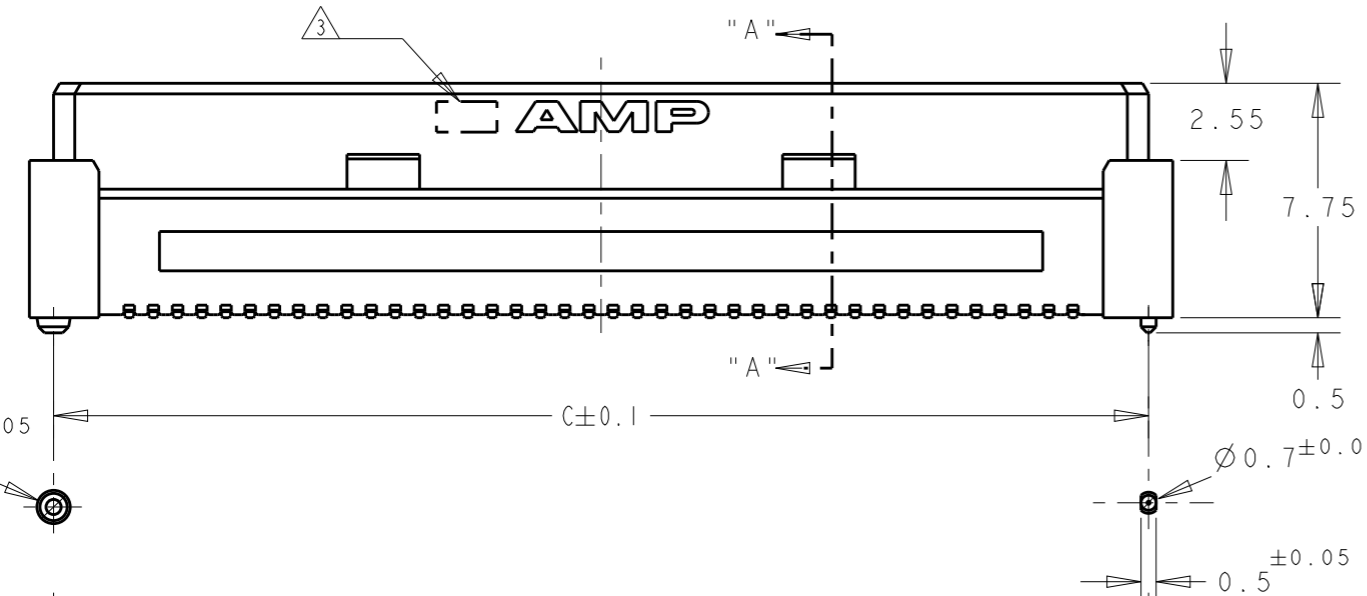
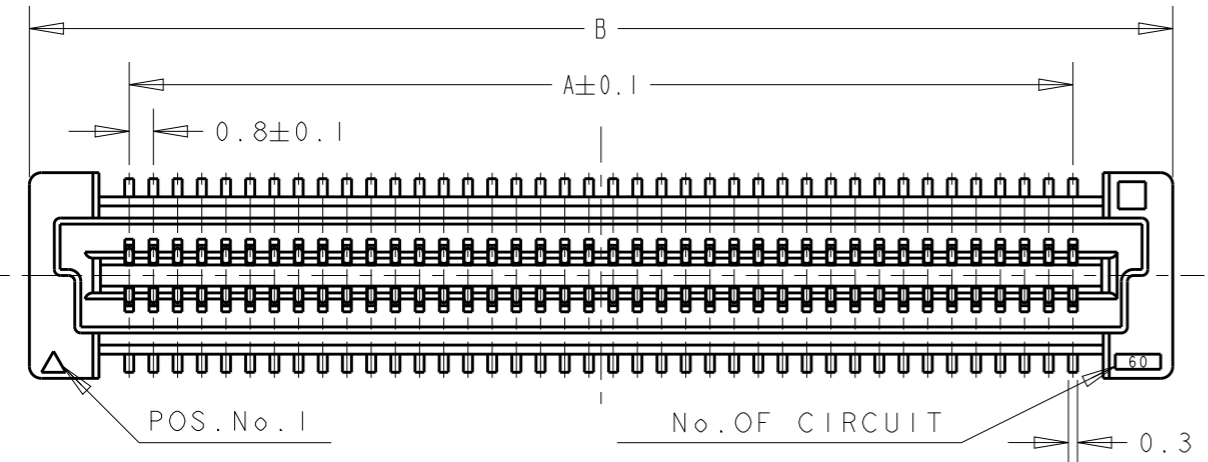
THIS DRAWING IS A CONTROLLED DOCUMENT FOR TYCO ELECTRONICS CORPORATION. IT IS SUBJECT TO CHANGE AND THE CONTROLLING ENGINEERING ORGANIZATION SHOULD BE CONTACTED FOR THE LATEST REVISION.		DWN	18MAY2007	Tyco Electronics Singapore Pte. Ltd.	
DIMENSIONS: mm		CHK	WYLEE	NAME	
TOLERANCES UNLESS OTHERWISE SPECIFIED:		APVD	YJ SEE	RECEPTACLE ASSY FOR 0.8 FH BTB CONN. 9mm HEIGHT (0.5mm BOSS LENGTH), ON EMBOSS TAPING WITH POLYIMIDE FILM, LF	
0 PLC ± -	1 PLC ± 0.3	PRODUCT SPEC	SF LEONG	SIZE	A3
2 PLC ± 0.25	3 PLC ± 0.2	APPLICATION SPEC	108-5390	CAGE CODE	00779
4 PLC ± -	ANGLES ± 3°	WEIGHT	114-5254	DRAWING NO	1735435
MATERIAL	FINISH	CUSTOMER DRAWING		RESTRICTED TO	
1	2	SCALE 2:1		SHEET 1 OF 2	REV AI

AI ADD CONNECTOR INFORMATION SHEET

THIS DRAWING IS UNPUBLISHED. RELEASED FOR PUBLICATION
 © COPYRIGHT BY TYCO ELECTRONICS CORPORATION. ALL RIGHTS RESERVED.

LOC DY	DIST -	REVISIONS			
P	LTR	DESCRIPTION	DATE	DWN	APVD
		SEE SHEET 1			

LOW HALOGEN



52.20	53.80	47.20	120	-5
44.20	45.80	39.20	100	-4
28.20	29.80	23.20	60	-2
20.20	21.80	15.20	40	1735435-1
C	B	A	POS.	PART No.

- NOTES:
- 1 MATERIAL: HOUSING: L.C.P. (HIGH TEMP. THERMOPLASTIC)
UL 94V-0, NATURAL.
CONTACT: BERYLIUM COPPER.
 - 2 FINISH: CONTACT AREA: 0.0002 MIN GOLD ON
0.0013 MIN ALL OVER NICKEL.
SOLDERING AREA: 0.002 MIN MATTE-TIN
 - 3 MANUFACTURE PLANT LOCATION MARK. QINGDAO:

THIS DRAWING IS A CONTROLLED DOCUMENT FOR TYCO ELECTRONICS CORPORATION
IT IS SUBJECT TO CHANGE AND THE CONTROLLING ENGINEERING ORGANIZATION
SHOULD BE CONTACTED FOR THE LATEST REVISION.

DIMENSIONS: mm	TOLERANCES UNLESS OTHERWISE SPECIFIED:
	0 PLC ± -
	1 PLC ± 0.3
	2 PLC ± 0.25
	3 PLC ± 0.2
	4 PLC ± -
	ANGLES ± 3°
MATERIAL	FINISH

DWN WYLEE	18MAY2007
CHK YJ SEE	
APVD SF LEONG	
PRODUCT SPEC 108-5390	
APPLICATION SPEC 114-5254	
WEIGHT -	
CUSTOMER DRAWING	

Tyco Electronics Tyco Electronics Singapore Pte. Ltd.

NAME
RECEPTACLE ASSY FOR 0.8 FH BTB CONN.
9mm HEIGHT (0.5mm BOSS LENGTH), ON
EMBOSS TAPING WITH POLYIMIDE FILM, LF

SIZE A3	CAGE CODE 00779	DRAWING NO G-1735435	RESTRICTED TO
------------	--------------------	-------------------------	---------------

SCALE 2:1 SHEET 2 OF 2 REV A1

单击下面可查看定价，库存，交付和生命周期等信息

[>>TE Connectivity\(泰科\)](#)