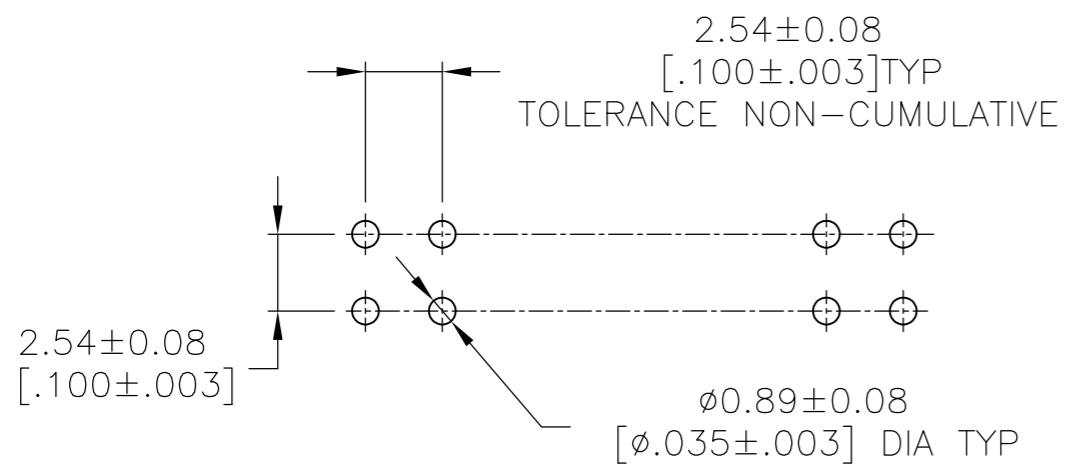
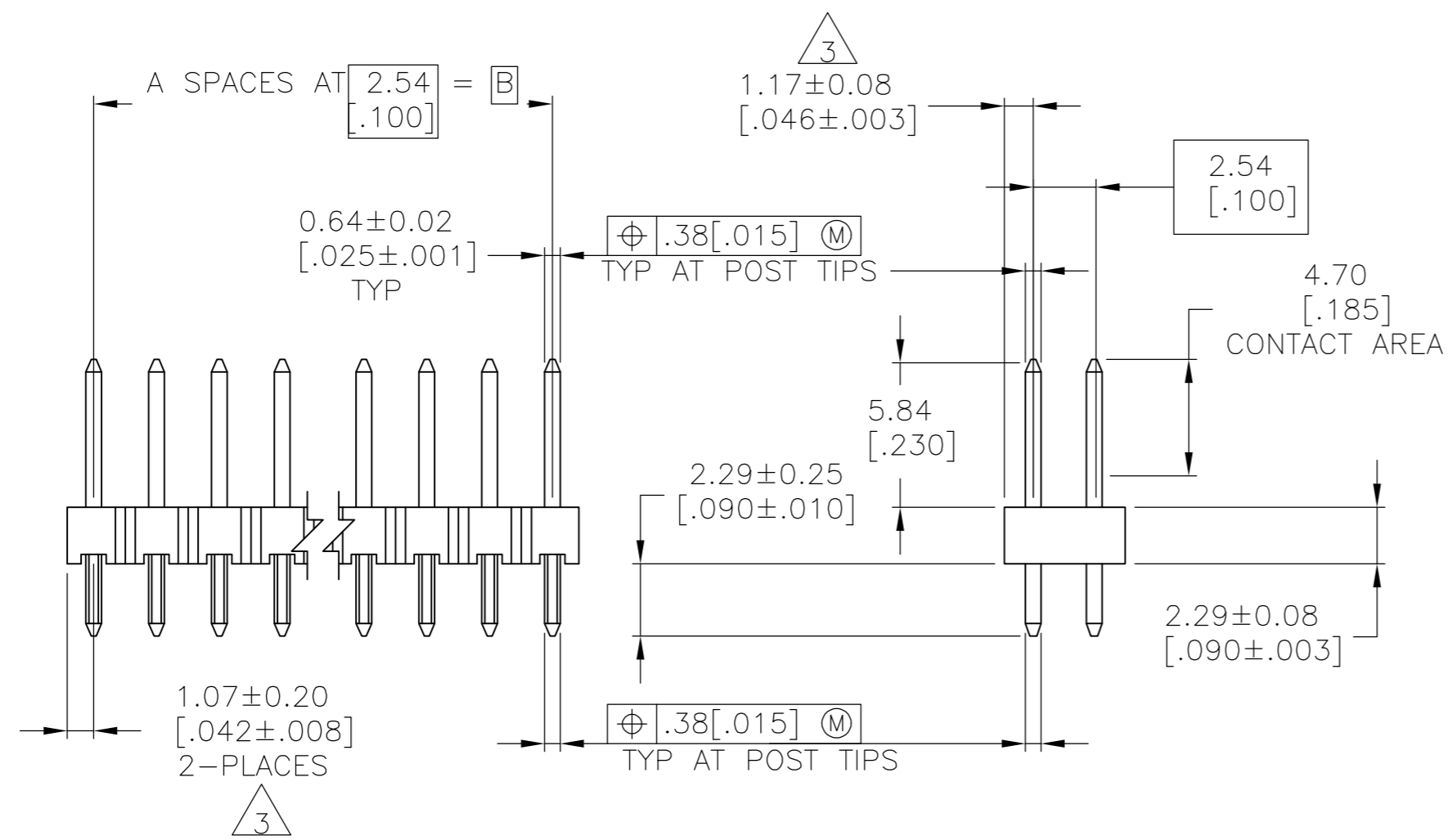
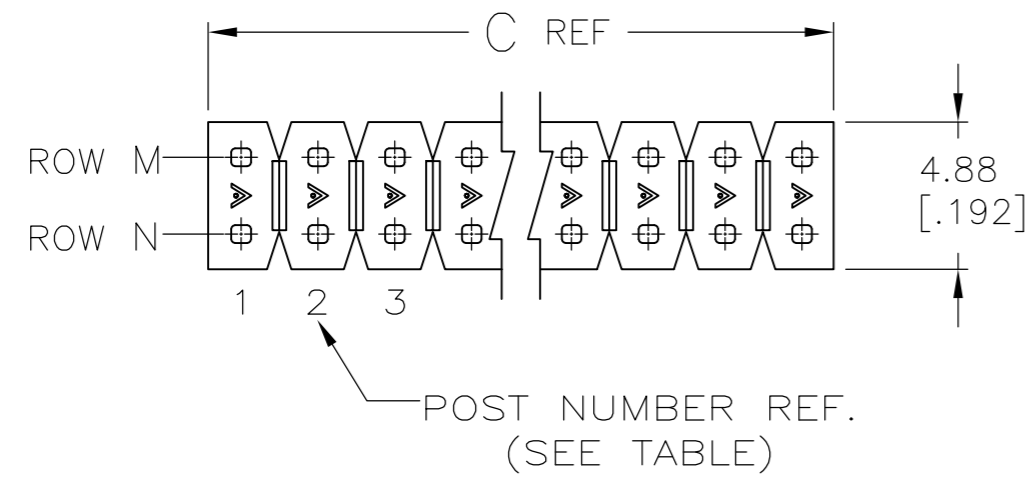


THIS DRAWING IS UNPUBLISHED. RELEASED FOR PUBLICATION
 © COPYRIGHT - By - ALL RIGHTS RESERVED.

LOC		DIST		REVISIONS				
P	LTR	DESCRIPTION			DATE	DWN	APVD	
AD	00	H		REVISED PER ECO-14-000066	30JUN2014	NK	MM	



RECOMMENDED HOLE LAYOUT

- 1 ASSEMBLY MAY BE BROKEN TO THE DESIRED NUMBER OF POSITIONS
- 2 TRUE POSITION TOLERANCE OF THE POSTS TIPS APPLIES WHEN THE HEADER IS HELD FLAT AGAINST THE PRINTED CIRCUIT BOARD.
- 3 THE NOTED DIMENSION APPLIES AT THE INTERSECTION OF THE POST AND HOUSING.
- 4 FINISH: 0.000127 [.000005] GOLD ON CONTACT AREA, 0.00254-0.00508 [.000100-.000200] MATTE TIN-LEAD ON SOLDER TAIL ALL OVER 0.00127 [.000050] NICKEL.
- 5 FINISH: 0.000127 [.000005] GOLD ON CONTACT AREA, 0.00254-0.00508 [.000100-.000200] MATTE TIN ON SOLDER TAIL ALL OVER 0.00127 [.000050] NICKEL.
- 6 HIGH TEMPERATURE CONFIGURATION.

6	5	NONE	10	50.39 [1.984]	48.26 [1.900]	19	39	40	5-146222-1
	4	NONE	10	50.39 [1.984]	48.26 [1.900]	19	39	40	146222-1
REMARKS	PLATING	ROW N	ROW M	C	B	A	NO.OF ACTIVE POSN.	NO. OF POSN.	ASSEMBLY PART NUMBER
		POST OMITTED							

THIS DRAWING IS A CONTROLLED DOCUMENT.		DWN T. HOFFMAN 6-3-95		
DIMENSIONS: mm [INCHES]		CHK G.DUBNICZKI 15-3-95		
TOLERANCES UNLESS OTHERWISE SPECIFIED:		APVD G.DUBNICZKI 15-3-95	NAME	
0 PLC ± -		PRODUCT SPEC	TE Connectivity	
1 PLC ± -		APPLICATION SPEC	HEADER ASSEMBLY, MOD II, BREAKAWAY, DOUBLE ROW, .100 X.100, VERTICAL, .025 SQ.POST, SELECT LOAD	
2 PLC ± 0.13[.005]			SIZE	CAGE CODE
3 PLC ± -			A2	00779
4 PLC ± -			DRAWING NO	RESTRICTED TO
ANGLES ± 0° 30'			C=146222	
MATERIAL HOUSING: FLAME RETARDANT THERMOPLASTIC. COLOR: BLACK. POSTS: COPPER ALLOY		FINISH SEE TABLE	WEIGHT -	SCALE 4:1
			RESTRICTED CUSTOMER	SHEET 1 OF 1
				REV H

单击下面可查看定价，库存，交付和生命周期等信息

[>>TE Connectivity\(泰科\)](#)