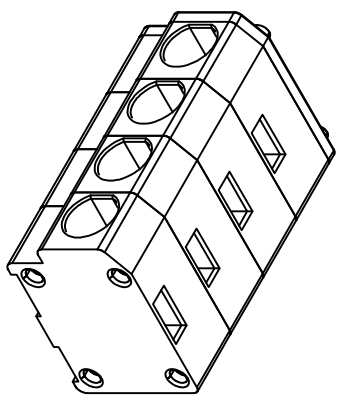
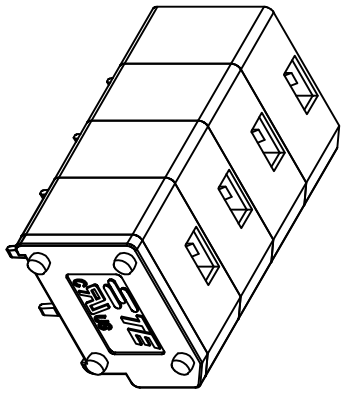
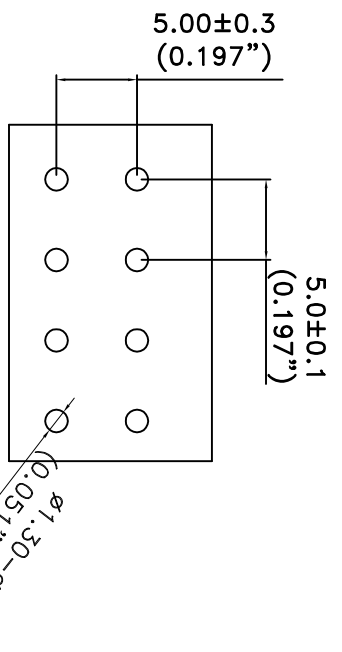
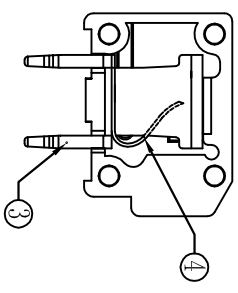
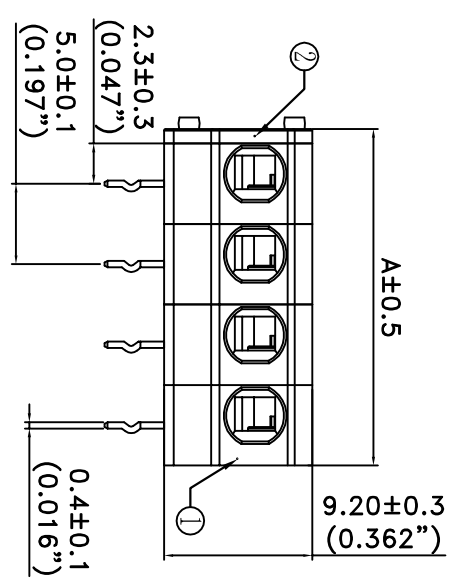
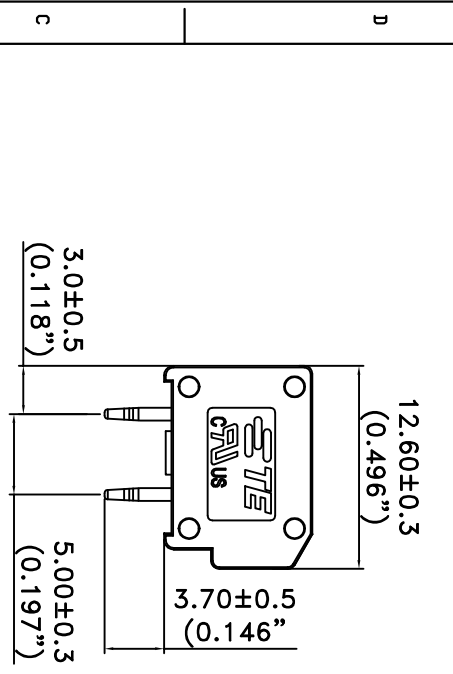


REV. NO.	DATE	BY	APP'D
P			
A			

REV. NO.	DESCRIPTION	DATE	BY	APP'D
P				
A				



NO. OF POSN	TE CONNECTIVITY	PART NO
40.90	8 POSN	2834089-7
35.90	7 POSN	2834089-6
30.90	6 POSN	2834089-5
25.90	5 POSN	2834089-4
20.90	4 POSN	2834089-3
15.90	3 POSN	2834089-2
10.90	2 POSN	2834089-1
A	NO. OF POSITIONS	PART NO

**PCB Layout**

**NOTES :**

- 1. MATERIALS AND FINISH:
  - HOUSING: PA66
  - CONTACTS: COPPER, FINISH: TIN OVER COPPER UNDERPLATE
- 2. MUST COMPLY WITH DIRECTIVE 2002/95/EC (ROHS)
- 3. WIRE TYPES AND SIZES ACCEPTED
- 4. WIRE RANGE: 14AWG~20AWG.
- 5. STRIP LENGTH: 9.0mm~10.0mm
- 6. PACKAGED IN TRAY.
- 7. CURRENT RATING: 10Amp AC300V.
- 8. OPERATION TEMPERATURE: -40°C TO +105°C
- 9. THIS PART NO. IS THE SAME STRUCTURE AS THE SERIES: 2834089
- 10. THE DATASHEET AND MORE DETAILS PLEASE FOLLOW THE SERIES: 2834089

THIS DRAWING IS A CONTROLLED DOCUMENT.

DESIGNER	CHKD	DATE	REV
REV	DATE	REV	DATE
DATE	DATE	DATE	DATE

50 Horizontal Entry Screwless Connector

TE Connectivity

单击下面可查看定价，库存，交付和生命周期等信息

[>>TE Connectivity\(泰科\)](#)