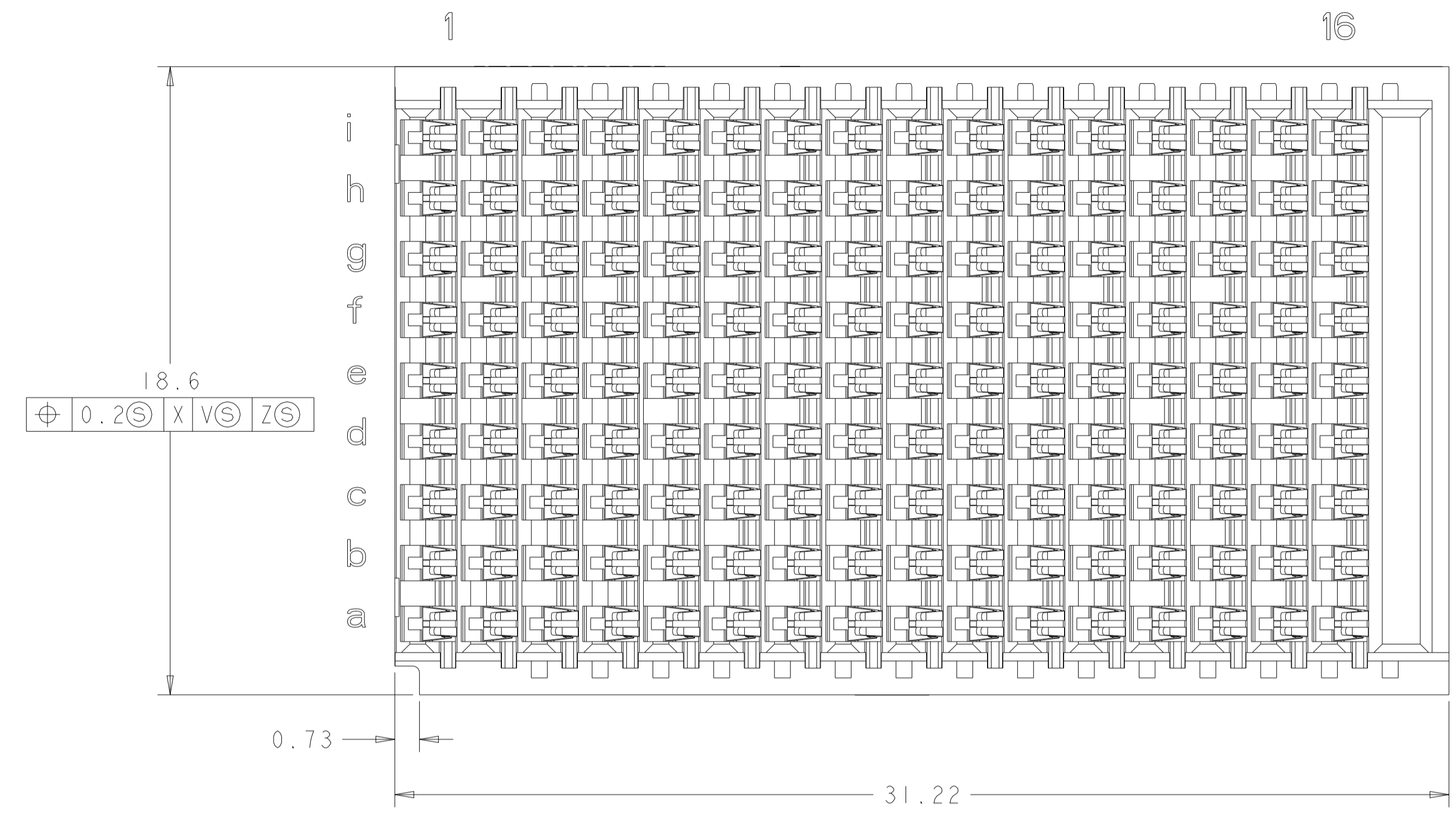
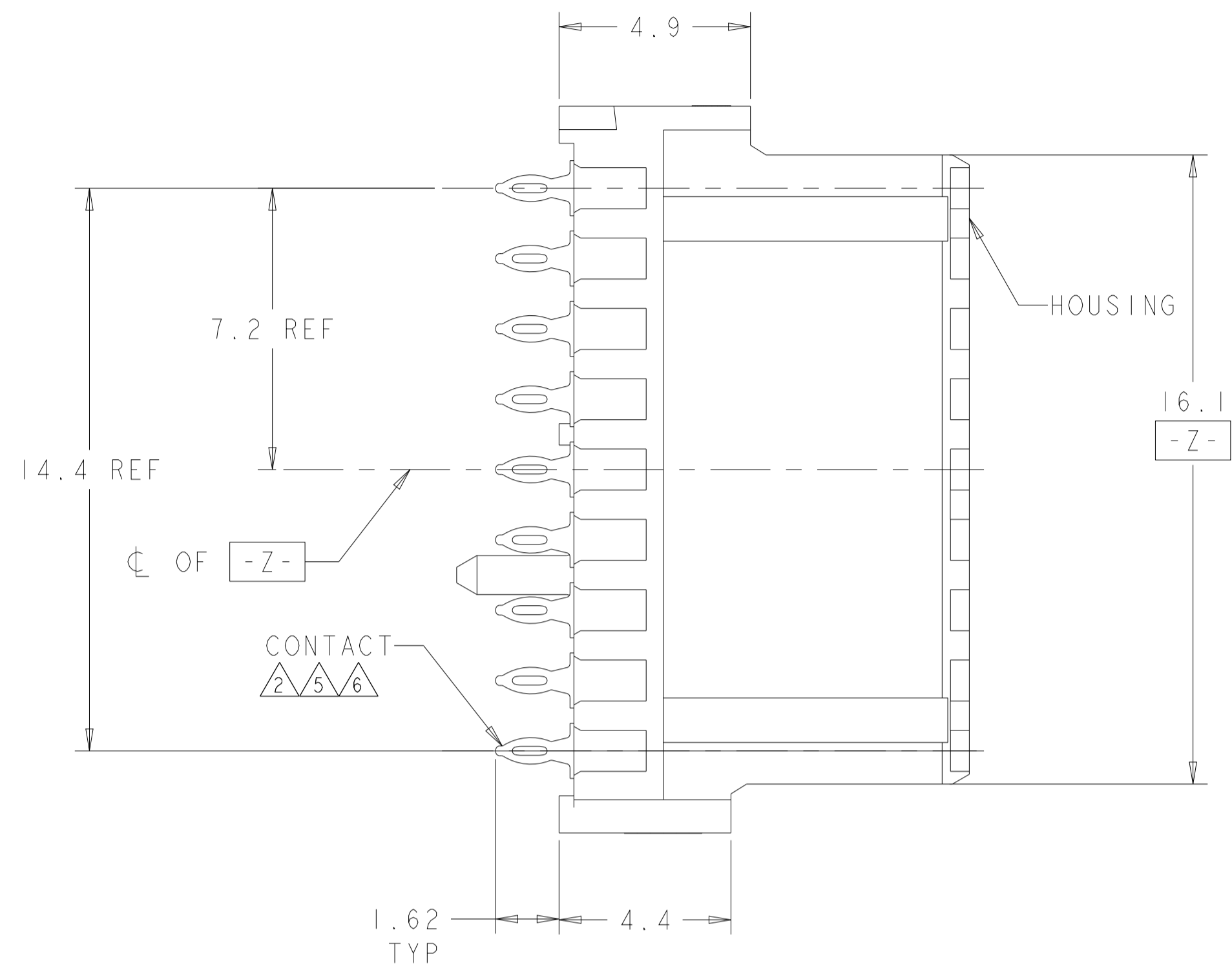
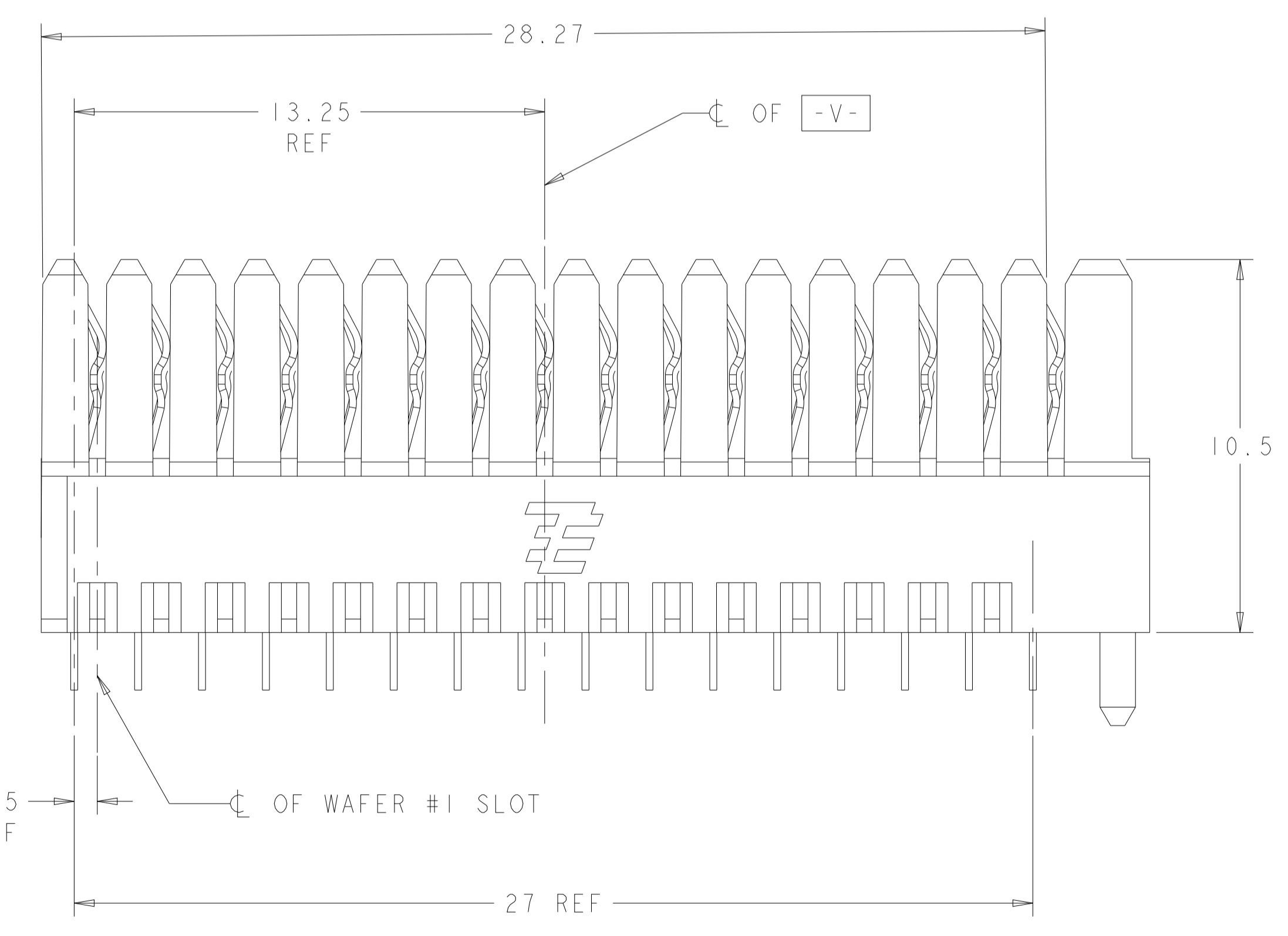
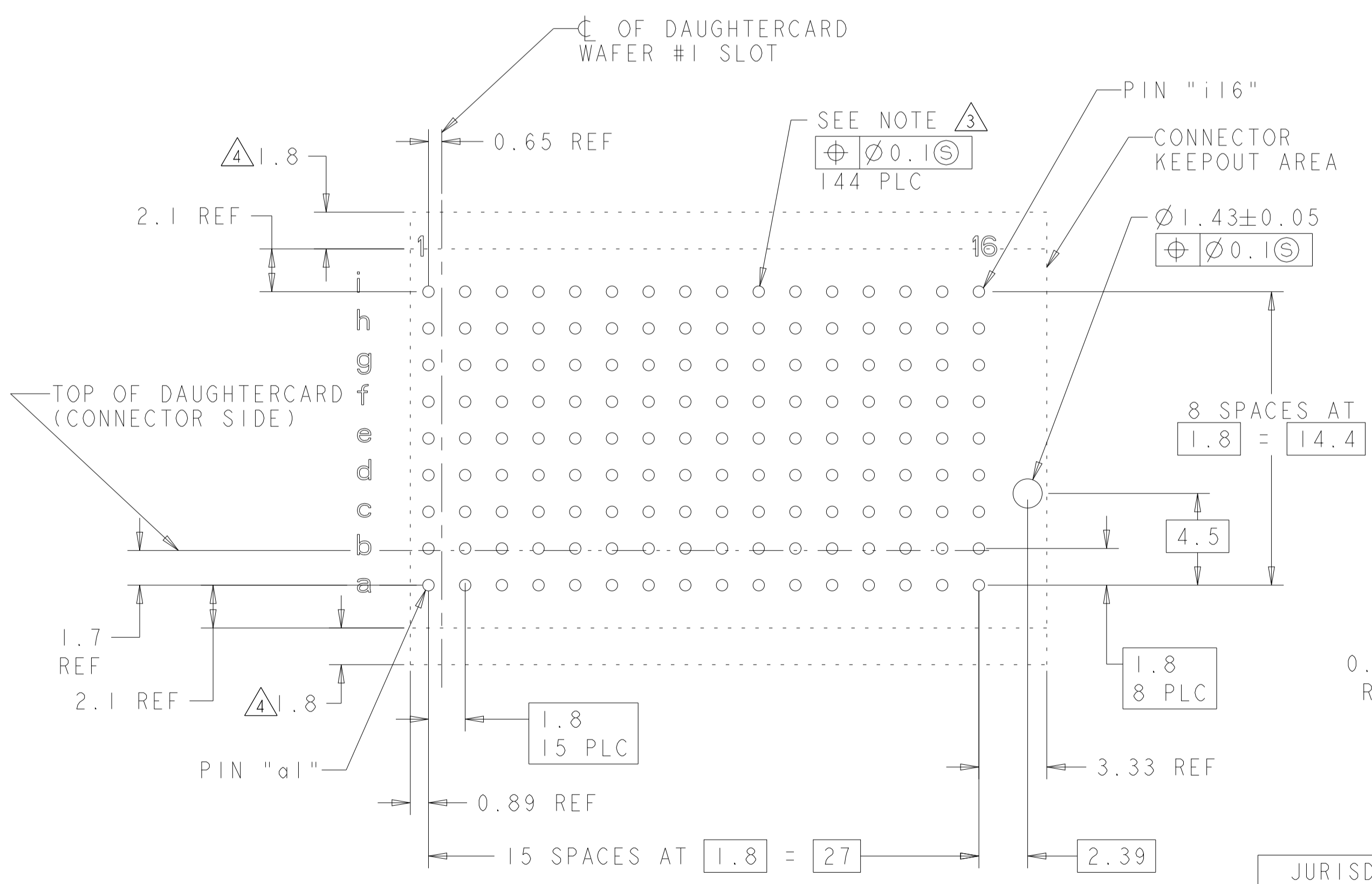


LOC		DIST		REVISIONS			
P	LTN	DESCRIPTION	DATE	DWN	APVD		
D		REV PER ECO 16682	11-13-17	CT	DH		
E		REVISED PER ECN-21-117621	16SEP2021	JAB	DH		



- △ HOUSING: LCP, UL94V0, COLOR: BLACK. CONTACT: PHOSPHOR BRONZE.
- △ FINISH: 1.27µm GOLD IN CONTACT AREA 1.27µm MIN. TIN-LEAD (93/7) ON PCB TAIL OVER 2.54µm MIN. NICKEL OVER ALL.
- △ PLATED THROUGH HOLE PER 114-13056, FIGURE 4
- △ ADDITIONAL CONNECTOR-SIDE KEEPOUT AREA REQUIRED IF CONNECTOR-SIDE EXTRACTION TOOL IS TO BE USED.
- △ FINISH: 1.27µm MIN GOLD IN CONTACT AREA, 0.50µm MIN TIN ON PCB TAIL OVER 2.54µm MIN. NICKEL OVER ALL.
- △ FINISH: 1.27µm GOLD IN CONTACT AREA 1.27µm MIN. TIN-LEAD (60/40) ON PCB TAIL OVER 2.54µm MIN. NICKEL OVER ALL.



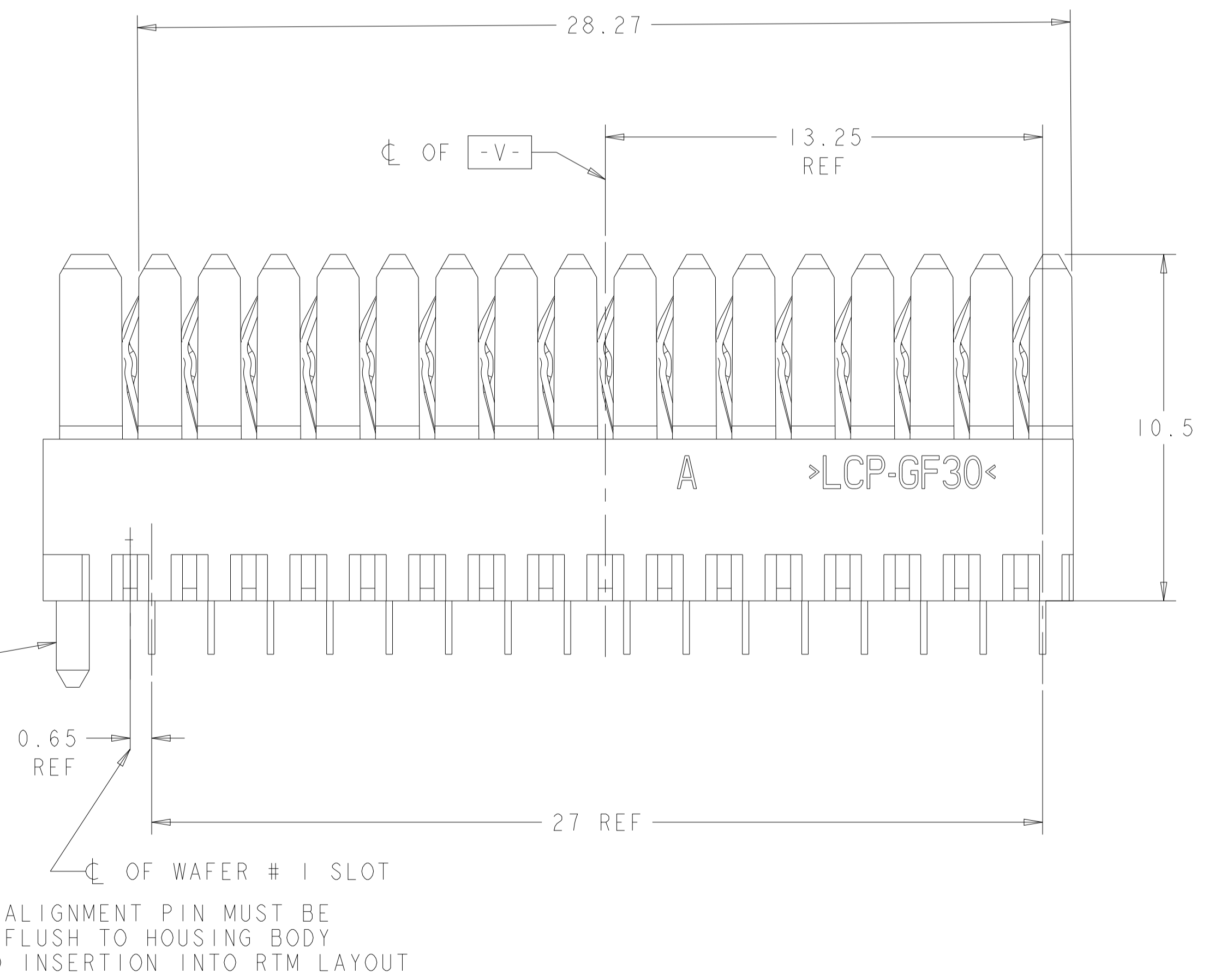
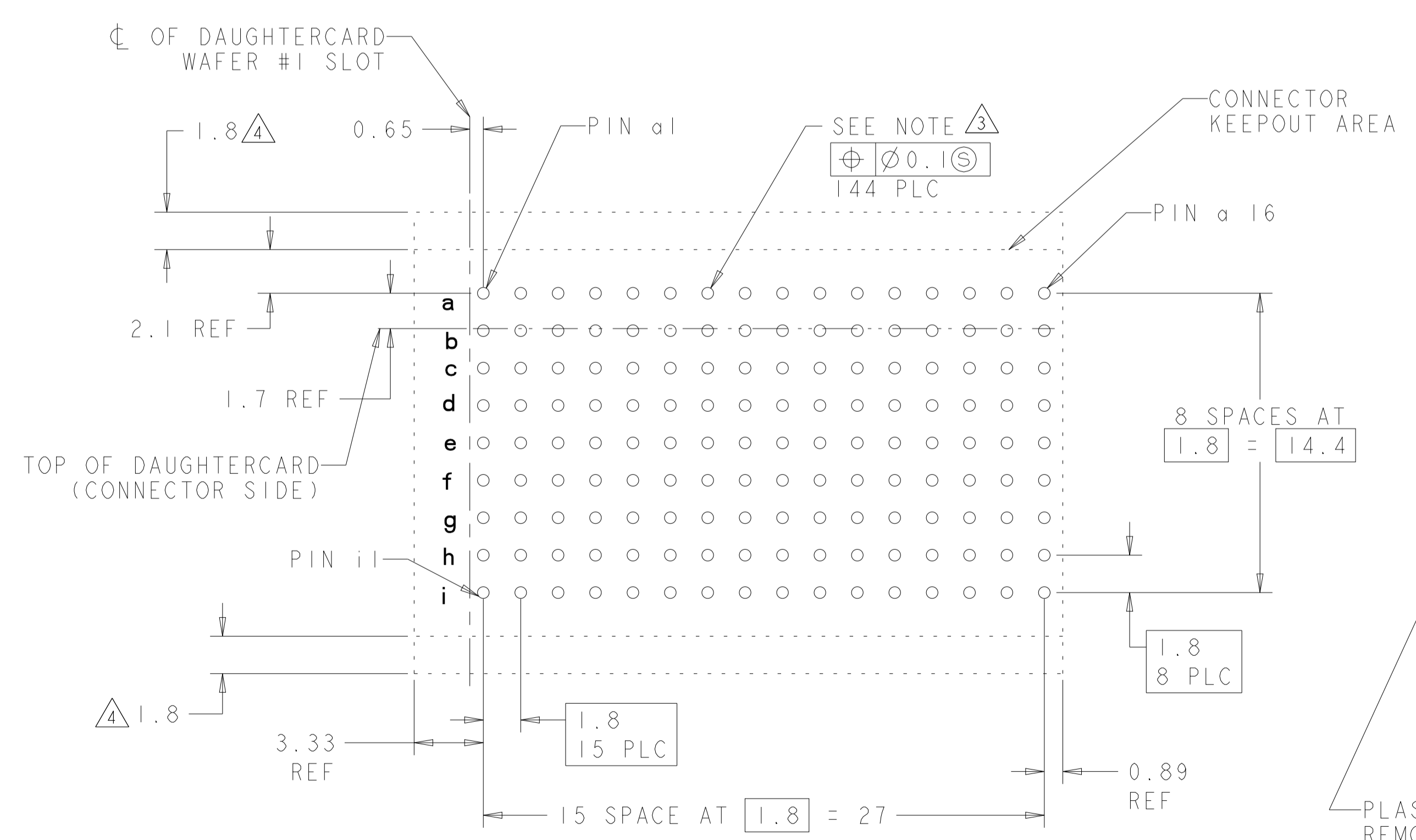
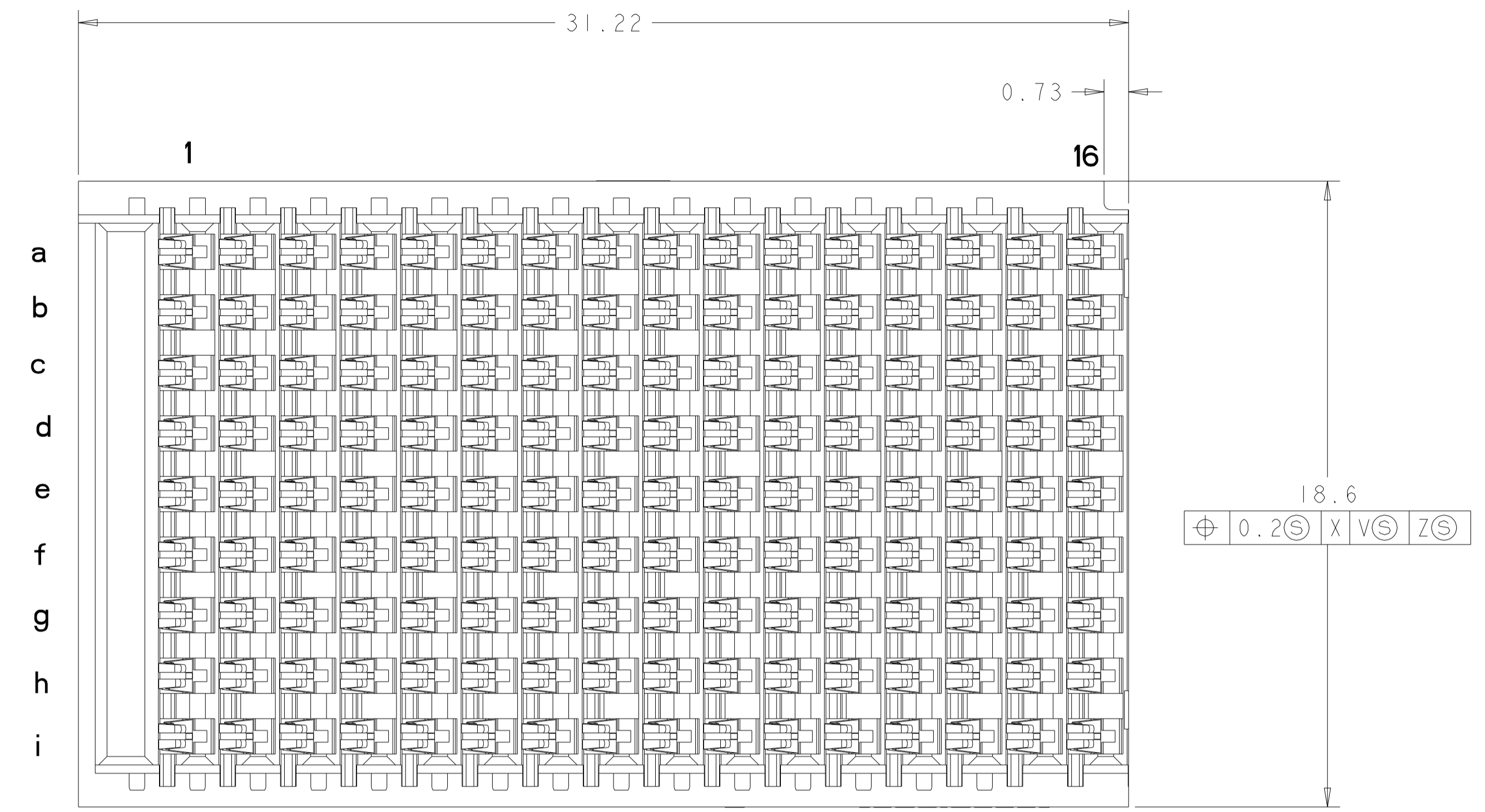
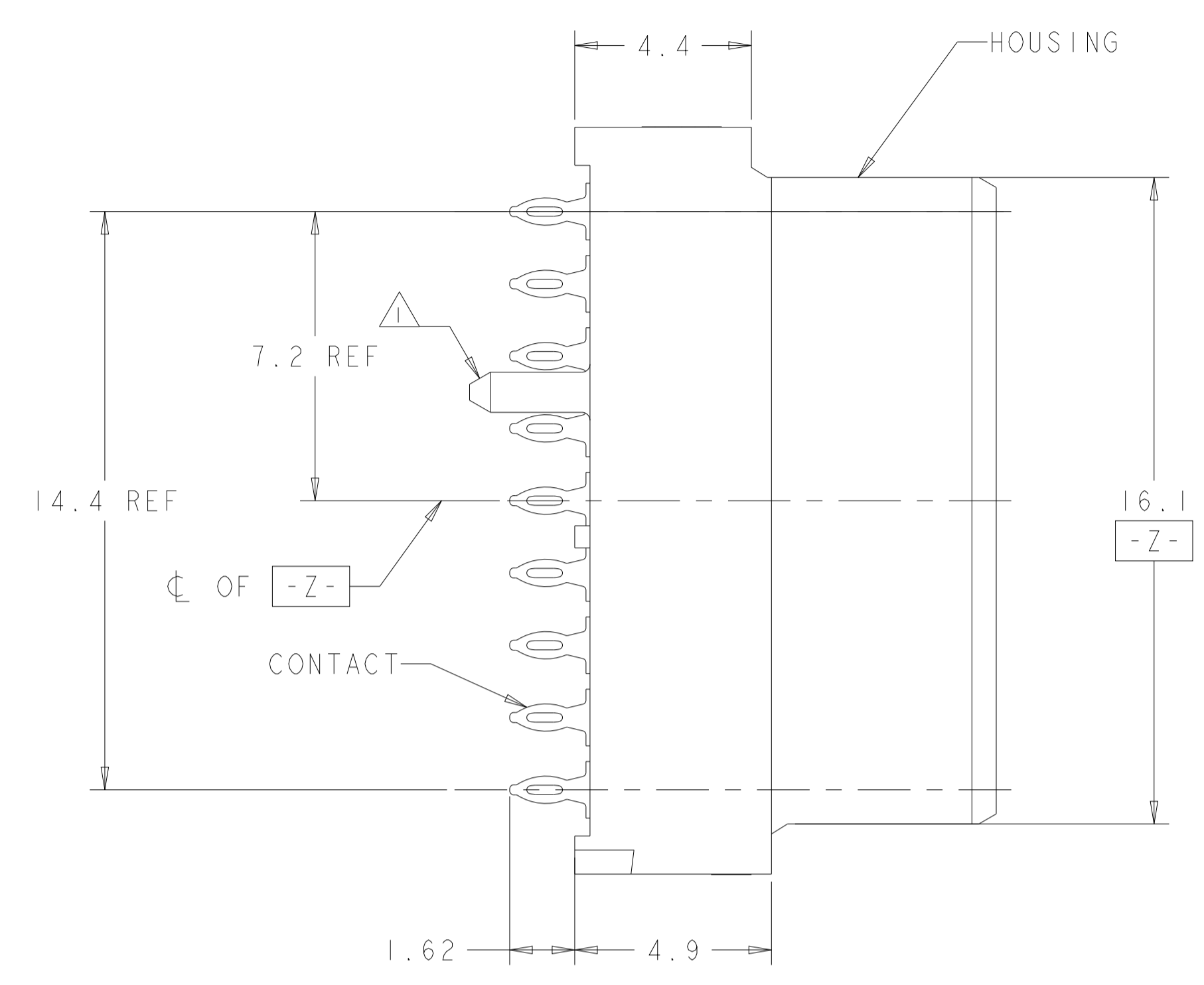
PC BOARD LAYOUT  
 (CONNECTOR SIDE)  
 (SEE SHEET 2 FOR RTM)  
 SCALE 5:1

JURISDICTION	EAR
CLASSIFICATION	EAR99
DATE OF MARKING	16SEP2021
THIS DOCUMENT CONTAINS CONTROLLED TECHNICAL DATA SUBJECT TO THE EXPORT ADMINISTRATION REGULATIONS (EAR). VIOLATIONS OF THESE EXPORT LAWS AND REGULATIONS ARE SUBJECT TO CIVIL AND CRIMINAL PENALTIES.	

THIS DRAWING IS A CONTROLLED DOCUMENT.		DWN K. MILLER 07SEP2011	
DIMENSIONS: mm		CHK K. THACKSTON 12SEP2011	
TOLERANCES UNLESS OTHERWISE SPECIFIED:		APVD M. McALONIS 10SEP2012	NAME
0 PLC ±0.5		PRODUCT SPEC	CONNECTOR ASSEMBLY, BACKPLANE VERTICAL RECEPTACLE, RIGHT END, 20.3mm, MULTIGIG RT 2-R
1 PLC ±0.13		APPLICATION SPEC	
2 PLC ±0.1		114-13056	SIZE
3 PLC ±0.1		114-13056	CAGE CODE
4 PLC ±0.1		114-13056	DRAWING NO
ANGLES FINISH ±1°		WEIGHT	RESTRICTED TO
SEE TABLE		6.97g	A100779C=2102737
		Customer Drawing	SCALE 8:1 SHEET 1 OF 2 REV E

LOC		DIST		REVISIONS			
P	LTN	DESCRIPTION	DATE	DWN	APVD		
-	-	SEE SHEET 1	-	-	-		

# REAR TRANSITION MODULE APPLICATION



PLASTIC ALIGNMENT PIN MUST BE REMOVED FLUSH TO HOUSING BODY PRIOR TO INSERTION INTO RTM LAYOUT

PC BOARD REAR TRANSITION MODULE (CONNECTOR SIDE)  
 SCALE 5:1

JURISDICTION	EAR
CLASSIFICATION	EAR99
DATE OF MARKING	16SEP2021
THIS DOCUMENT CONTAINS CONTROLLED TECHNICAL DATA SUBJECT TO THE EXPORT ADMINISTRATION REGULATIONS (EAR). VIOLATIONS OF THESE EXPORT LAWS AND REGULATIONS ARE SUBJECT TO CIVIL AND CRIMINAL PENALTIES.	

THIS DRAWING IS A CONTROLLED DOCUMENT.		DWN	K. MILLER	07SEP2011	TE Connectivity NAME CONNECTOR ASSEMBLY, BACKPLANE VERTICAL RECEPTACLE, RIGHT END, 20.3mm, MULTIGIG RT 2-R
DIMENSIONS:		CHK	K. THACKSTON	12SEP2011	
TOLERANCES UNLESS OTHERWISE SPECIFIED:		APVD	M. McALONIS	10SEP2012	
0 PLC ± 1 PLC ±0.5 2 PLC ±0.13 3 PLC ± 4 PLC ± ANGLES ±1°		PRODUCT SPEC	108-2072	APPLICATION SPEC	
MATERIAL	SEE TABLE	CAGE CODE	114-13056	DRAWING NO	RESTRICTED TO
WEIGHT	6.97g	SIZE	A1	00779	DRAWING NO
Customer Drawing		SCALE	8:1	SHEET	2 OF 2
		REV	E		

单击下面可查看定价，库存，交付和生命周期等信息

[>>TE Connectivity\(泰科\)](#)