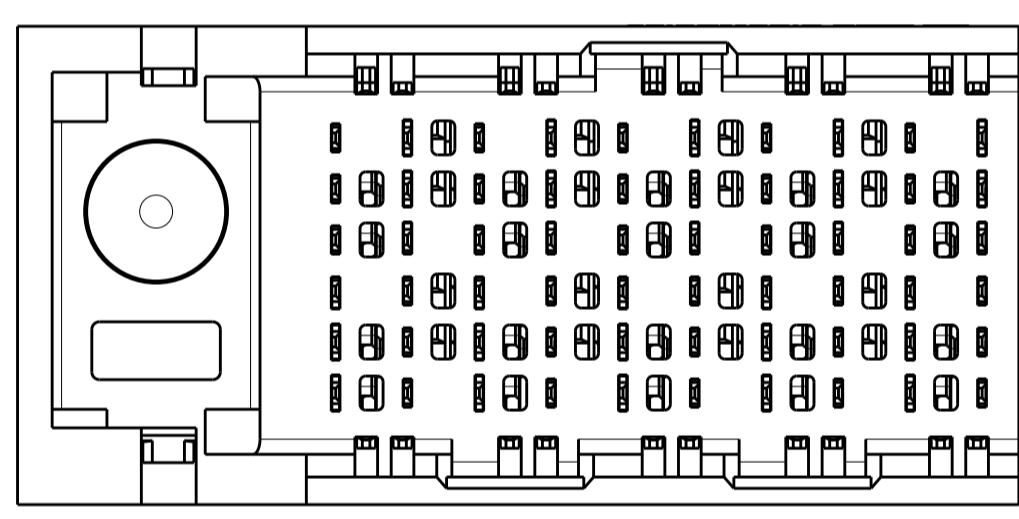
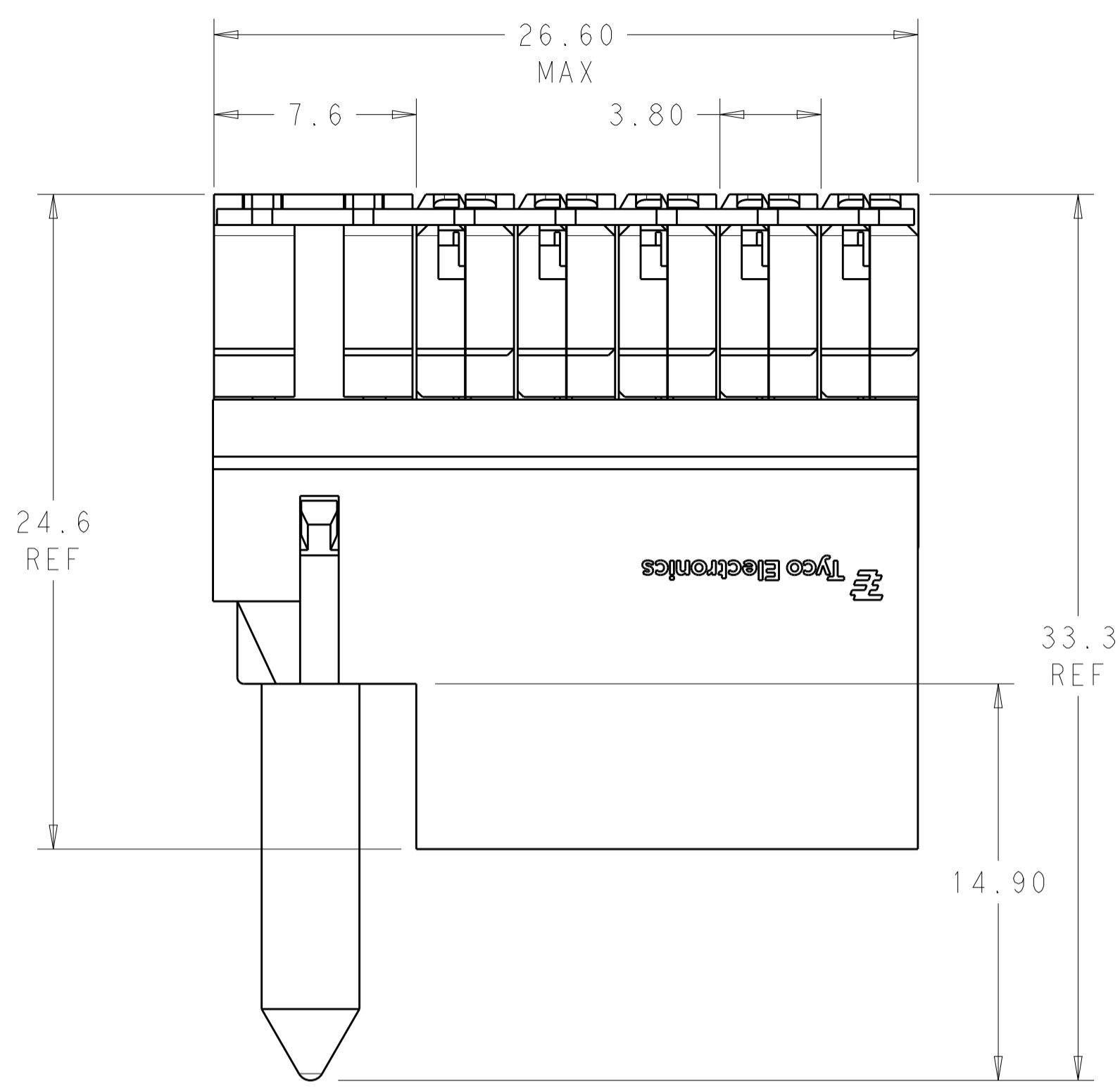
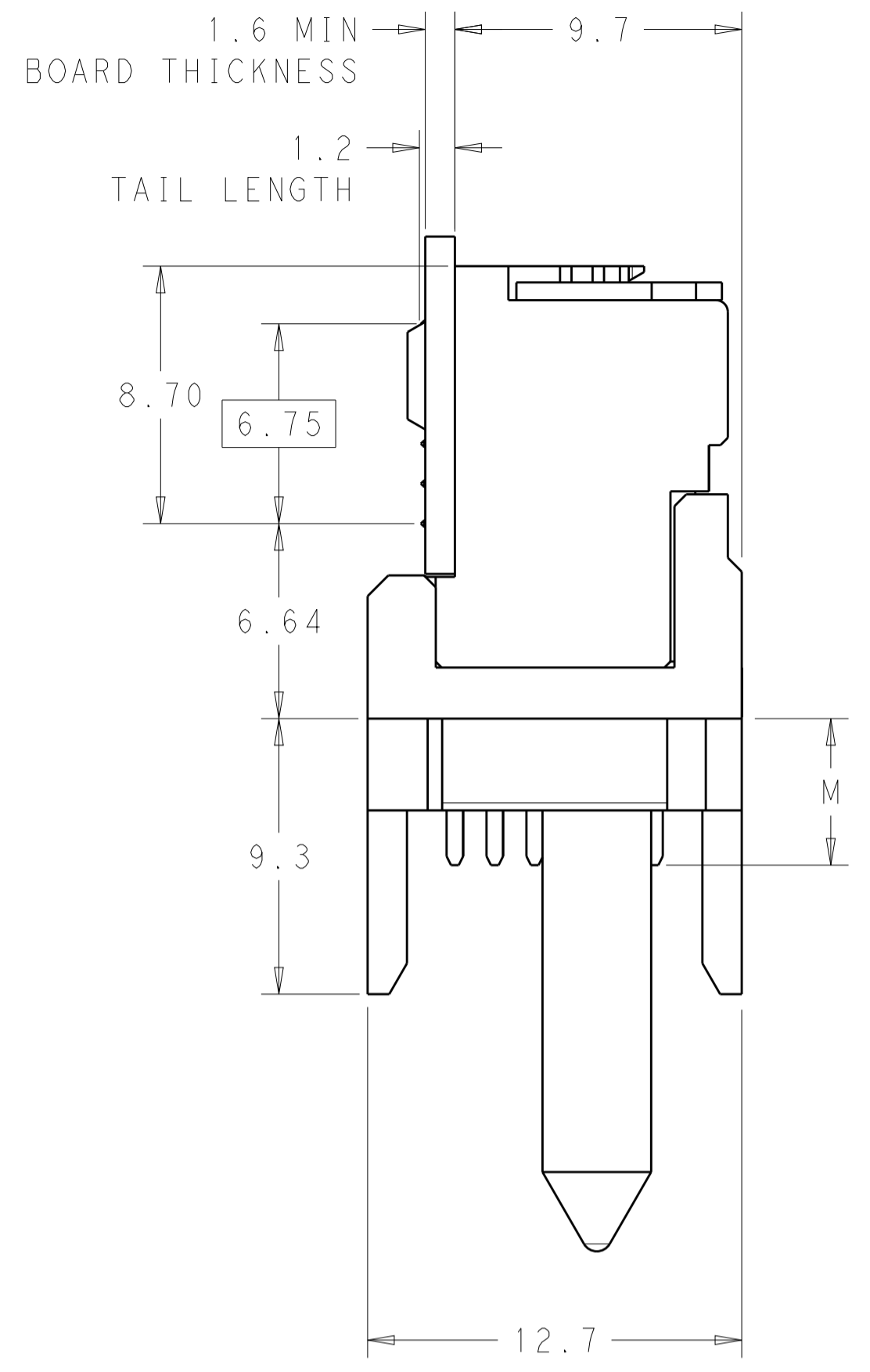
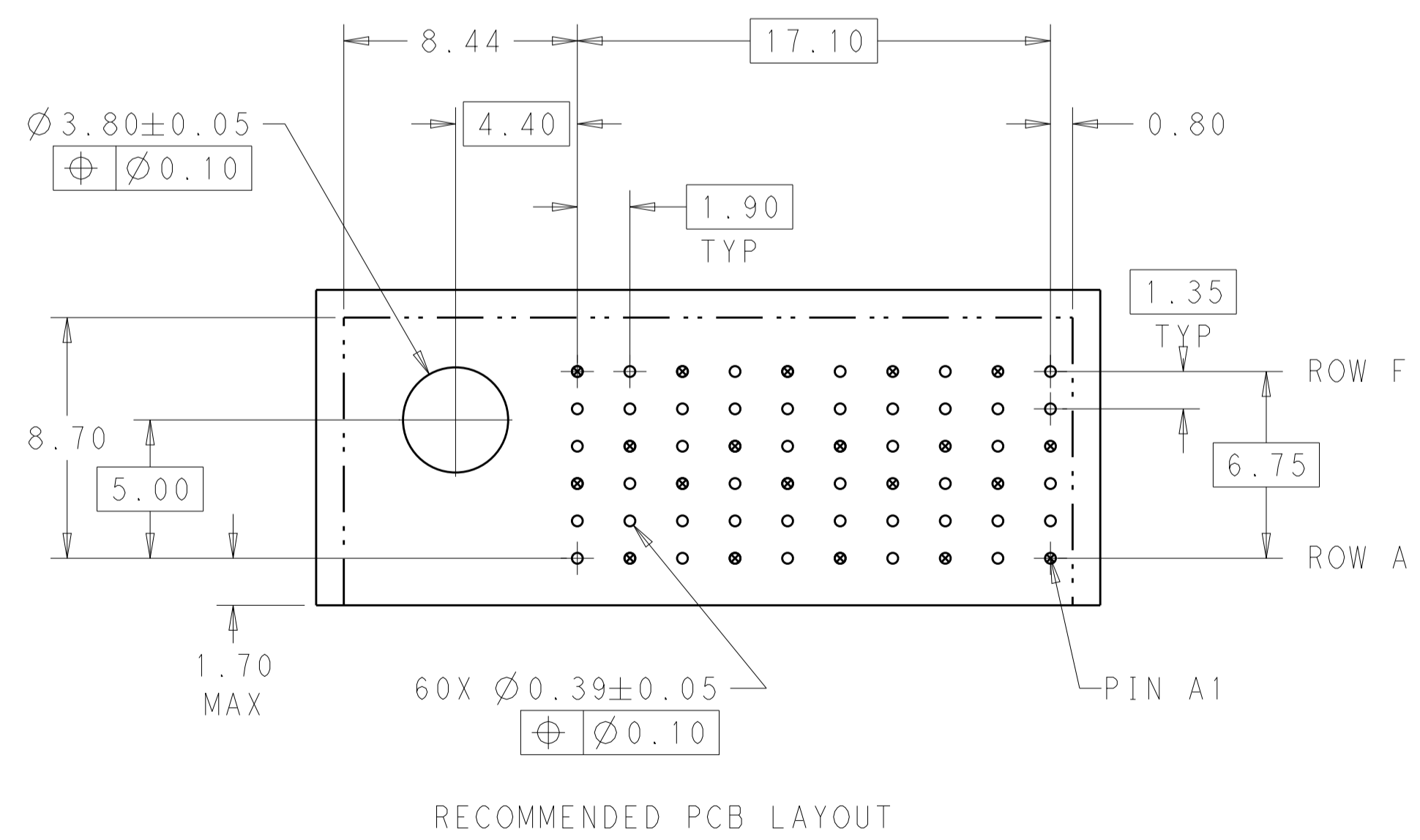
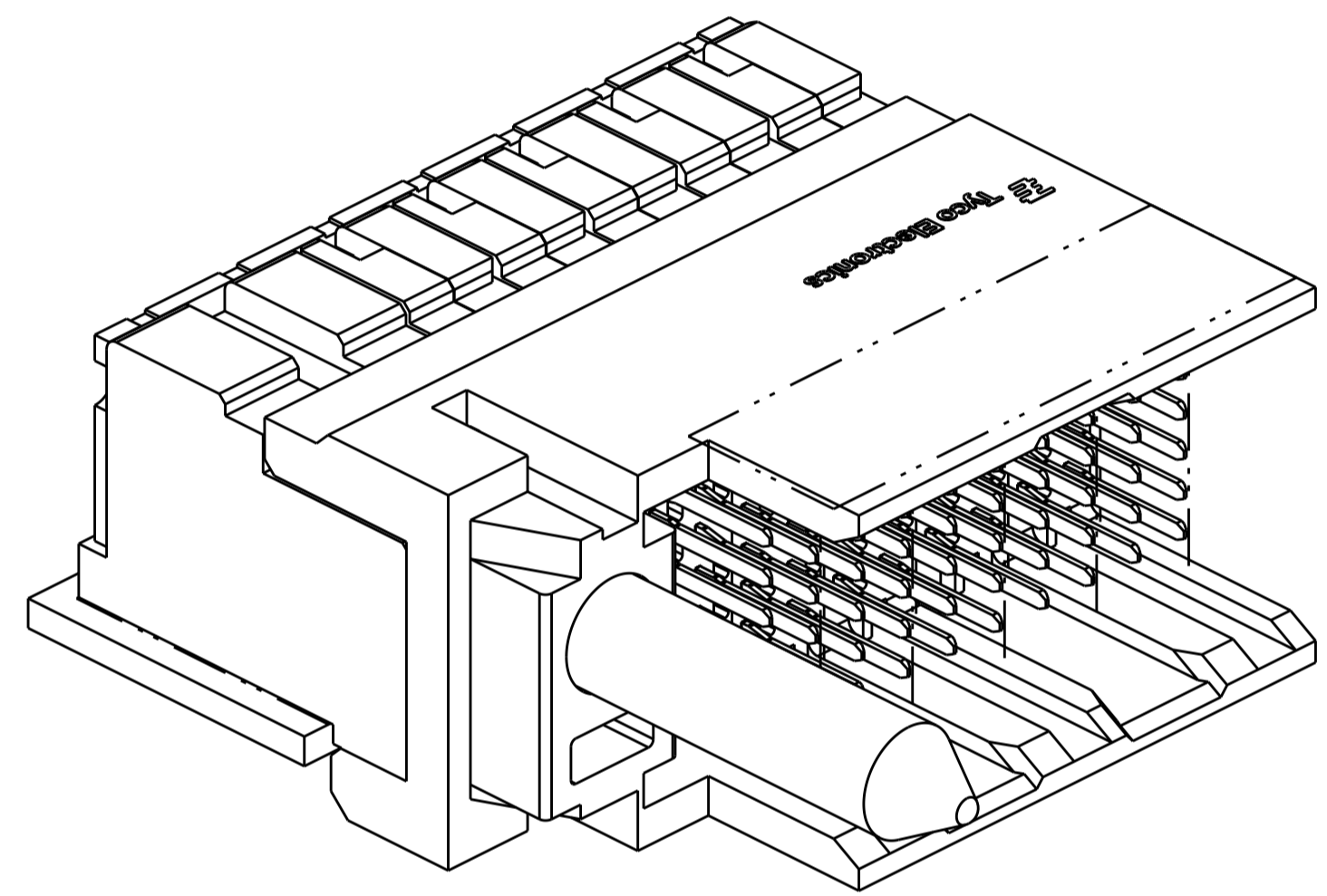


REVISIONS				
P.	LTM	DESCRIPTION	DATE	APVD
B1		REVISED PER ECO-15-003239	24MAR2015	AP DD

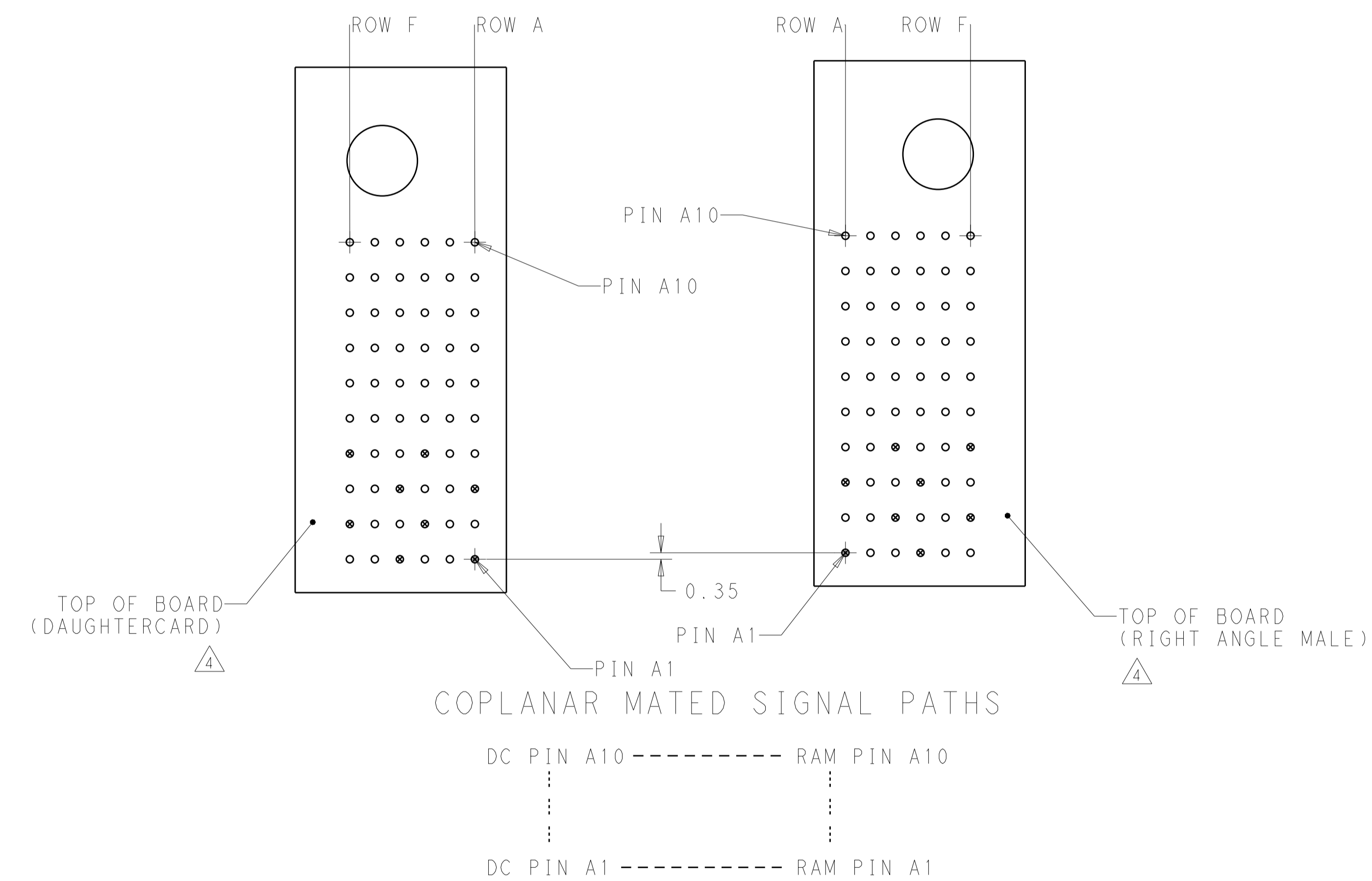


- 1 MATERIAL:  
HOUSING: LCP, GLASS FILLED, UL94V-0.  
TERMINALS: HIGH PERFORMANCE COPPER ALLOY.
- 2 FINISH:  
30µm SELECTIVE GOLD IN CONTACT AREA. SELECTIVE TIN ON PCB TAILS, NICKEL OVERALL.
- 3 FINISH:  
30µm SELECTIVE GOLD IN CONTACT AREA. SELECTIVE TIN-LEAD ON PCB TAILS, NICKEL OVERALL.
- 4 LEFT GUIDED RIGHT ANGLE MALE MATES TO RIGHT GUIDED RIGHT ANGLE RECEPTACLE.
- 5. CONNECTOR SUPPLIED WITH MOUNTING SCREW.



THIS DRAWING IS A CONTROLLED DOCUMENT.		OWN B. CARBO 15MAR2011	TE Connectivity
DIMENSIONS: mm		CHK J. EARY 15MAR2011	
TOLERANCES UNLESS OTHERWISE SPECIFIED:		APVD J. EARY 15MAR2011	NAME IMPACT, STD. RAM, 2 PAIR, 10 COLUMN LEFT GUIDED OPEN END WALL SIGNAL MODULE, 0.39 EYELET
0 PLC ±	1 PLC ±0.25	PRODUCT SPEC	SIZE CAGE CODE DRAWING NO
2 PLC ±0.13	3 PLC ±	APPLICATION SPEC	A100779C=2143016
4 PLC ±	ANGLES ±	WEIGHT	RESTRICTED TO
MATERIAL	FINISH SEE TABLE	Customer Drawing	SCALE 5:1 SHEET 1 OF 2 REV B1

REVISIONS				
P.	LTN	DESCRIPTION	DATE	APVD
-	-	SEE SHEET 1	-	-



$\triangle 3$	5.50	2143016-6
$\triangle 3$	4.90	2143016-5
$\triangle 2$	5.50	2143016-3
$\triangle 2$	4.90	2143016-2
FINISH	DIM M	PART NUMBER

REFER TO WWW.TE.COM FOR PRODUCT AVAILABILITY

THIS DRAWING IS A CONTROLLED DOCUMENT.		DWN B. CARBO 15MAR2011 CHK J. EARY 15MAR2011 APVD J. EARY 15MAR2011	TE Connectivity	
DIMENSIONS: mm 	TOLERANCES UNLESS OTHERWISE SPECIFIED: 0 PLC ± 1 PLC ±0.25 2 PLC ±0.13 3 PLC ± 4 PLC ± ANGLES ± FINISH ±	NAME: IMPACT, STD, RAM, 2 PAIR, 10 COLUMN LEFT GUIDED OPEN END WALL SIGNAL MODULE, 0.39 EYELET PRODUCT SPEC APPLICATION SPEC SIZE: CAGE CODE DRAWING NO: A100779C=2143016 WEIGHT: - Customer Drawing		RESTRICTED TO: -
MATERIAL: SEE TABLE		SCALE: 5:1	SHEET 2 OF 2	REV: B1

单击下面可查看定价，库存，交付和生命周期等信息

[>>TE Connectivity\(泰科\)](#)