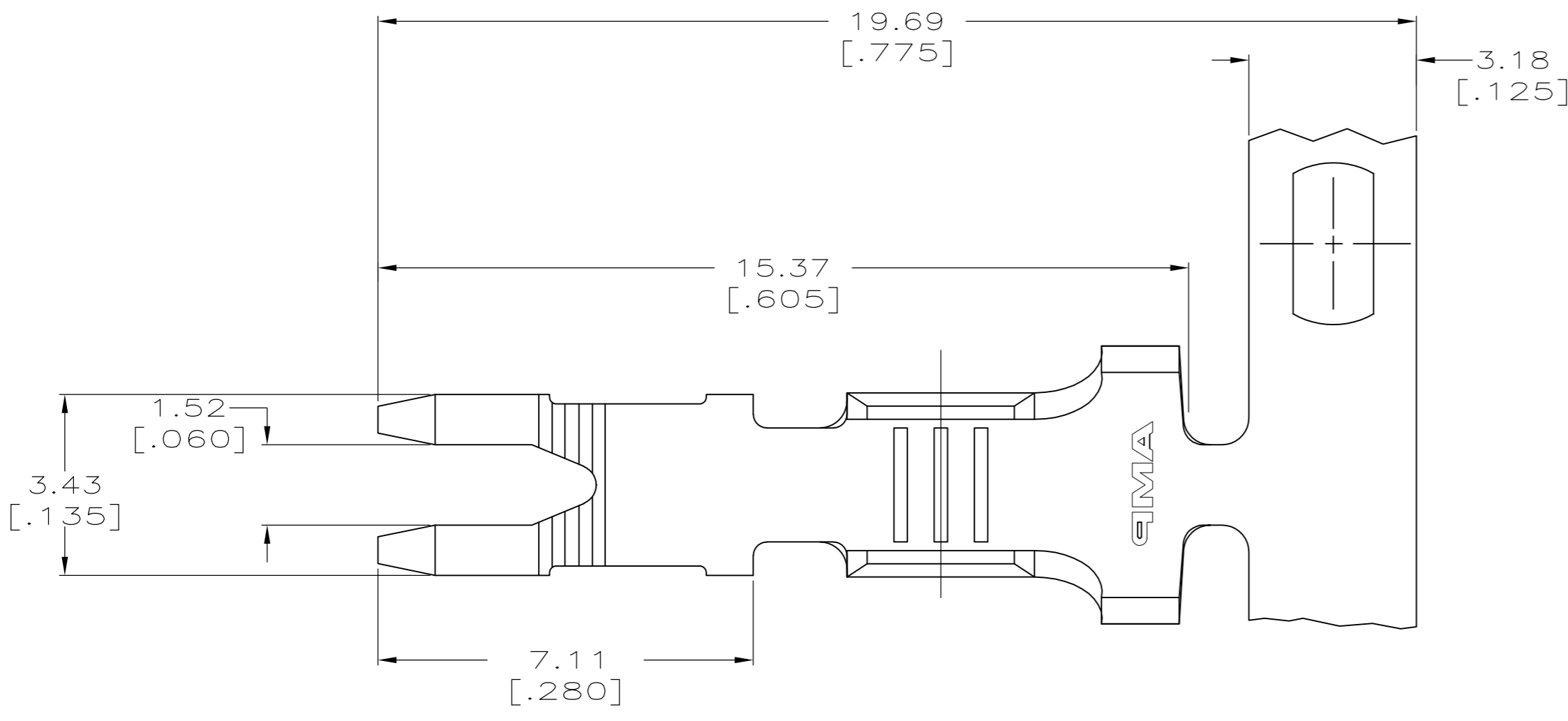
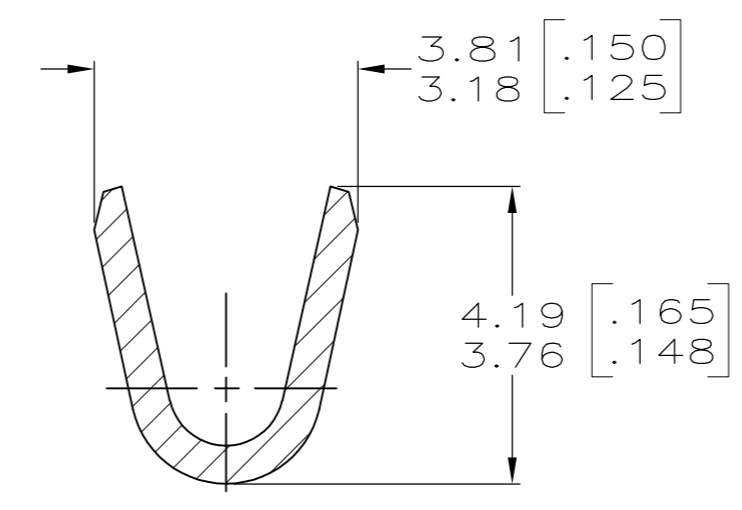
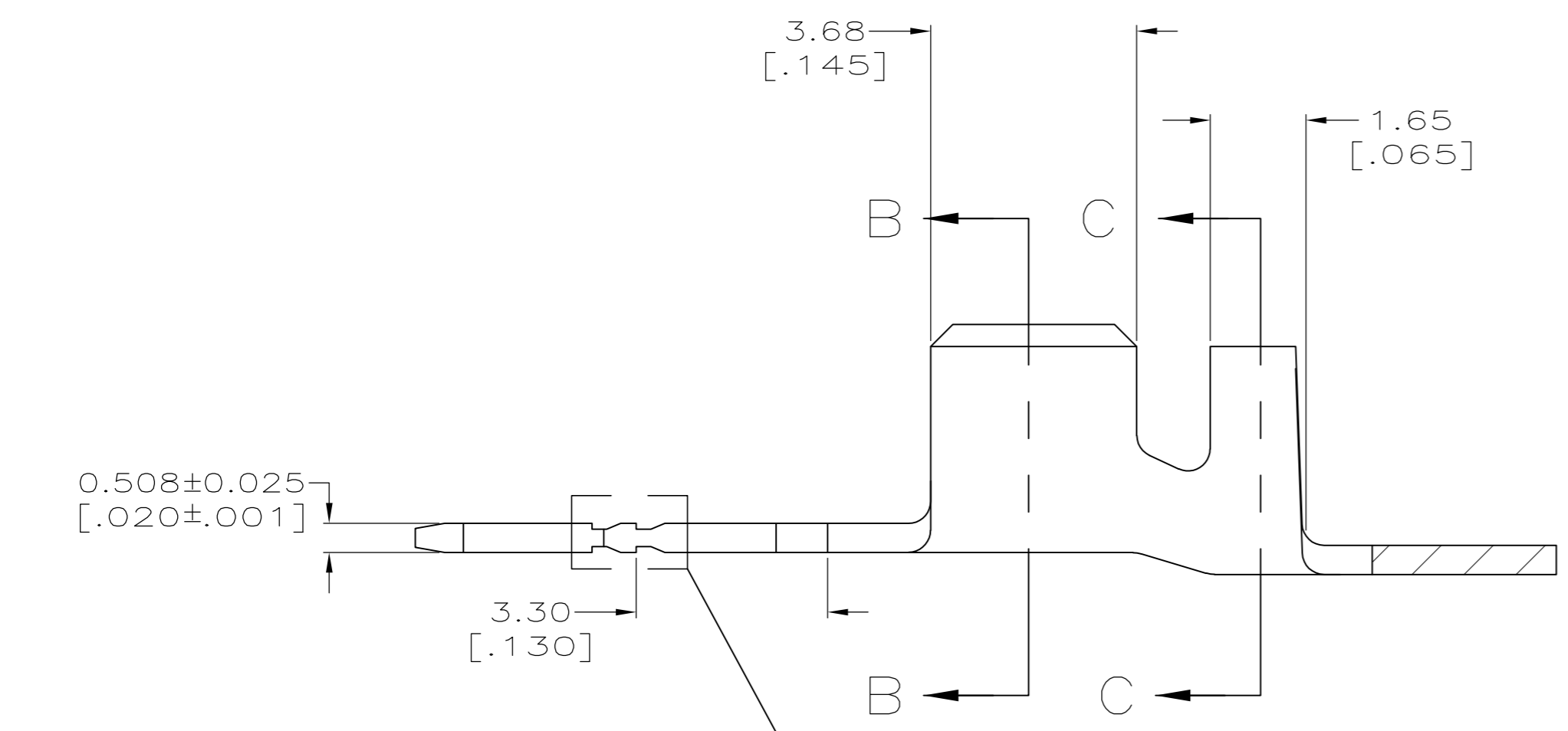


THIS DRAWING IS UNPUBLISHED. RELEASED FOR PUBLICATION  
 © COPYRIGHT - By - ALL RIGHTS RESERVED.

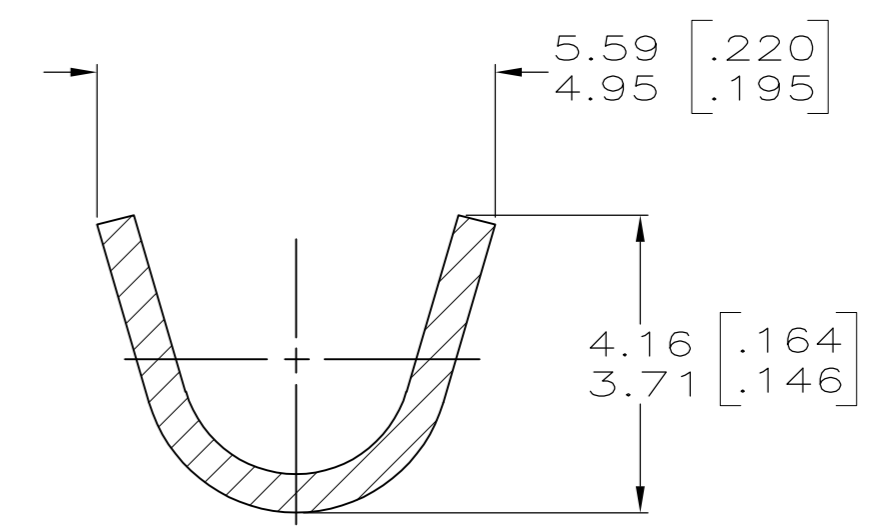
LOC	DIST	REVISIONS			
P	LTR	DESCRIPTION	DATE	DWN	APVD
AF	50	E2	PLATING AND DIMENSIONAL ERROR CORRECTED	16DEC2014	PKS RRP



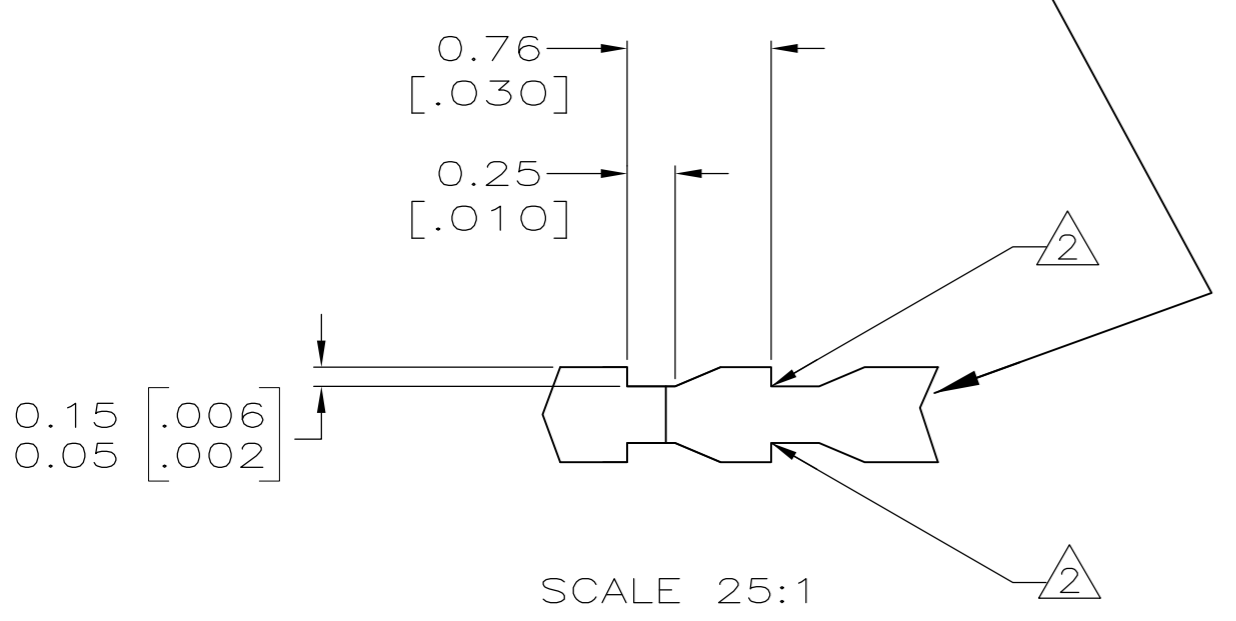
1 CONTINUOUS STRIP ON REELS  
 2 FOR OPTIMUM RETENTION IN POKE-IN TYPE MAG-MATE TERMINALS, ONE OF THE SERRATIONS, AS SHOWN, MUST BE ENGAGED WITH THE EDGE OF THE LEAF



SECTION B-B



SECTION C-C



SCALE 25:1

2.29-3.56 [.090-.140] DIA	0.8-2.0 mm <sup>2</sup> [18 - 14] AWG	63397-1
INSULATION RANGE	WIRE RANGE	PART NO.

THIS DRAWING IS A CONTROLLED DOCUMENT.		DWN	L.A.MAYER	9-15-92		TE Connectivity		
DIMENSIONS: INCHES		CHK	M.S.FEHER	9-16-92		NAME		
TOLERANCES UNLESS OTHERWISE SPECIFIED:		APVD	N.E.NEFF	9-16-92		TAB, POKE-IN, MAG-MATE™		
0 PLC ± - 1 PLC ± - 2 PLC ± 0.25 [.010] 3 PLC ± - 4 PLC ± - ANGLES ± -		PRODUCT SPEC	-			RESTRICTED TO	-	
MATERIAL	BRASS	FINISH	TIN PLATED	APPLICATION SPEC	114-2050	SIZE	A2	
CUSTOMER DRAWING		WEIGHT	-	CAGE CODE	00779	DRAWING NO	C=63397	
SCALE		10:1	SHEET	1 of 1	REV	E2		

单击下面可查看定价，库存，交付和生命周期等信息

[>>TE Connectivity\(泰科\)](#)