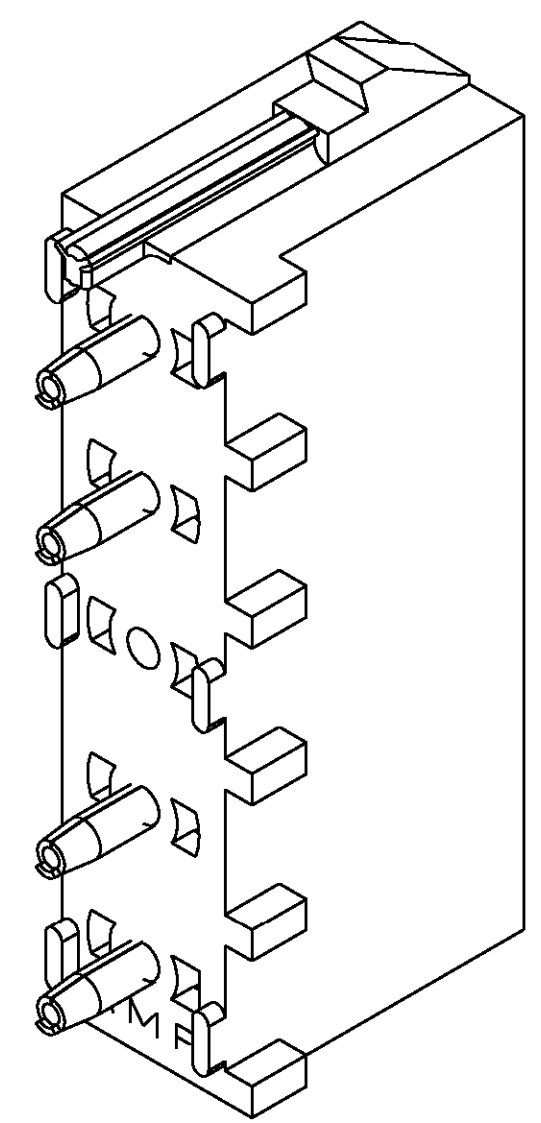
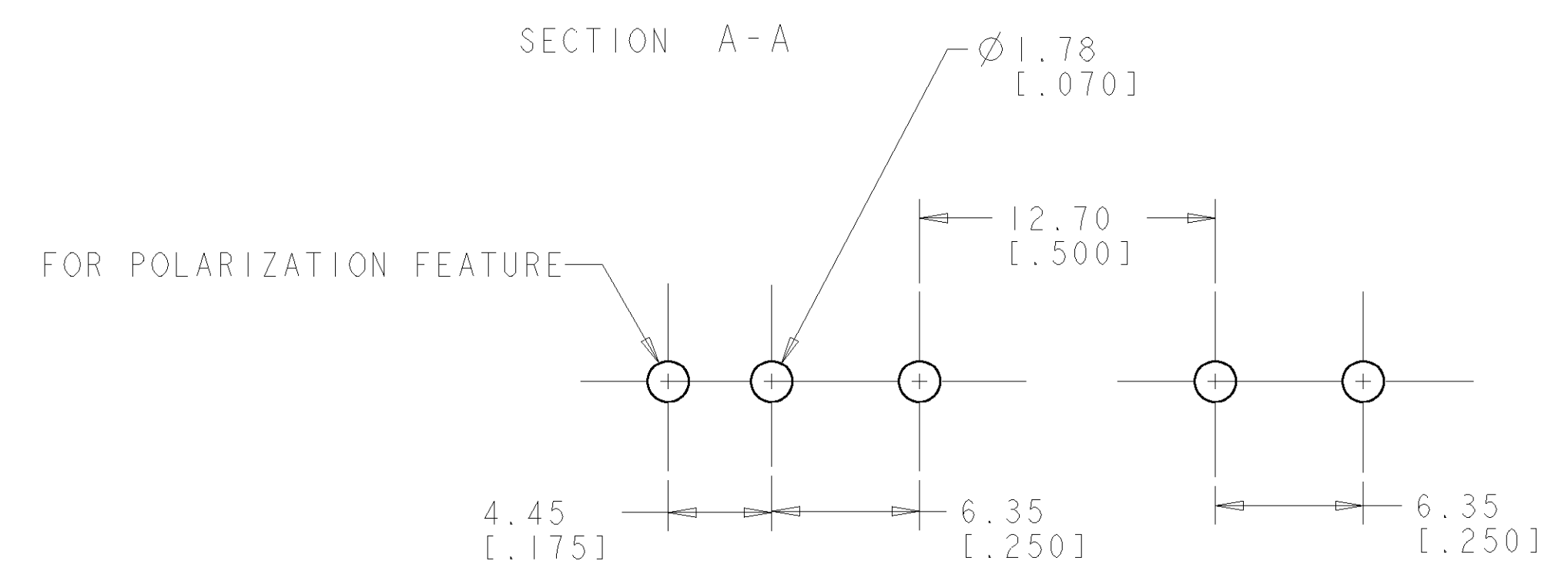
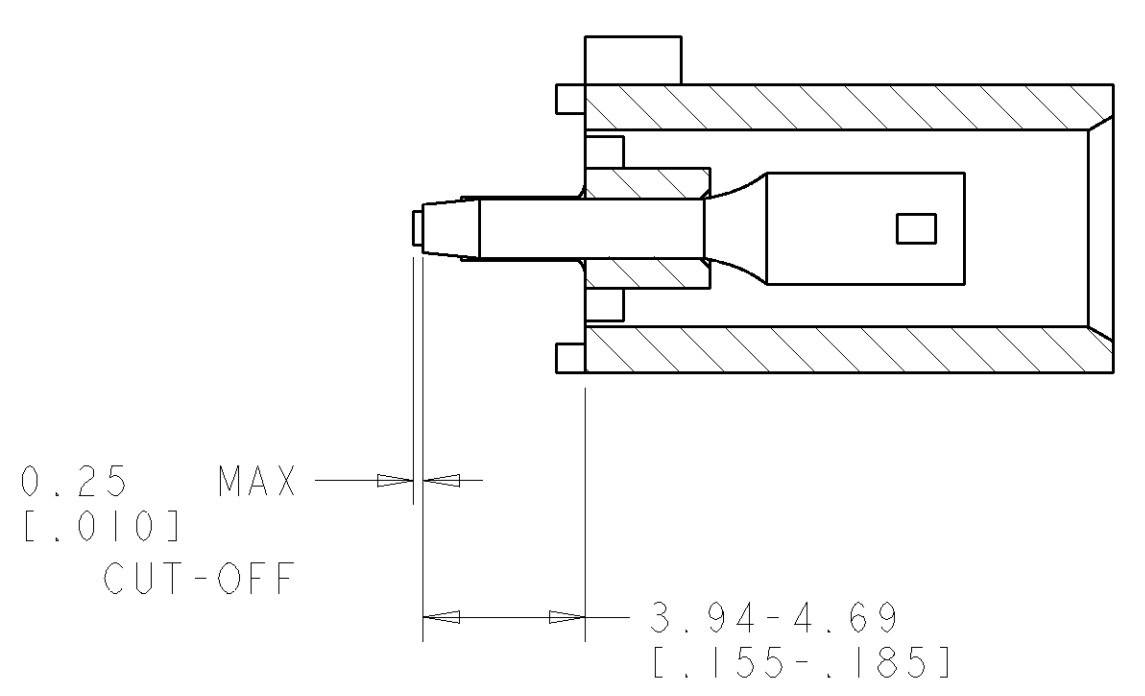
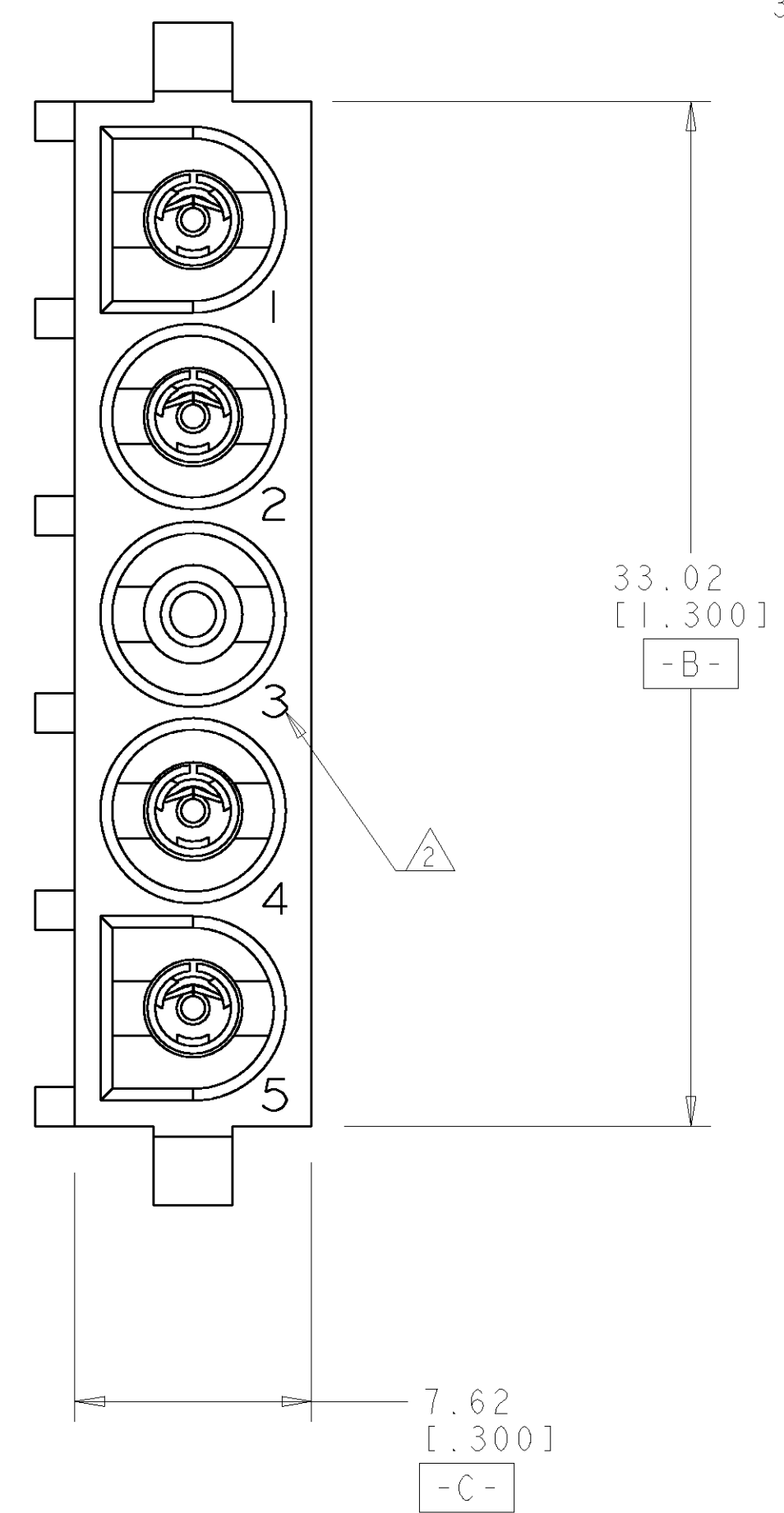
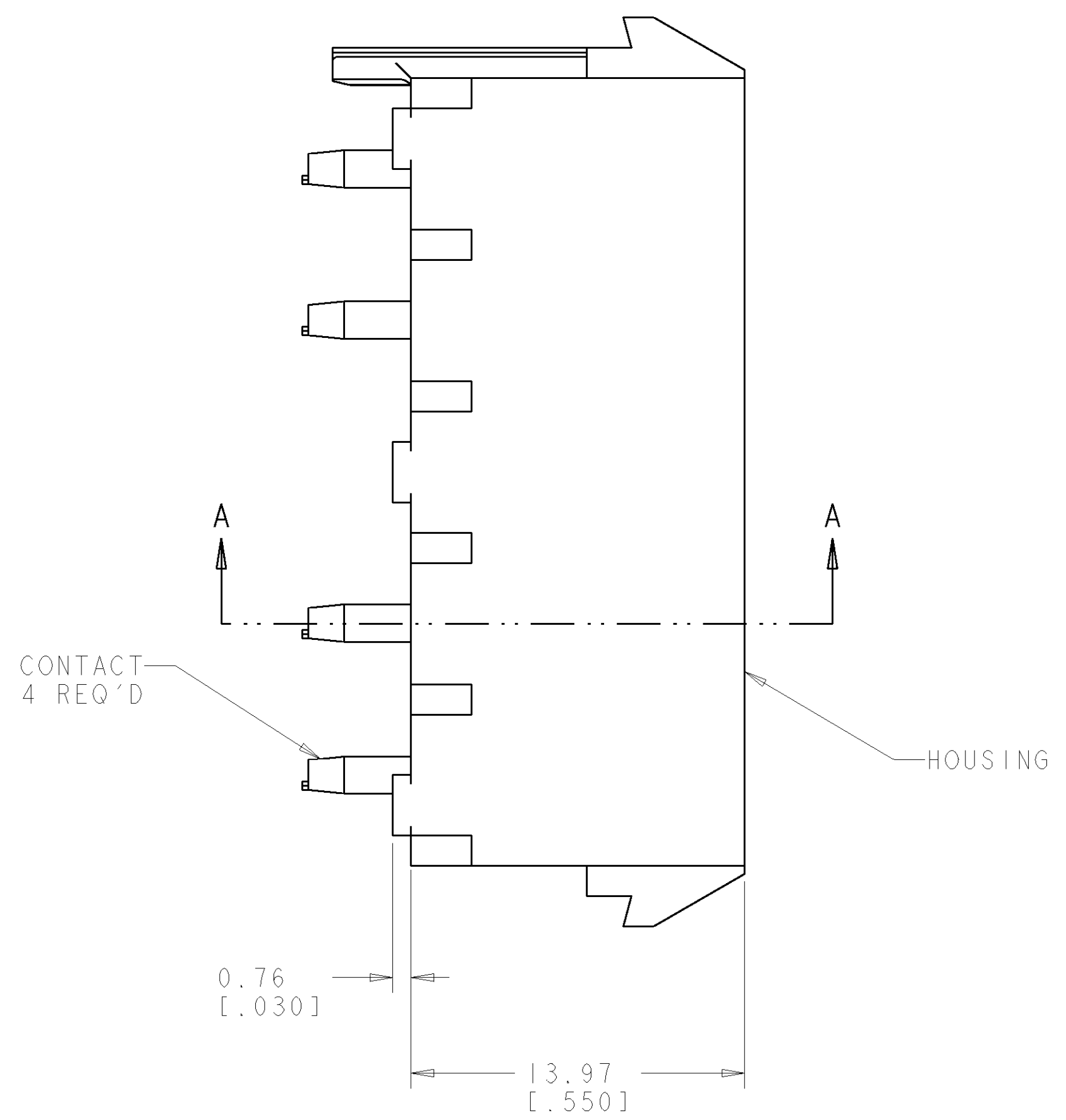
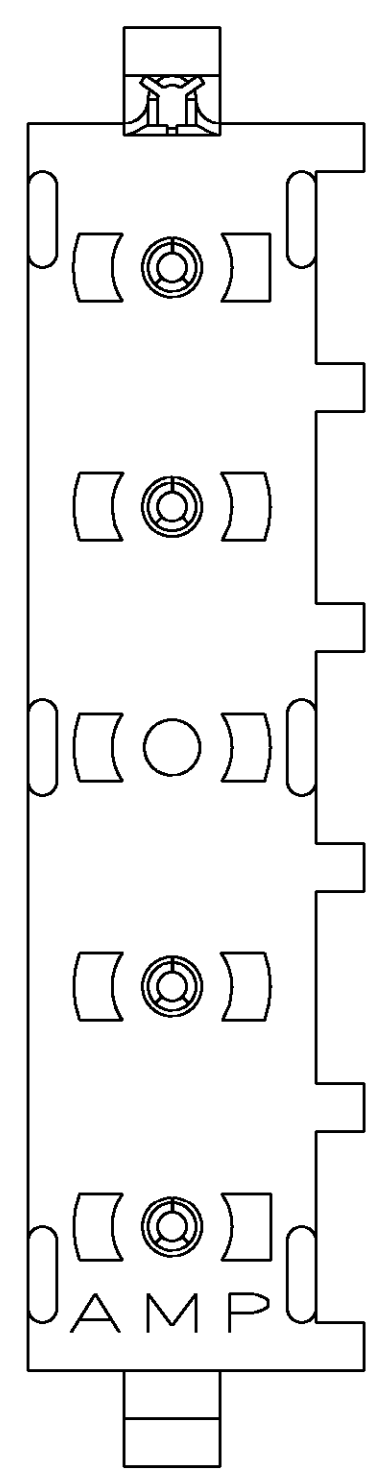


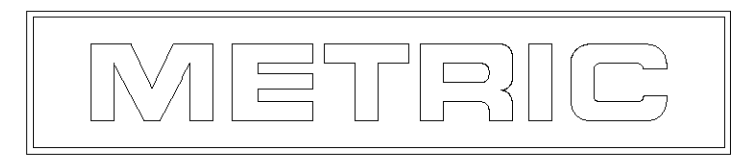
LOC		DIST		REVISIONS			
CM	00	P	LTR	DESCRIPTION	DATE	DWN	APVD
		0		RELEASED PER 0638-0526-04	18JUN04	KW	SR

- PARTS COMPLY TO AMP SOLDERABILITY SPECIFICATION 109-11-3.
- CIRCUIT IDENTIFICATION CHARACTERS ARE ADJACENT TO THE INDICATED CAVITIES, BUT LOCATION AND ORIENTATION MAY DIFFER FROM PRINT.
- DIMENSIONS IN BRACKETS ARE IN INCHES.



3 DIMENSIONAL MODEL  
SCALE 4:1

3	PHOSPOR BRONZE, PRE-TIN	NYLON, UL94V-0, WHITE	1586397-1
OMITTED CONTACT NO	CONTACT MATERIAL AND FINISH	HOUSING MATERIAL AND COLOR	PART NUMBER



DIMENSIONS: mm [INCHES]		TOLERANCES UNLESS OTHERWISE SPECIFIED:		DWN R. WHITAKER 05-FEB-04		Tyco Electronics Harrisburg, PA 17105-3608	
0 PLC ±		1 PLC ±		CHK S. RIDGILL 05-FEB-04		NAME SOCKET HEADER ASSEMBLY, POLARIZED, 5 CIRCUIT, SELECTIVELY LOADED, UNIVERSAL MATE-N-LOK™	
2 PLC ±0.13(.005)		3 PLC ±		APVD S. RIDGILL 05-FEB-04		PRODUCT SPEC	
4 PLC ±		5 PLC ±		APPLICATION SPEC		SIZE CAGE CODE DRAWING NO RESTRICTED TO	
ANGLES ±40° 30'		FINISH SEE TABLE		WEIGHT		A 00779 C-1586397	
MATERIAL SEE TABLE		CUSTOMER DRAWING		SCALE 5:1		SHEET 1 OF 1 REV 0	

单击下面可查看定价，库存，交付和生命周期等信息

[>>TE Connectivity\(泰科\)](#)