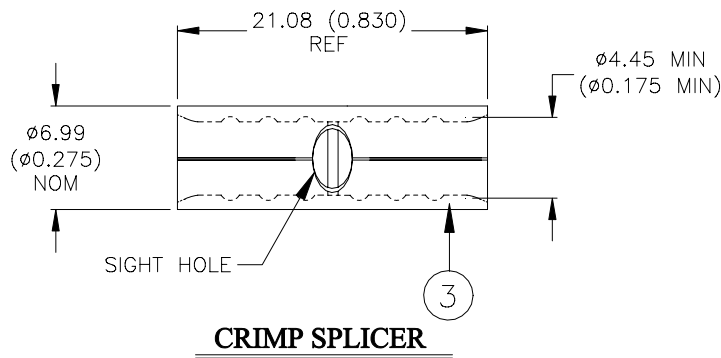
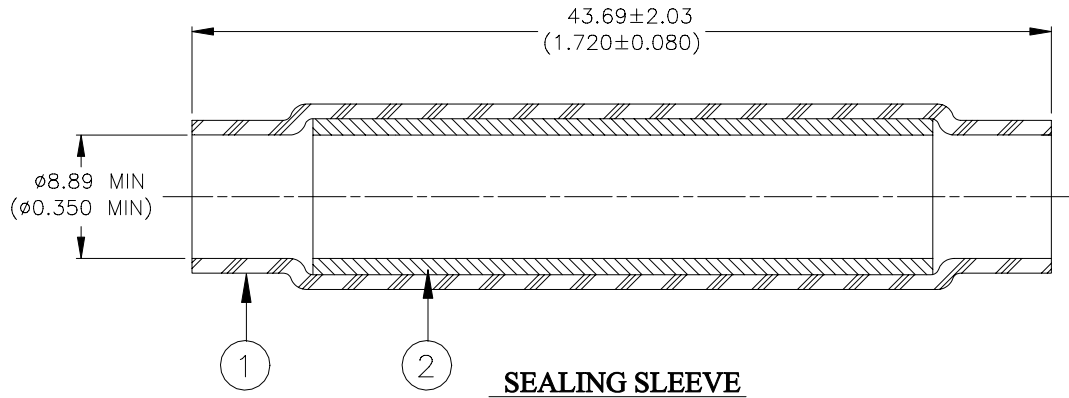


SPECIFICATION CONTROL DRAWING



MATERIALS

1. INSULATION SLEEVE: Heat-shrinkable, transparent blue, radiation cross-linked modified polyvinylidene fluoride.
2. MELTABLE INSERT: Immersion resistant fluorocarbon-based thermoplastic, color-natural.
3. CRIMP SPLICER: Base Metal: Copper Alloy 110 per ASTM B-152.
Plating: Tin plated per MIL-T-10727
Wire Size Range: 6.64 – 10.5mm² (13100 – 20800 CMA, 8 AWG) Solid or Stranded.

APPLICATION

1. This device is designed to provide immersion resistant 1 to 1 splices in wires having insulation diameter between 1.91 (0.075) and 8.26 (0.325) and rated for at least 135°C and conductors falling within the wire size range as listed above.
2. Splicer to be installed with AMP 69355 (or equivalent) tool. Sealing sleeve may be installed with convection heaters.
3. Free recovered I.D. of Sealing sleeve is 1.91 (0.075) max. (through inserts).

tyco / Electronics / Raychem 307 Constitution Drive Menlo Park, CA 94025, USA		Wire and Harnessing Products	TITLE: IN-LINE CRIMP SPLICE, 1 TO 1, 8 AWG , TIN PLATED				
Unless otherwise specified dimensions are in millimeters. Inches dimensions are in between brackets.			DOCUMENT NO.: D-436-0081				
TOLERANCES: 0.00 N/A 0.0 N/A 0 N/A	ANGLES: N/A ROUGHNESS IN MICRON	Tyco Electronics reserves the right to amend this drawing at any time. Users should evaluate the suitability of the product for their application.			DOC ISSUE: 0	DATE: 3-Oct-01	
DRAWN BY: M. FORONDA	CAGE CODE: 06090	REPLACES: N/A	DCR NUMBER: D010495	PROD. REV.: B	SCALE: None	SIZE: A	SHEET: 1 of 1

If this document is printed it becomes uncontrolled. Check for the latest revision.

单击下面可查看定价，库存，交付和生命周期等信息

[>>TE Connectivity\(泰科\)](#)