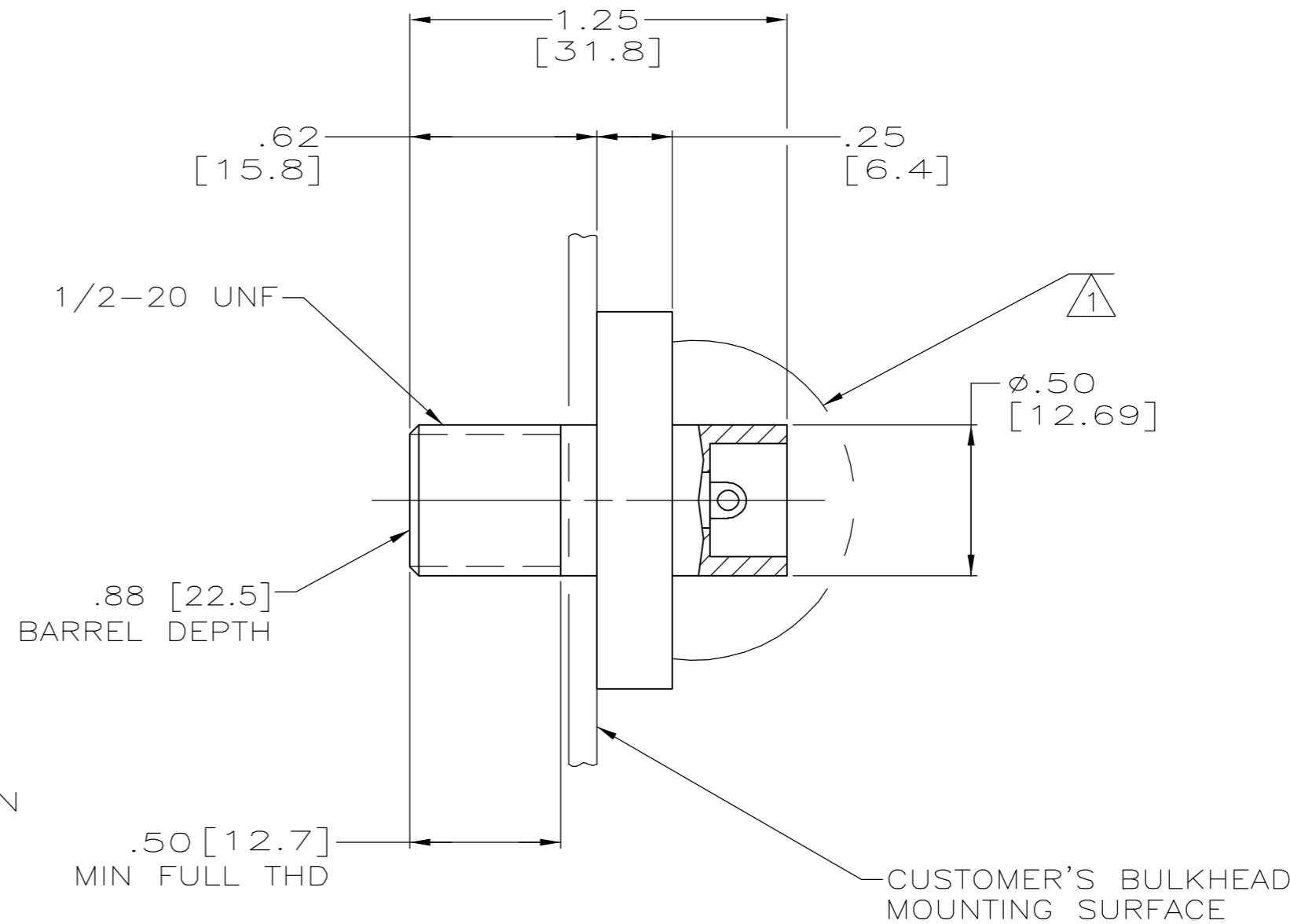
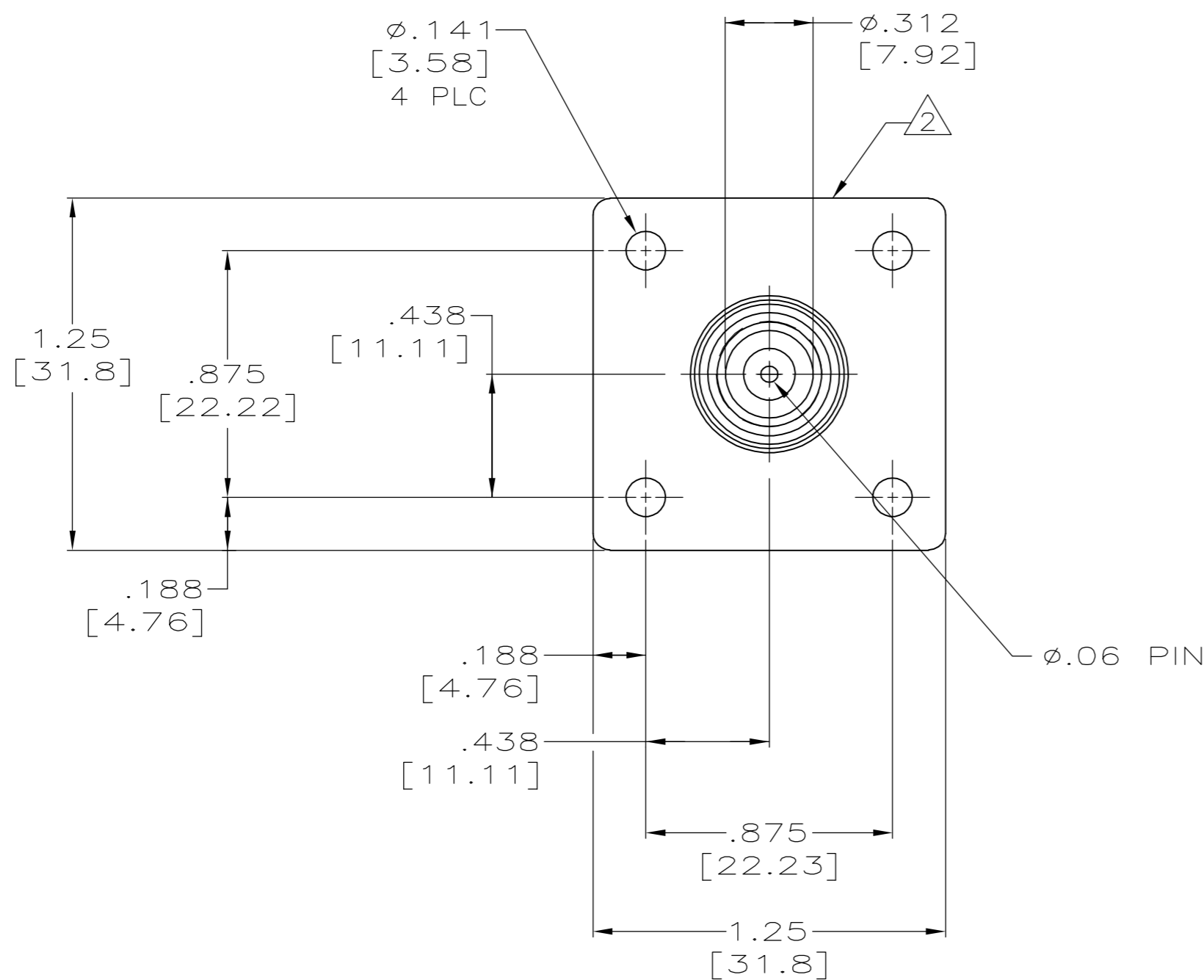


THIS DRAWING IS UNPUBLISHED. RELEASED FOR PUBLICATION - N/A .
 © COPYRIGHT N/A BY TYCO ELECTRONICS CORPORATION. ALL RIGHTS RESERVED.

LOC	DIST	REVISIONS					
DF	S0	P	LTR	DESCRIPTION	DATE	DWN	APVD
		K		REV PER 0H14-0191-05	05-05	AA	DE

- ① CUSTOMER MUST PROTECT BACK END AGAINST ARC OVER & BREAKDOWN IF BULKHEAD & MOUNTING HARDWARE ARE METALLIC & AT GROUND POTENTIAL.
- ② MARKED PER MIL-STD-130.
- ③ THIS PART REQUIRES A MINIMUM AQL 0.65 TIGHTENED-LEVEL III INSPECTION PER MIL-STD 105E. INSPECTION SAMPLE IS TO BE SEPARATELY BAGGED OR IDENTIFIED. CERTIFICATE OF COMPLIANCE IS REQUIRED WITH DELIVERY OF PARTS.
- 4. RECEPTACLE TO MATE WITH ANY AMP LGH-1 LEAD ASSY.



REMARKS	DESCRIPTION	PART NO.
-	RCPT ASSY (TIN PLATED PIN)	5-858827-1
③	RCPT ASSY (TIN-LEAD PLATED PIN)	858827-5
-	RCPT ASSY (GOLD PLATED PIN)	858827-2
-	RCPT ASSY (TIN-LEAD PLATED PIN)	858827-1

THIS DRAWING IS A CONTROLLED DOCUMENT.		DWN C.C.THOMAS 27-MAY-93	Tyco Electronics Corporation Harrisburg, Pa 17105-3608	
DIMENSIONS: INCHES	TOLERANCES UNLESS OTHERWISE SPECIFIED:	CHK D.EABY 02-JUN-93	NAME D.EABY 02-JUN-93	
	0 PLC ± -	APVD D.EABY 02-JUN-93	PRODUCT SPEC	
	1 PLC ± -		APPLICATION SPEC	
	2 PLC ± .02[0.5]		WEIGHT -	
	3 PLC ± .005[0.13]		SIZE A2	
	4 PLC ± -		CAGE CODE 00779	
	ANGLES ± -		DRAWING NO C=858827	
MATERIAL GLASS EPOXY COLOR: BLACK	FINISH -		RESTRICTED TO -	
CUSTOMER DRAWING			SCALE 2:1 SHEET 1 OF 1 REV K	

单击下面可查看定价，库存，交付和生命周期等信息

[>>TE Connectivity\(泰科\)](#)