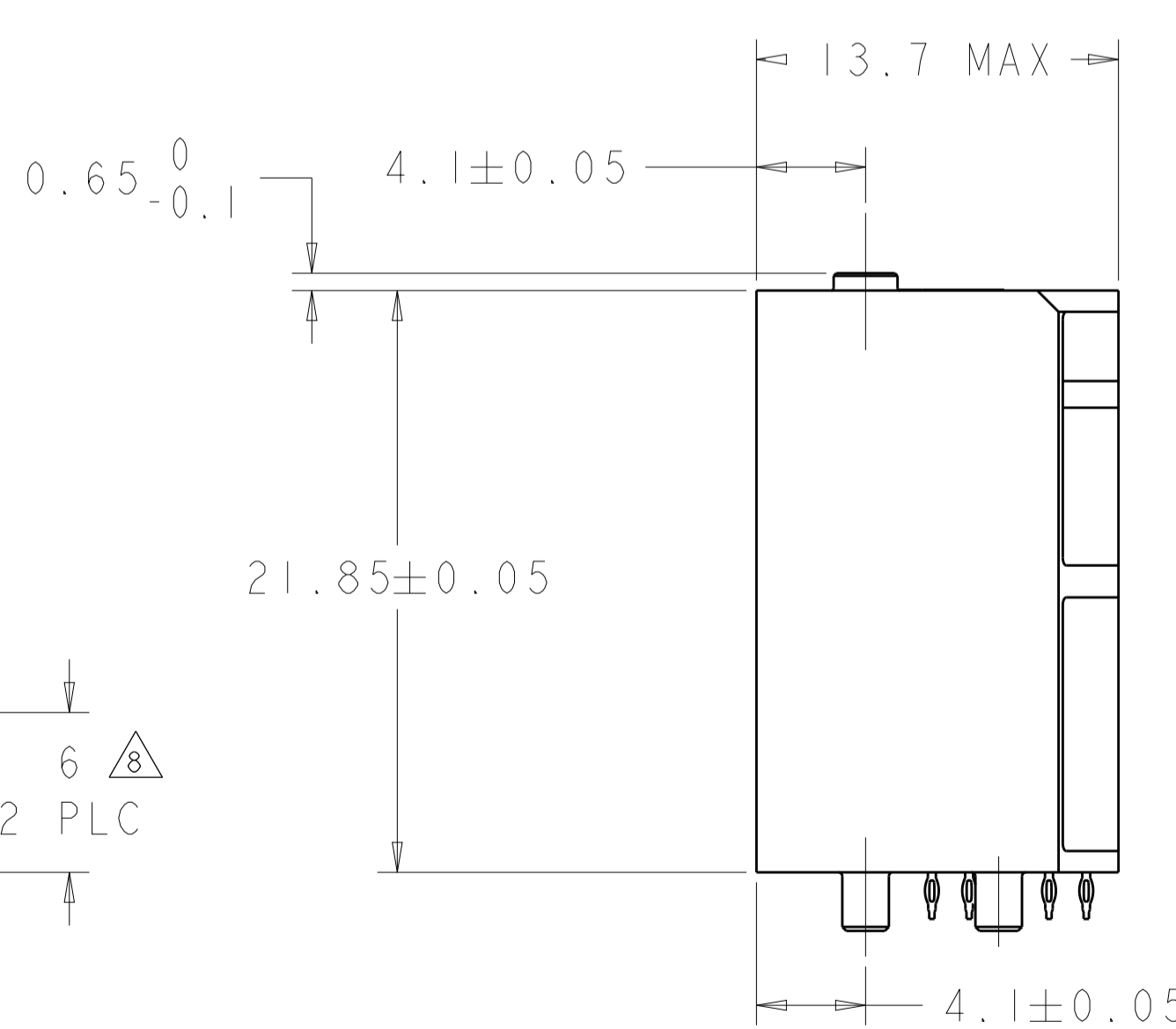
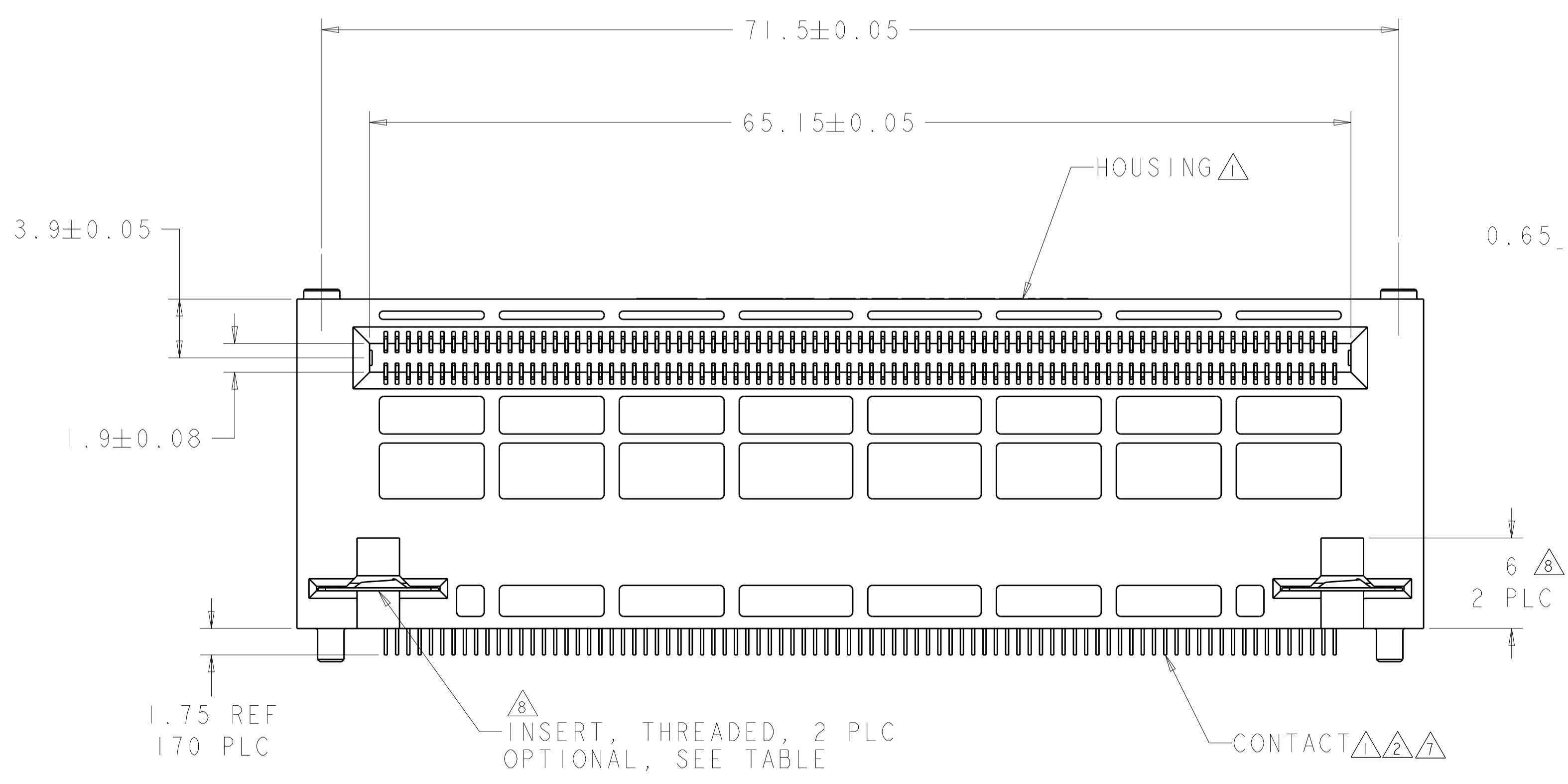
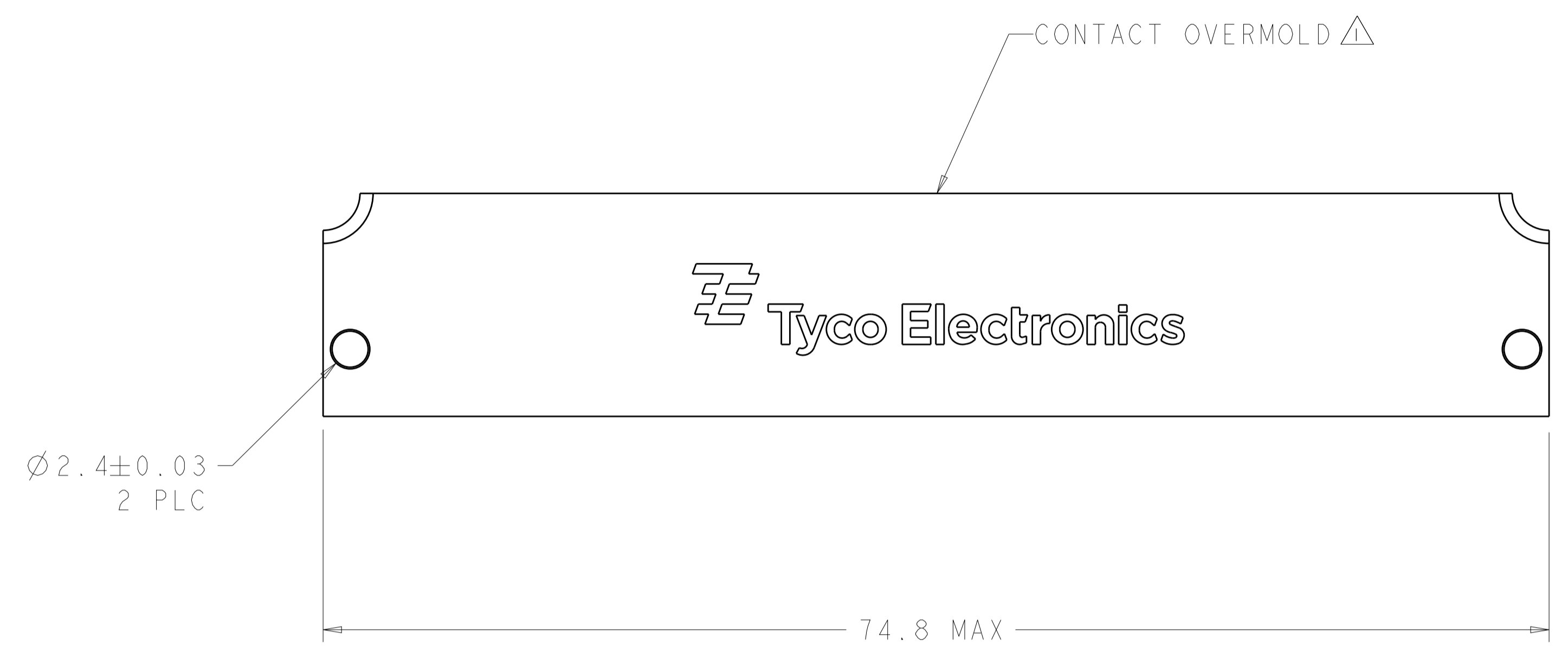


LOC	DIST	REVISIONS					
		P	LTN	DESCRIPTION	DATE	DWN	APVD
AG	00	A		A RELEASE	24OCT2019	SY	HL



- △ HOUSING: LCP, UL94V-0 RATED
CONTACT OVERMOLD: POLYESTER, PBT,
30% GLASS FIBER REINFORCED
CONTACT: COPPER ALLOY
- △ CONTACT FINISH: 1.27 MICROMETER MIN TIN-LEAD OVER
1.27 MICROMETER MIN NICKEL ON TAIL
SURFACE TREATMENT OVER 0.76 MICROMETER MIN GOLD OR 0.64 MICROMETER
MIN PALLADIUM-NICKEL OVER 1.27 MICROMETER MIN NICKEL ON MATING AREA
- △ MANUFACTURING TOLERANCE FOR $\varnothing 0.40$ REF FINISHED HOLE WITH Sn Pb PLATING:
DRILLED HOLE = $\varnothing 0.50 \pm 0.02$
COPPER PLATING = 0.025-0.050
Sn Pb PLATING = 0.0038-0.0124
OR
 $\varnothing 0.425$ REF FINISHED HOLE WITHOUT Sn Pb PLATING
DRILLED HOLE = $\varnothing 0.50 \pm 0.02$
COPPER PLATING = 0.025-0.050 WITH EITHER
OSP = 0.0002-0.0005 OR
IMMERSION Ag = 0.0001 MIN OR
IMMERSION Au/Ni = 0.0001-0.0005 AU / 0.004-0.0076 Ni
- △ DESIGN WILL ACCEPT MODULES THAT MEET THE REQUIREMENTS
OF PICMG AMC.0 RI.0 ADVANCED MEZZANINE CARD CONNECTOR
- △ SIGNAL GROUND VIAS, 28 PLACES, PCB ONLY, NOT
USED IN CONNECTOR
- △ DATUM -F- AND BASIC DIMENSION ESTABLISHED BY
CUSTOMER'S FIDUCIALS
- △ CONTACT FINISH: 1.27 MICROMETER MIN TIN OVER
1.27 MICROMETER MIN NICKEL ON TAIL
SURFACE TREATMENT OVER 0.76 MICROMETER MIN GOLD OR 0.64 MICROMETER
MIN PALLADIUM-NICKEL OVER 1.27 MICROMETER MIN NICKEL ON MATING AREA
- △ MOUNTING SCREW REQUIREMENTS: CUSTOMER SUPPLIED M2.5 X 0.45 8mm LONG
LENGTH DETERMINED BY: PCB THICKNESS 2.4 ± 0.2 , WASHER THICKNESS 0.9 ± 0.3
CHANGES IN PCB AND/OR WASHER THICKNESS MAY EFFECT SCREW LENGTH.
MAXIMUM ALLOWABLE TORQUE, 2.0 Kg/cm

7.0	2	YES	△	△	3-1367703-2
7.0	2	YES	△	△	3-1367703-1
7.0	2	NO	△	△	2-1367703-2
7.0	2	NO	△	△	2-1367703-1
3.0	1	YES	△	△	1-1367703-2
3.0	1	YES	△	△	1-1367703-1
3.0	1	NO	△	△	1367703-2
3.0	1	NO	△	△	1367703-1
"A"	SHEET	INSERTS	FINISH	PART NUMBER	

THIS DRAWING IS A CONTROLLED DOCUMENT.

DIMENSIONS: mm

TOLERANCES UNLESS OTHERWISE SPECIFIED:

0 PLC	±
1 PLC	±
2 PLC	±
3 PLC	±
4 PLC	±
ANGLES	±
FINISH	△

MATERIAL: △

FINISH: △

RESTRICTED CUSTOMER

DWN: P. KERLIN 18FEB2005
CHK: E. BRIGHT 18FEB2005
APVD: E. BRIGHT 18FEB2005

NAME: AMC CONNECTOR, STYLE B+

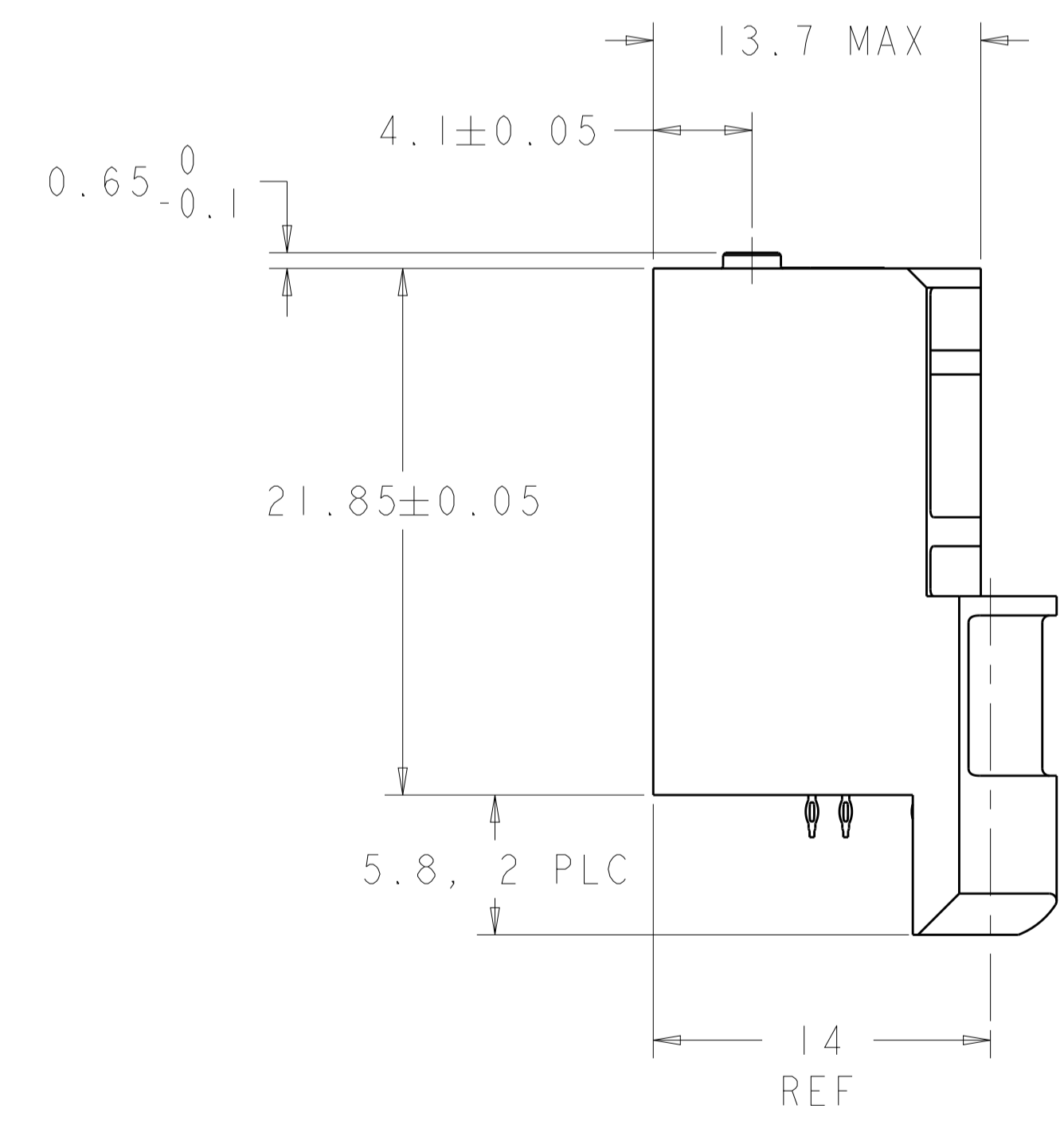
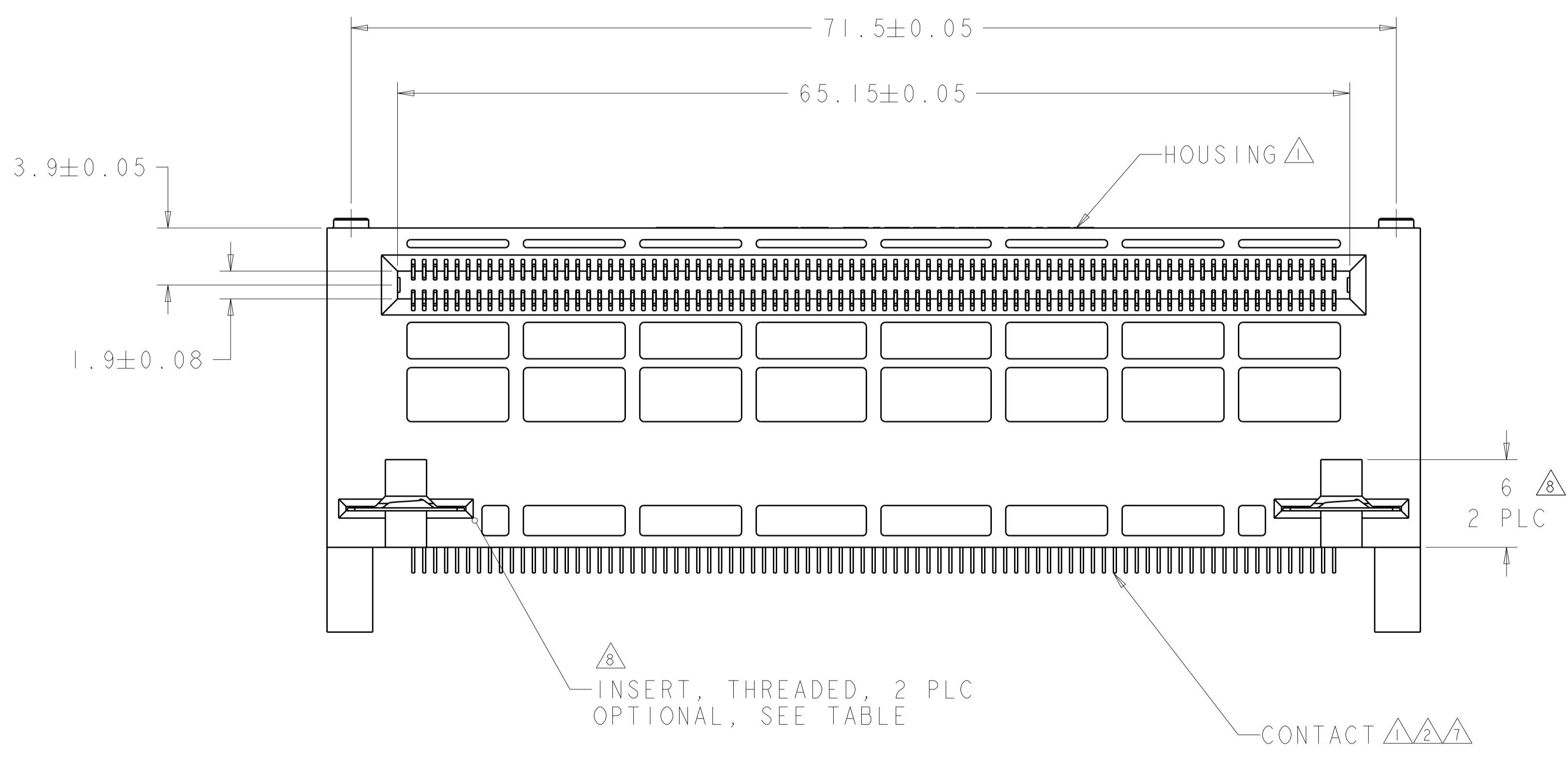
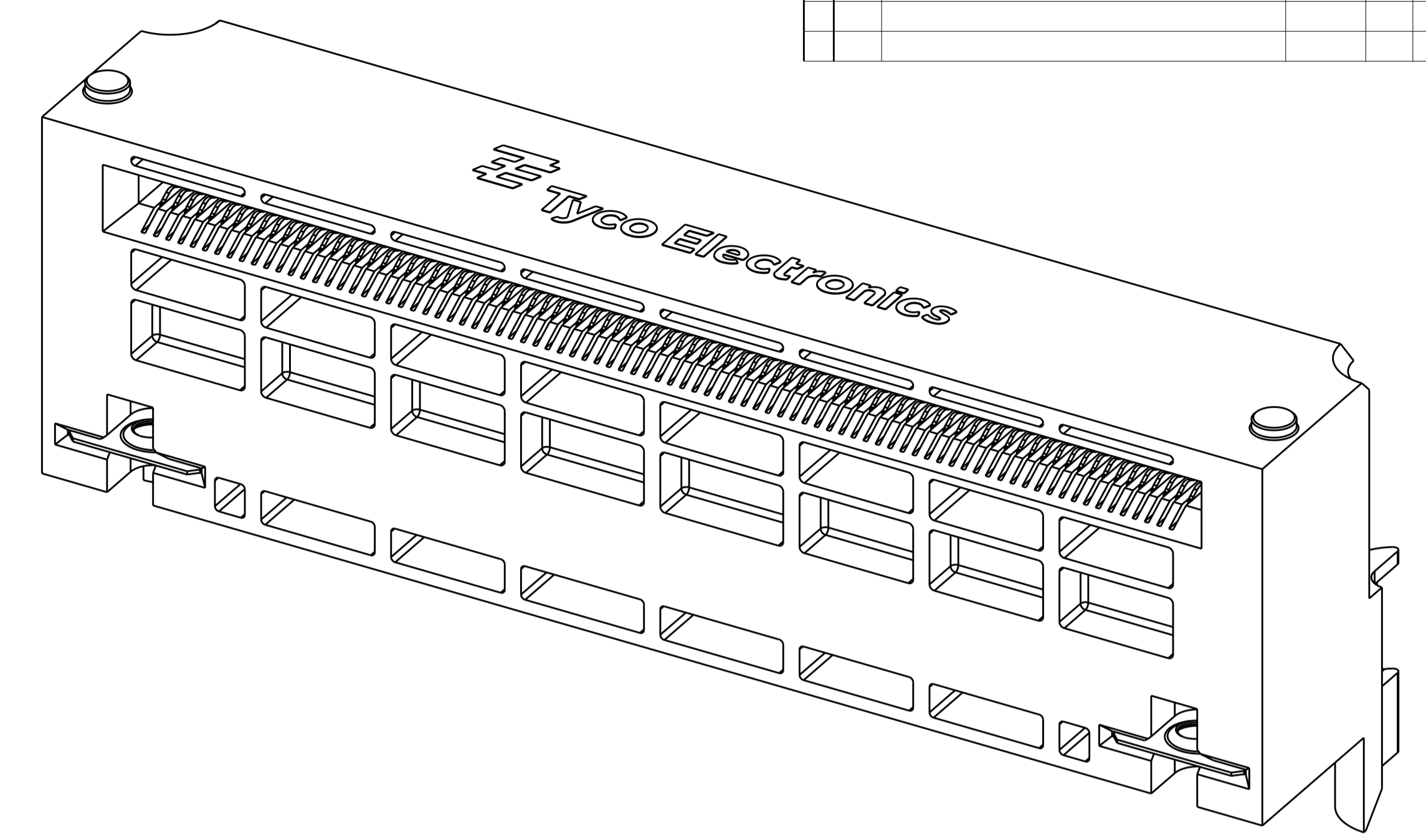
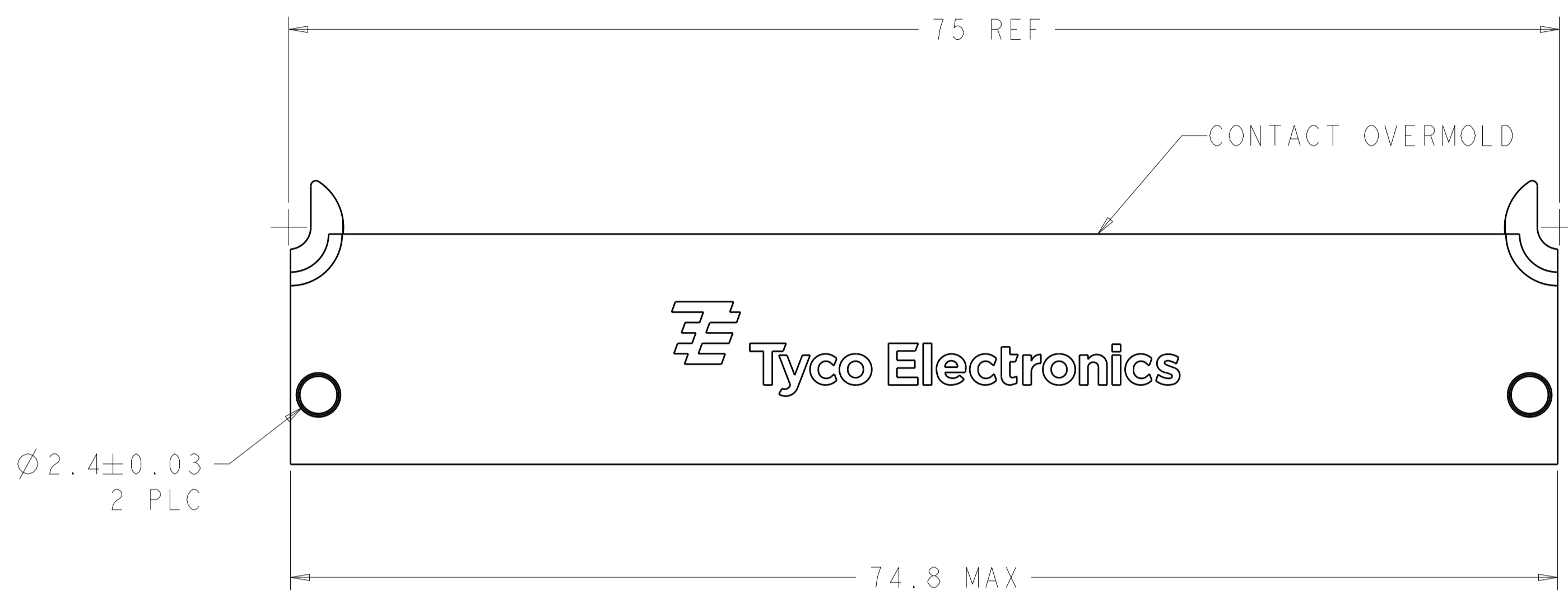
PRODUCT SPEC: 108-2277
APPLICATION SPEC: 114-13181

SIZE: A1
CAGE CODE: 00779
DRAWING NO: 1367703

RESTRICTED TO: A

SCALE: 4:1
SHEET: 1 OF 3
REV: A

LOC		DIST		REVISIONS			
AG	00	P	LTN	DESCRIPTION	DATE	OWN	APVD
		-		SEE SHEET 1			

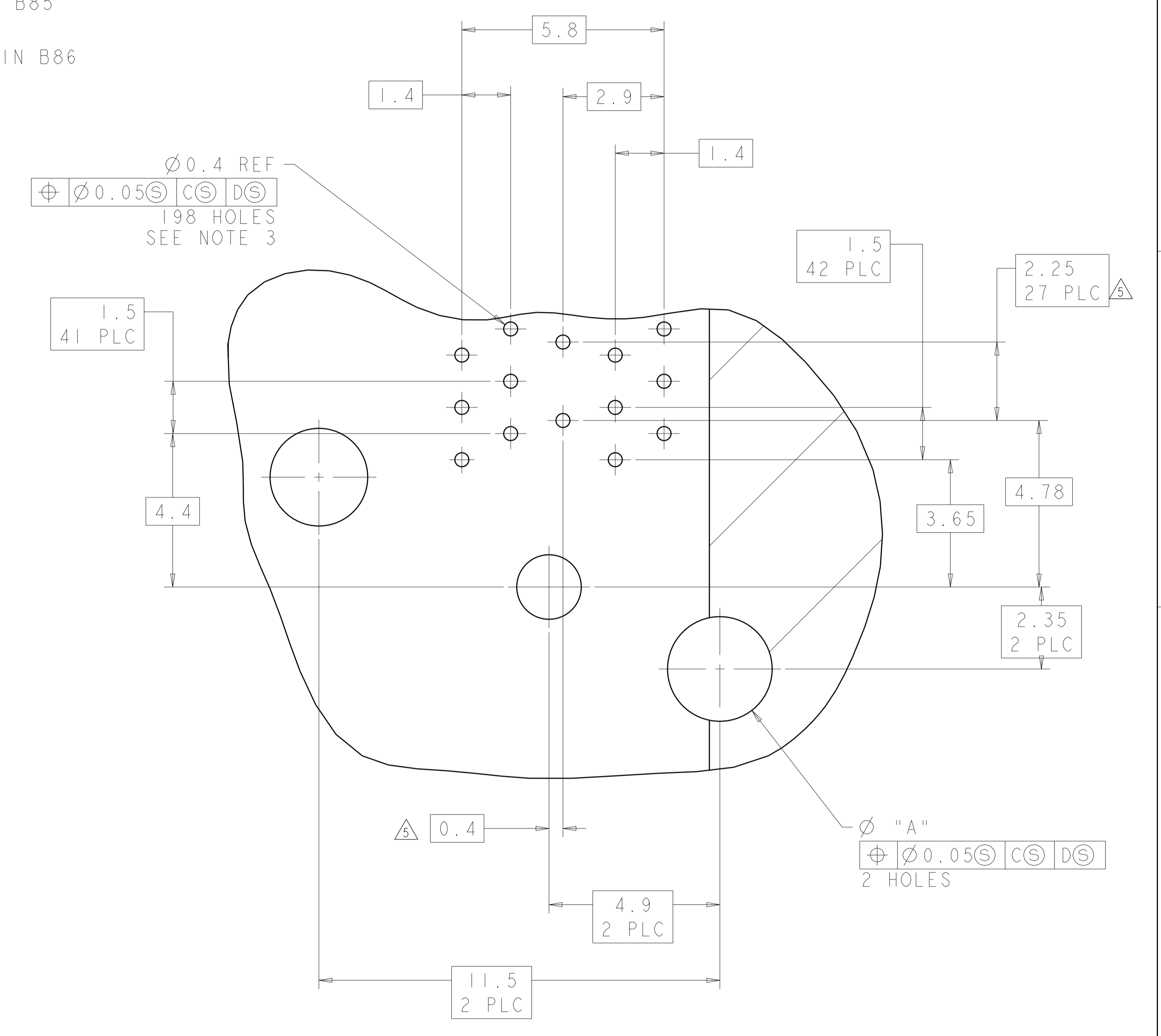
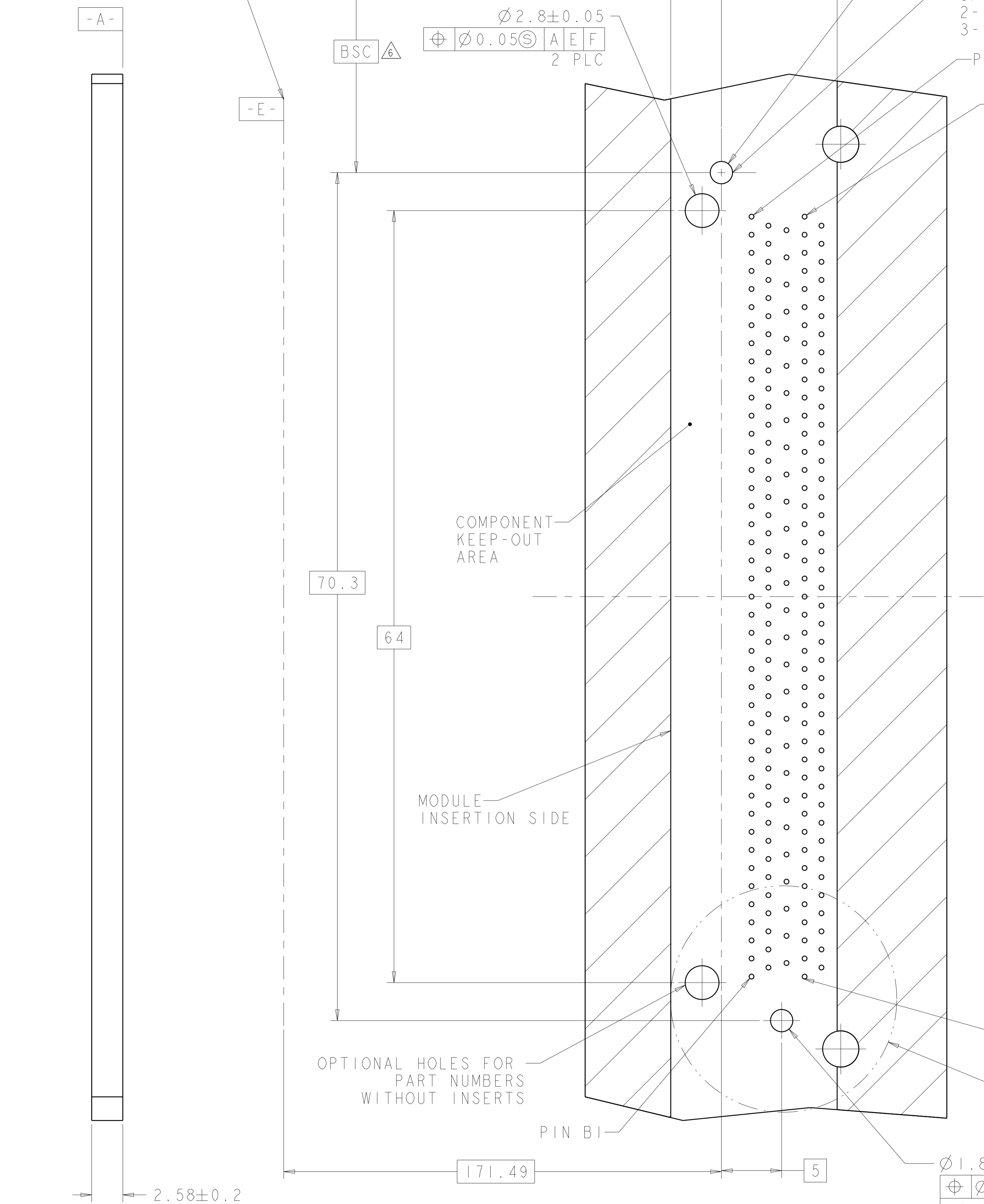


THIS DRAWING IS A CONTROLLED DOCUMENT.		OWN P. KERLIN 18FEB2005	18FEB2005	TE Tyco Connectivity
DIMENSIONS: mm		CHK E. BRIGHT 18FEB2005	18FEB2005	
TOLERANCES UNLESS OTHERWISE SPECIFIED:		APVD E. BRIGHT 18FEB2005		NAME AMC CONNECTOR, STYLE B+
0 PLC ±		PRODUCT SPEC		SIZE -
1 PLC ±		APPLICATION SPEC		CAGE CODE -
2 PLC ±		114-13181		DRAWING NO A100779
3 PLC ±		WEIGHT		RESTRICTED TO -
4 PLC ±		RESTRICTED CUSTOMER		SCALE 4:1
ANGLES ±		SHEET 2 OF 3		REV A
FINISH				

LOC	DIST	REV	DATE	BY	APPV
AG	00				

REVISIONS			
NO.	DESCRIPTION	DATE	BY
1	SEE SHEET 1		

DATUM -E- REFERS TO CARRIER BOARD FROM PICMG AMC SPECIFICATION



DETAIL X
 SCALE 12:1

RECOMMENDED P.C.B. CONFIGURATION

THIS DRAWING IS A CONTROLLED DOCUMENT.		OWN P. KERLIN 18FEB2005	TE Connectivity
DIMENSIONS:		CHK E. BRIGHT 18FEB2005	
mm	TOLERANCES UNLESS OTHERWISE SPECIFIED:	APVD E. BRIGHT 18FEB2005	NAME AMC CONNECTOR, STYLE B+
0 PLC ±	1 PLC ±	PRODUCT SPEC	SIZE
2 PLC ±	3 PLC ±	108-2277	CAGE CODE
4 PLC ±	ANGLES ±	APPLICATION SPEC	DRAWING NO
MATERIAL	FINISH	114-13181	RESTRICTED TO
		WEIGHT	A100779C=1367703
		RESTRICTED CUSTOMER	SCALE 5:1 SHEET 3 OF 3 REV A

单击下面可查看定价，库存，交付和生命周期等信息

[>>TE Connectivity\(泰科\)](#)