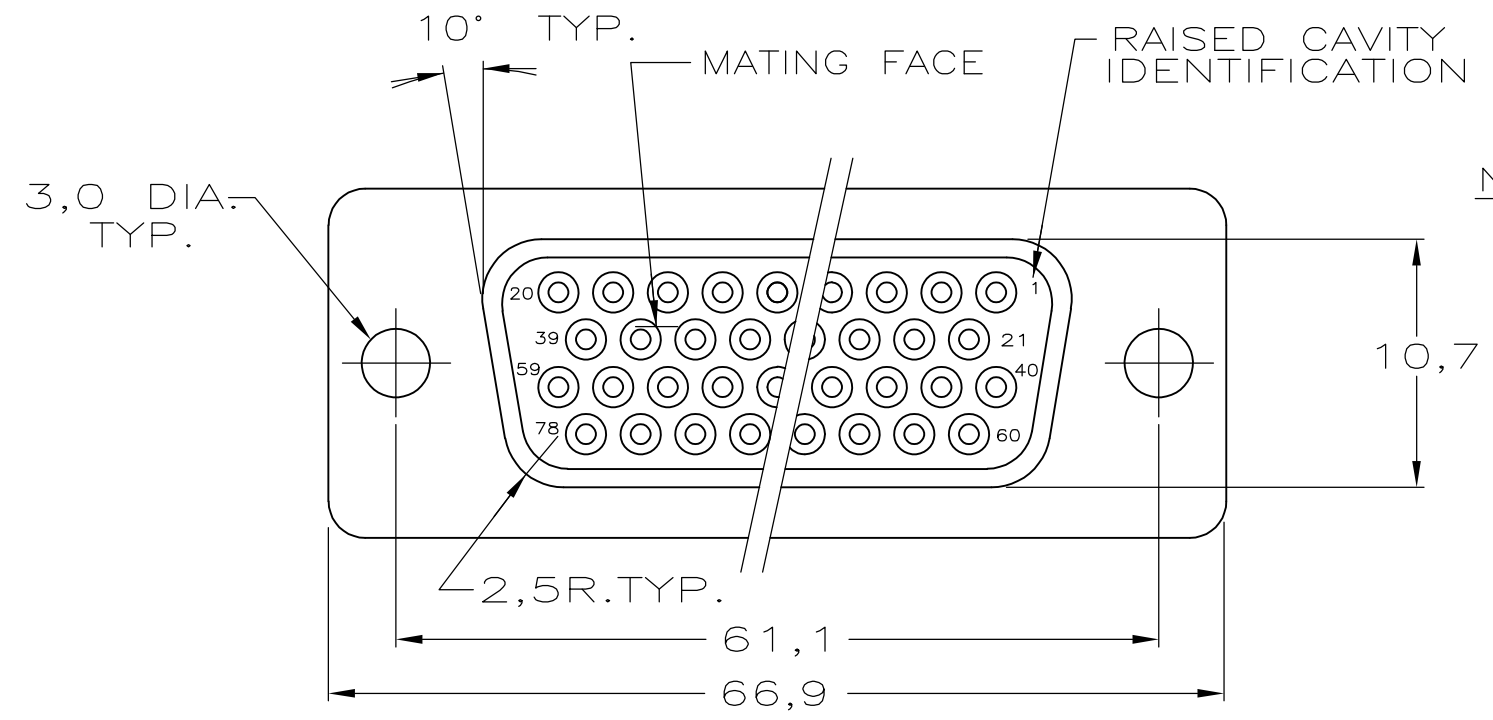
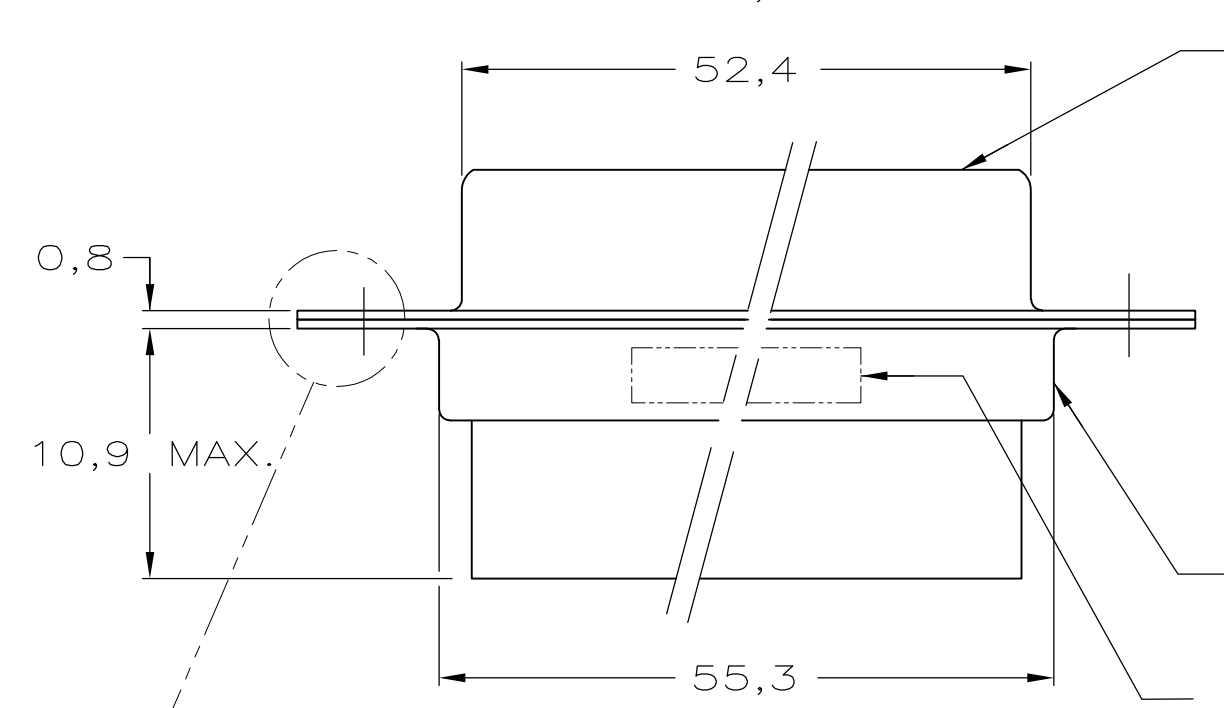


THIS DRAWING IS UNPUBLISHED. RELEASED FOR PUBLICATION
 © COPYRIGHT - By - ALL RIGHTS RESERVED.

LOC		DIST		REVISIONS			
P	LTR	DESCRIPTION		DATE	DWN	APVD	
	A	REVISED PER ECO-13-020294		13MAR2014	AP	DG	



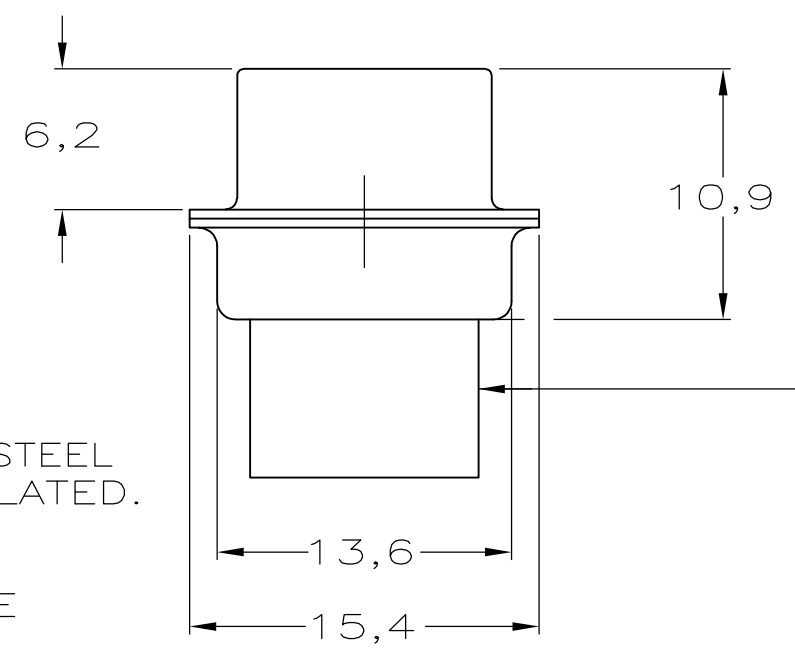
NOTES: 1 THIS RECEPTACLE ACCEPTS SIZE 22 REC. CONTACTS.
 2 RETENTION TINES ARE AN INTEGRAL PART OF INSERT.
 3 CONTACT INSERTION/REMOVAL TOOL TE P.N. 91285-1 IS RECOMMENDED FOR USE WITH THESE CONNECTORS:



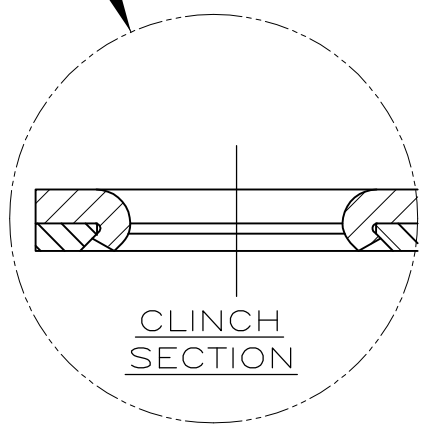
FRONT SHELL
STEEL, BRIGHT TIN PLATED.

REAR SHELL, STEEL
BRIGHT TIN PLATED.

AMP DATE CODE
AMP PARTNO.
INK STAMPED



INSERTS: NYLON
GLASS-FILLED
SELF-EXTINGUISHING
COLOR: BLACK



SEE DRAWING	SEE DRAWING	216168-1
FINISH	MATERIAL	PART NUMBER

THIS DRAWING IS A CONTROLLED DOCUMENT.		DWN	07DEC1988		STE TE Connectivity			
		CHK	-					
		APVD	-					
		PRODUCT SPEC	-					
DIMENSIONS: mm		TOLERANCES UNLESS OTHERWISE SPECIFIED:		NAME				
		0 PLC	± -	HDP-22 REC. CONNECTOR, SIZE 5, (78 POSITION)				
		1 PLC	± -					
		2 PLC	± -					
		3 PLC	± -					
		4 PLC	± -					
		ANGLES	± -	SIZE	CAGE CODE	DRAWING NO	RESTRICTED TO	
MATERIAL		FINISH		WEIGHT	A3 00779 C-216168		-	
				CUSTOMER DRAWING		SCALE	SHEET 1 OF 1	REV A

单击下面可查看定价，库存，交付和生命周期等信息

[>>TE Connectivity\(泰科\)](#)