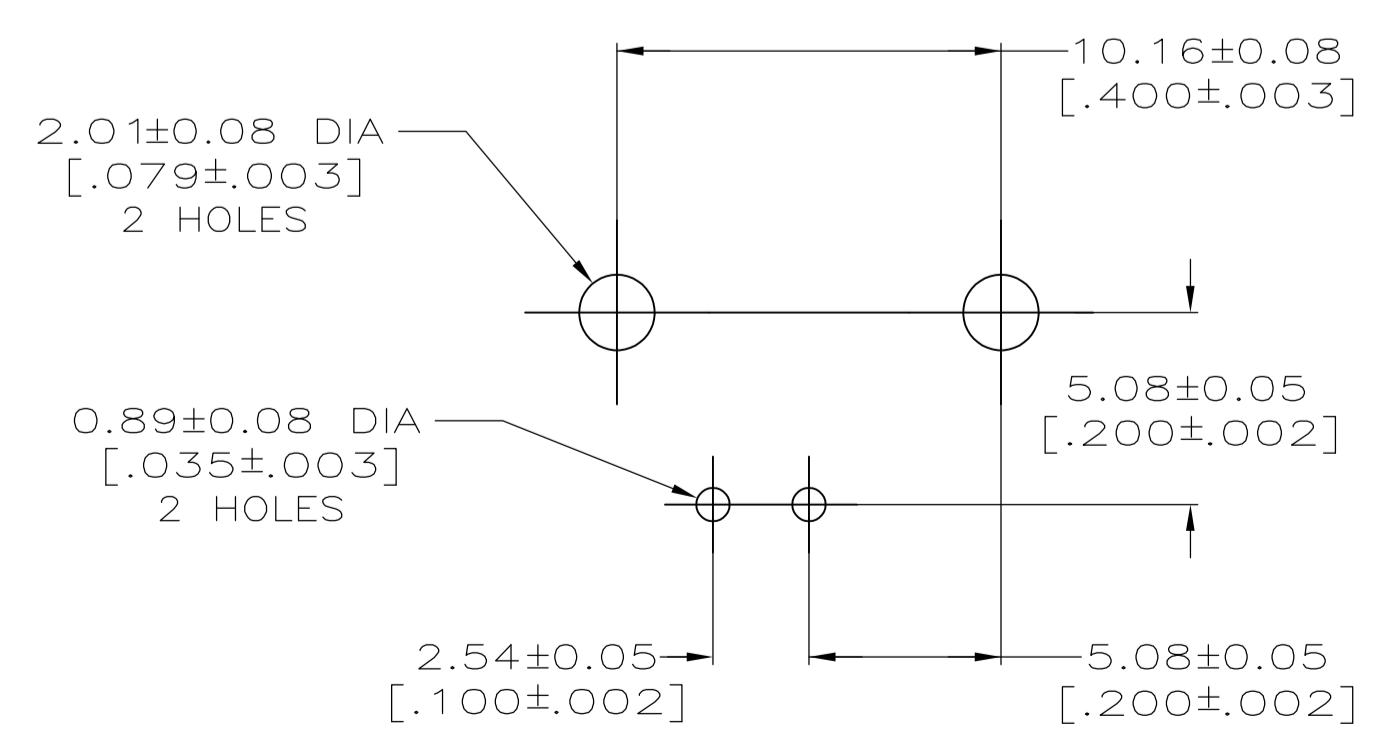
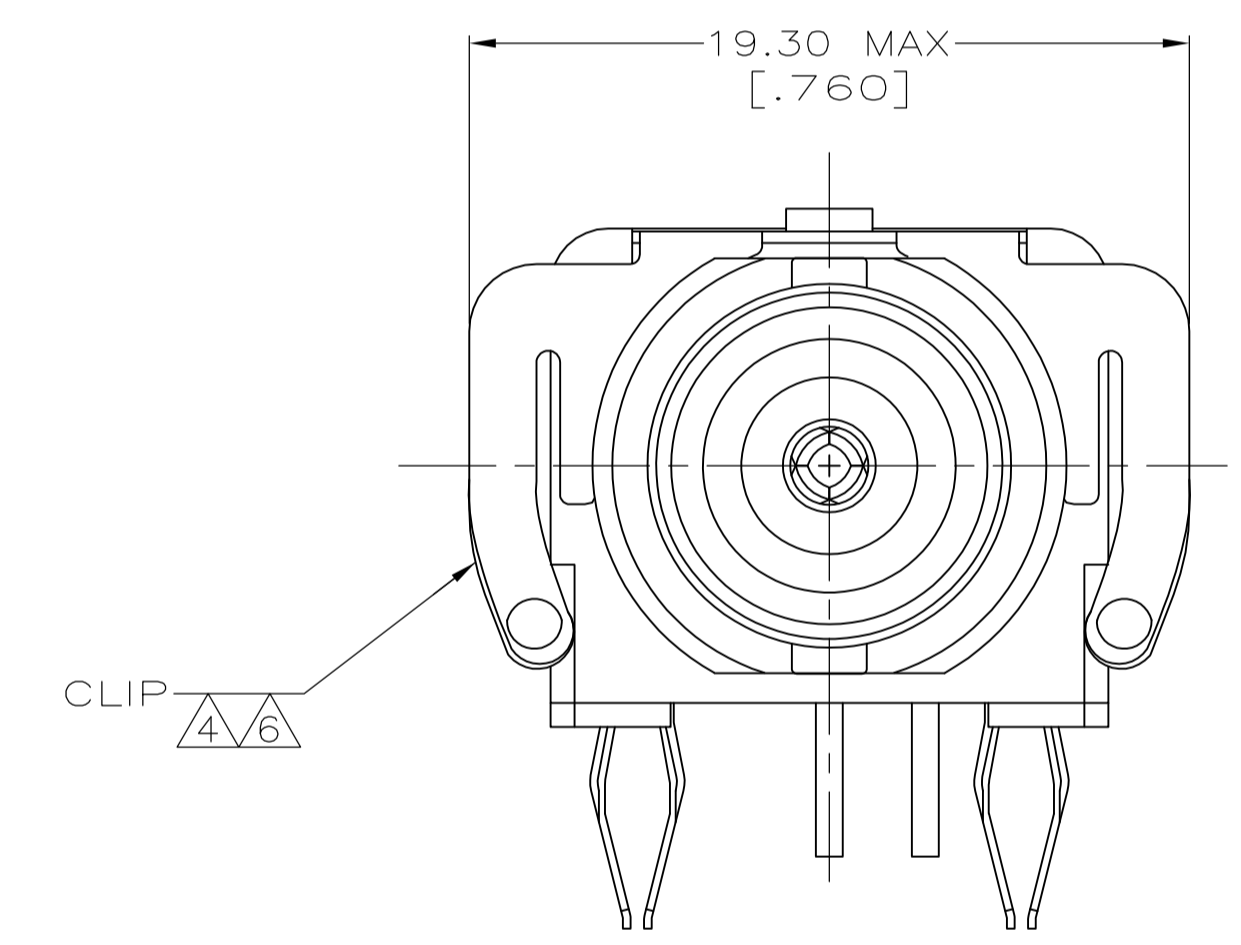
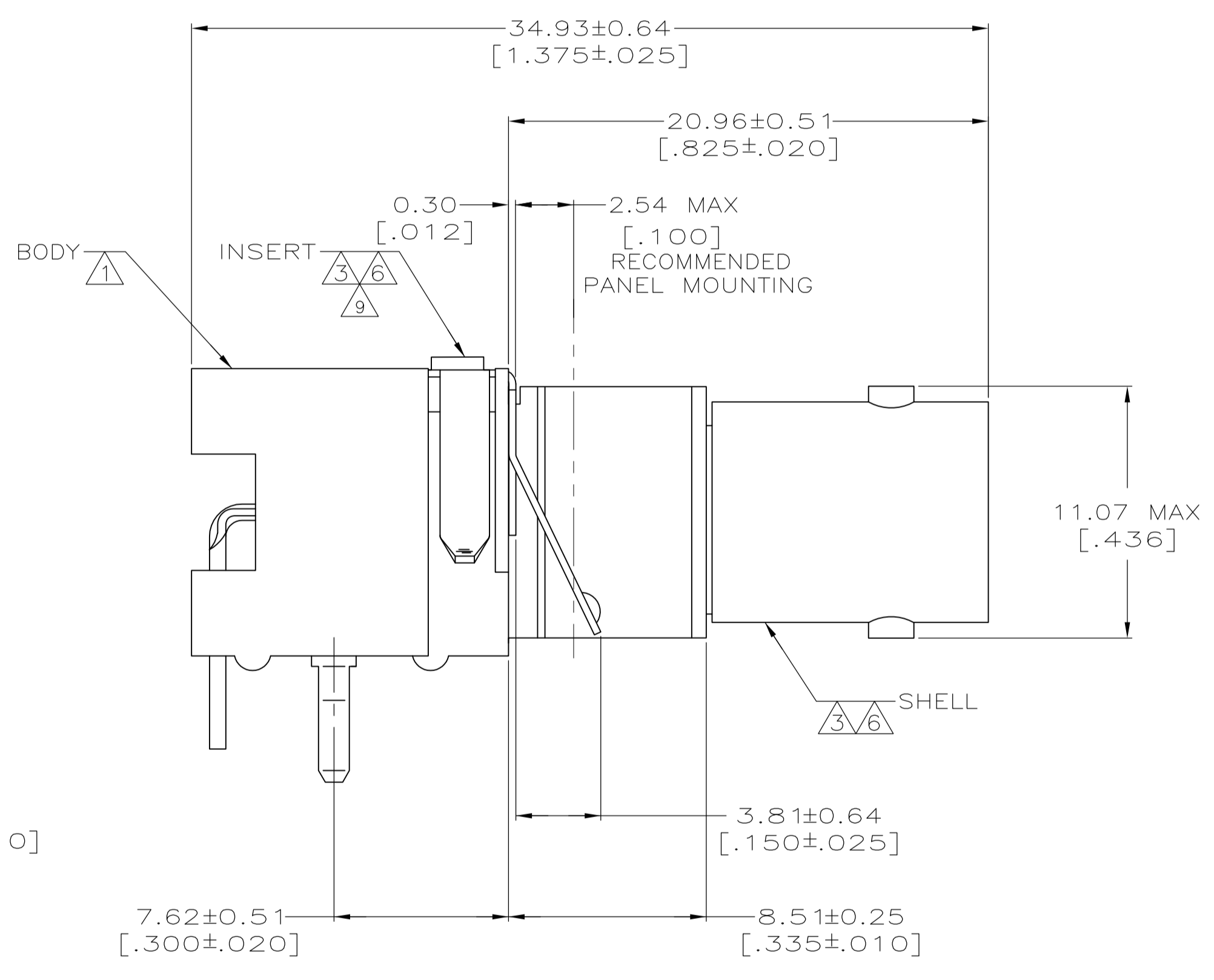
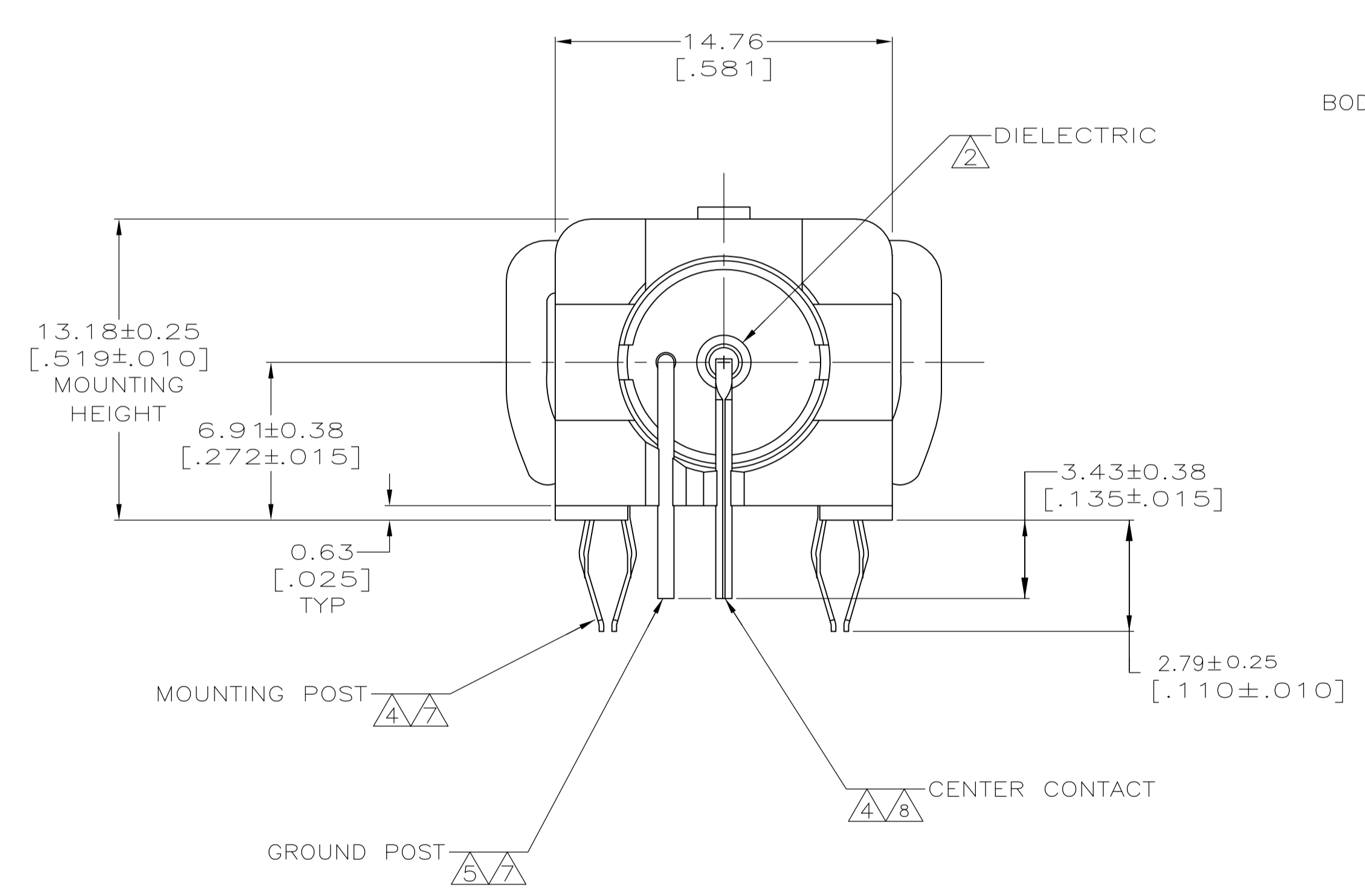
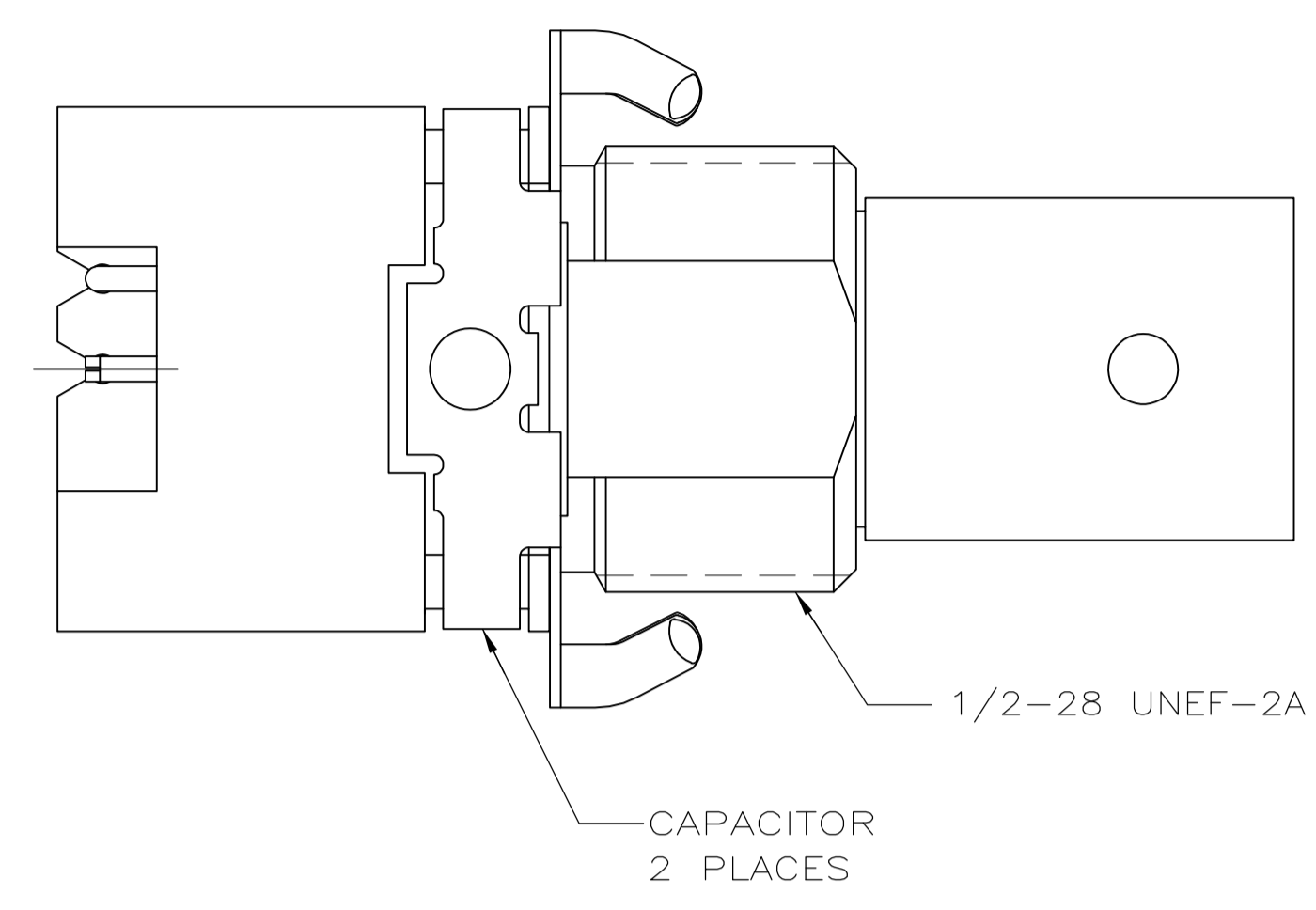
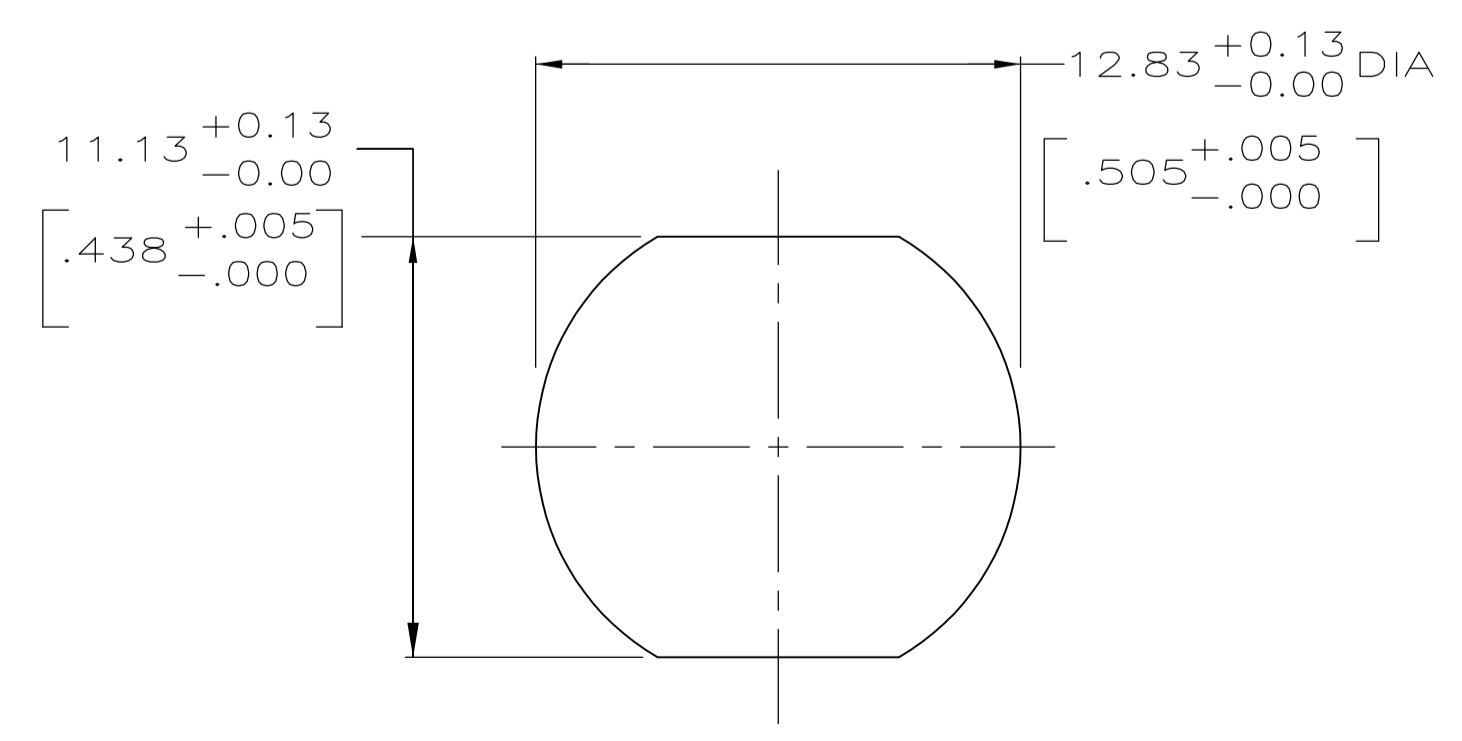


- ① POLYESTER, PBT, BLACK, PER MIL-M-24519.
- ② POLYMETHYLPENTENE GENERAL PURPOSE.
- ③ ZINC PER QQ-Z-363.
- ④ PHOSPHOR BRONZE PER QQ-B-750.
- ⑤ BRASS PER ASTM-B-453.
- ⑥ NICKEL PL PER QQ-N-290.
- ⑦ TIN PLATE PER ASTM-B-545
- ⑧ SELECTIVELY GOLD PLATED ON INTERFACE AREA PER MIL-G-45204, 0.76 [.000030] THK, TIN PLATE ON SOLDER TAIL PER ASTM-B-545, ALL OVER NICKEL PL PER QQ-N-290.
- ⑨ ESD DEVICE, VOLTAGE BREAKDOWN <3.5KVDC.



PCB CONFIGURATION



RECOMMENDED PANEL CUTOUT

7900 pf, 1500 VDC	5414651-3
CAPACITANCE & VOLTAGE	PART NUMBER

THIS DRAWING IS A CONTROLLED DOCUMENT.		DIN B. MCMASTER D9MAY05		Tyco Electronics Corporation	
DIMENSIONS: INCHES		CIK J. LIPPERT D9MAY05		Harrisburg, Pa 17105-3608	
TOLERANCES UNLESS OTHERWISE SPECIFIED:		APVD J. LIPPERT D9MAY05		NAME	
0 PLC ± -	1 PLC ± -	PRODUCT SPEC		JACK, DECOUPLER, PCB	
2 PLC ± 0.20 [.008]	3 PLC ± -	APPLICATION SPEC		RIGHT ANGLE, LOW PROFILE,	
4 PLC ± -	ANGLES ± -	SIZE		ESD PROTECTED, BNC	
MATERIAL SEE NOTES 1 - 5	FINISH SEE NOTES 6-8	WEIGHT		RESTRICTED TO	
RESTRICTED CUSTOMER		A1 00779 C=5414651		SCALE 5:1 SHEET 1 OF 1 REV A	

单击下面可查看定价，库存，交付和生命周期等信息

[>>TE Connectivity\(泰科\)](#)