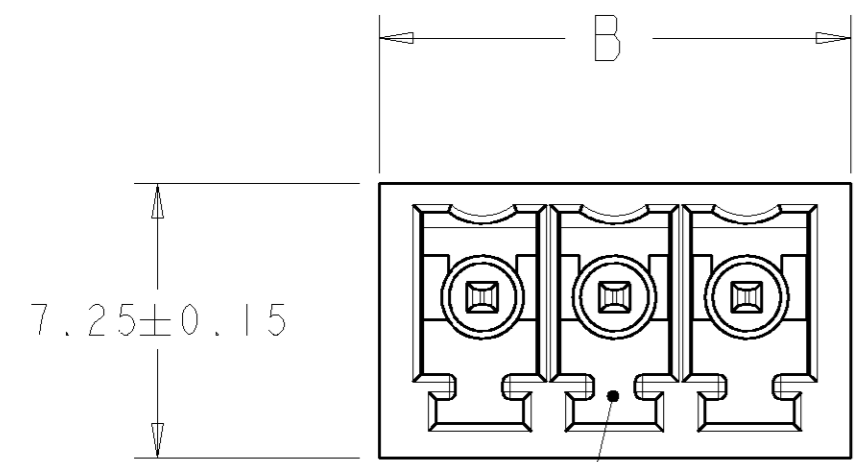
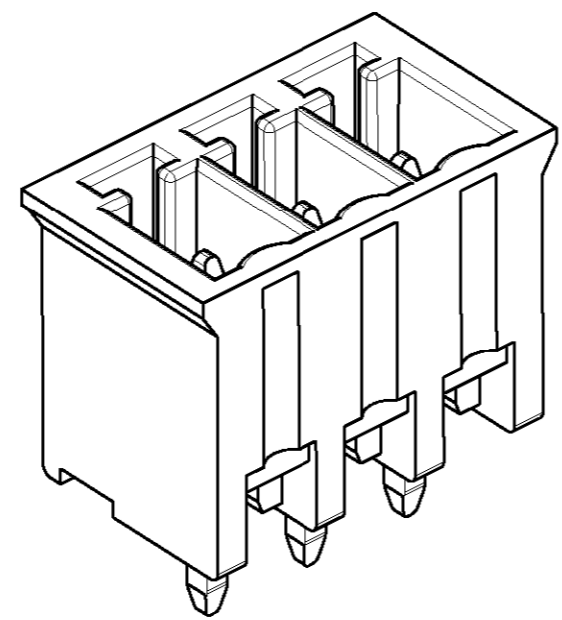


THIS DRAWING IS UNPUBLISHED. RELEASED FOR PUBLICATION 20  
 © COPYRIGHT 20 BY TYCO ELECTRONICS CORPORATION. ALL RIGHTS RESERVED.

LOC	DIST	REVISIONS					
FT	0	P	LTR	DESCRIPTION	DATE	DWN	APVD
		A		RELEASED	27NOV2000	-	-
		B		REVISED EC 0G3B-0401-04	02JUN2004	SW	CR
		C		REVISED EC 0G3B-0477-04	02JUN2004	SW	CR

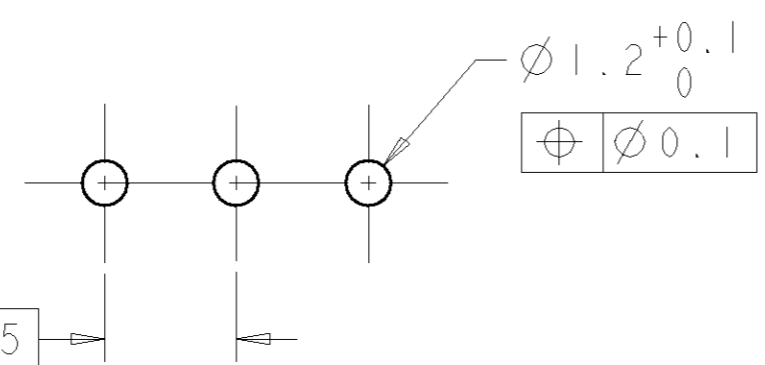
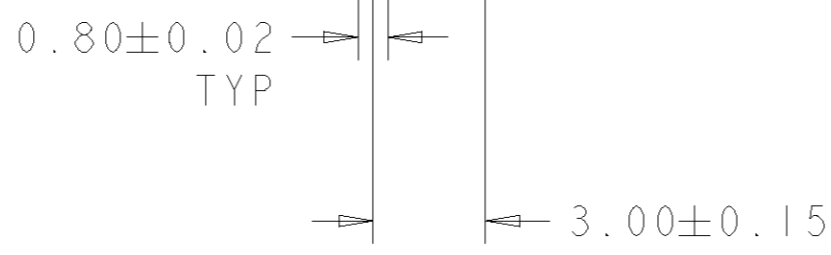
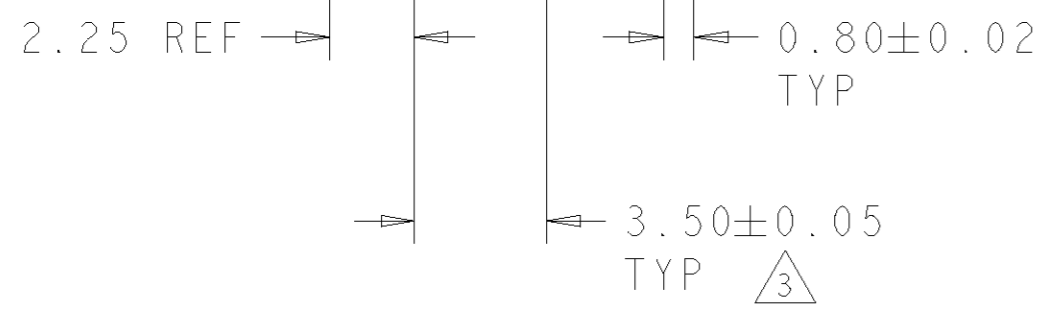
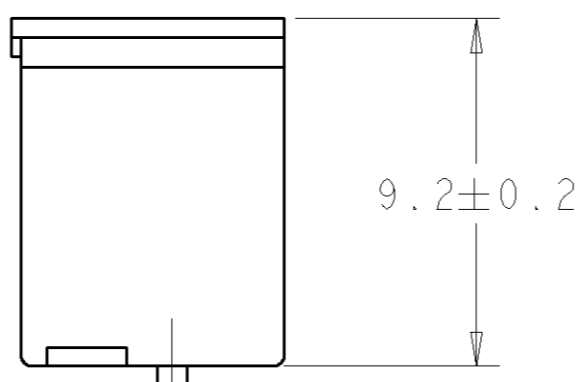
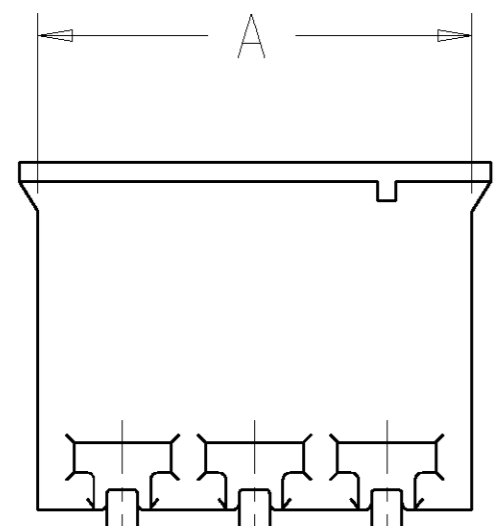


POLARIZATION KEY SLOT



796694-3 AS SHOWN

- 1. MATERIALS AND FINISH:  
 HOUSING : PA 6.6, UL 94-V0, COLOR: BLUE (RAL 5012)  
 TERMINAL : BRASS, TIN PLATED
- 2. RECOMMENDED PC BOARD THICKNESS 1.6-2.4 MM.
- 3. NOT CUMULATIVE TOLERANCE.



RECOMMENDED PC BOARD LAYOUT

89.5	88.5	25	2-796694-5
86.0	85.0	24	2-796694-4
82.5	81.5	23	2-796694-3
79.0	78.0	22	2-796694-2
75.5	74.5	21	2-796694-1
72.0	71.0	20	2-796694-0
68.5	67.5	19	1-796694-9
65.0	64.0	18	1-796694-8
61.5	60.5	17	1-796694-7
58.0	57.0	16	1-796694-6
54.5	53.5	15	1-796694-5
51.0	50.0	14	1-796694-4
47.5	46.5	13	1-796694-3
44.0	43.0	12	1-796694-2
40.5	39.5	11	1-796694-1
37.0	36.0	10	1-796694-0
33.5	32.5	9	796694-9
30.0	29.0	8	796694-8
26.5	25.5	7	796694-7
23.0	22.0	6	796694-6
19.5	18.5	5	796694-5
16.0	15.0	4	796694-4
12.5	11.5	3	796694-3
9.0	8.0	2	796694-2
B	A	NO. OF POSN	PART NUMBER

THIS DRAWING IS A CONTROLLED DOCUMENT FOR TYCO ELECTRONICS CORPORATION. IT IS SUBJECT TO CHANGE AND THE CONTROLLING ENGINEERING ORGANIZATION SHOULD BE CONTACTED FOR THE LATEST REVISION.		DWN S. WELDON 27NOV2000	Tyco Electronics Harrisburg, PA 17105-3608	
DIMENSIONS: mm		CHK D. BIEVENOUR 27NOV2000	NAME TERMI BLOK, HEADER ASSEMBLY, STRAIGHT, CLOSED ENDS, 3.5 mm PITCH	
TOLERANCES UNLESS OTHERWISE SPECIFIED: 0 PLC ± 1 PLC ±0.3 2 PLC ±0.25 3 PLC ±0.000 4 PLC ±0.0000 ANGLES ± FINISH -		APVD D. BIEVENOUR 27NOV2000	RESTRICTED TO	
MATERIAL -		PRODUCT SPEC -	SIZE A2	CAGE CODE 00779
		APPLICATION SPEC -	DRAWING NO 796694	REV C
		WEIGHT -	SCALE 5:1	SHEET 1 OF 1
		CUSTOMER DRAWING		

单击下面可查看定价，库存，交付和生命周期等信息

[>>TE Connectivity\(泰科\)](#)