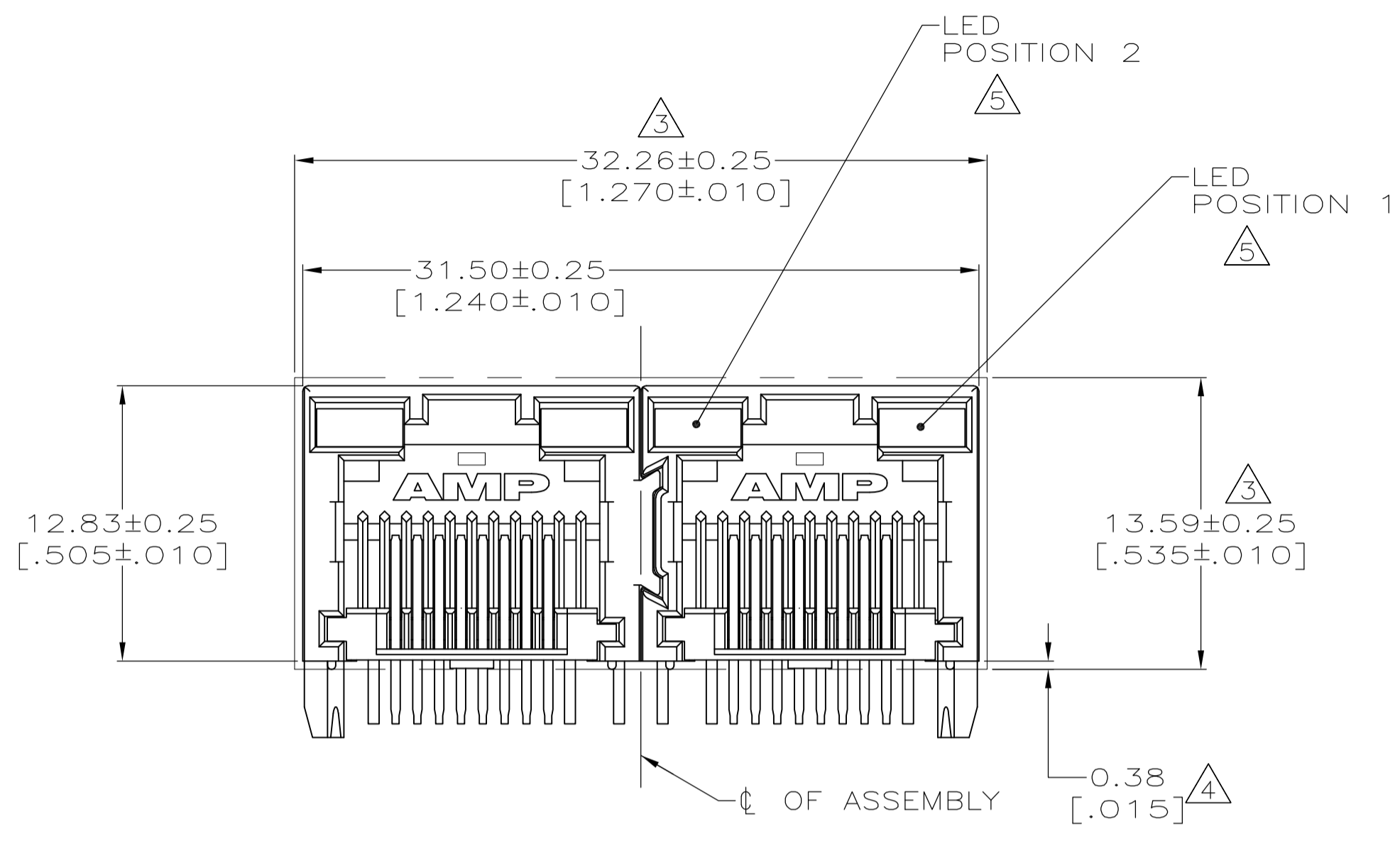
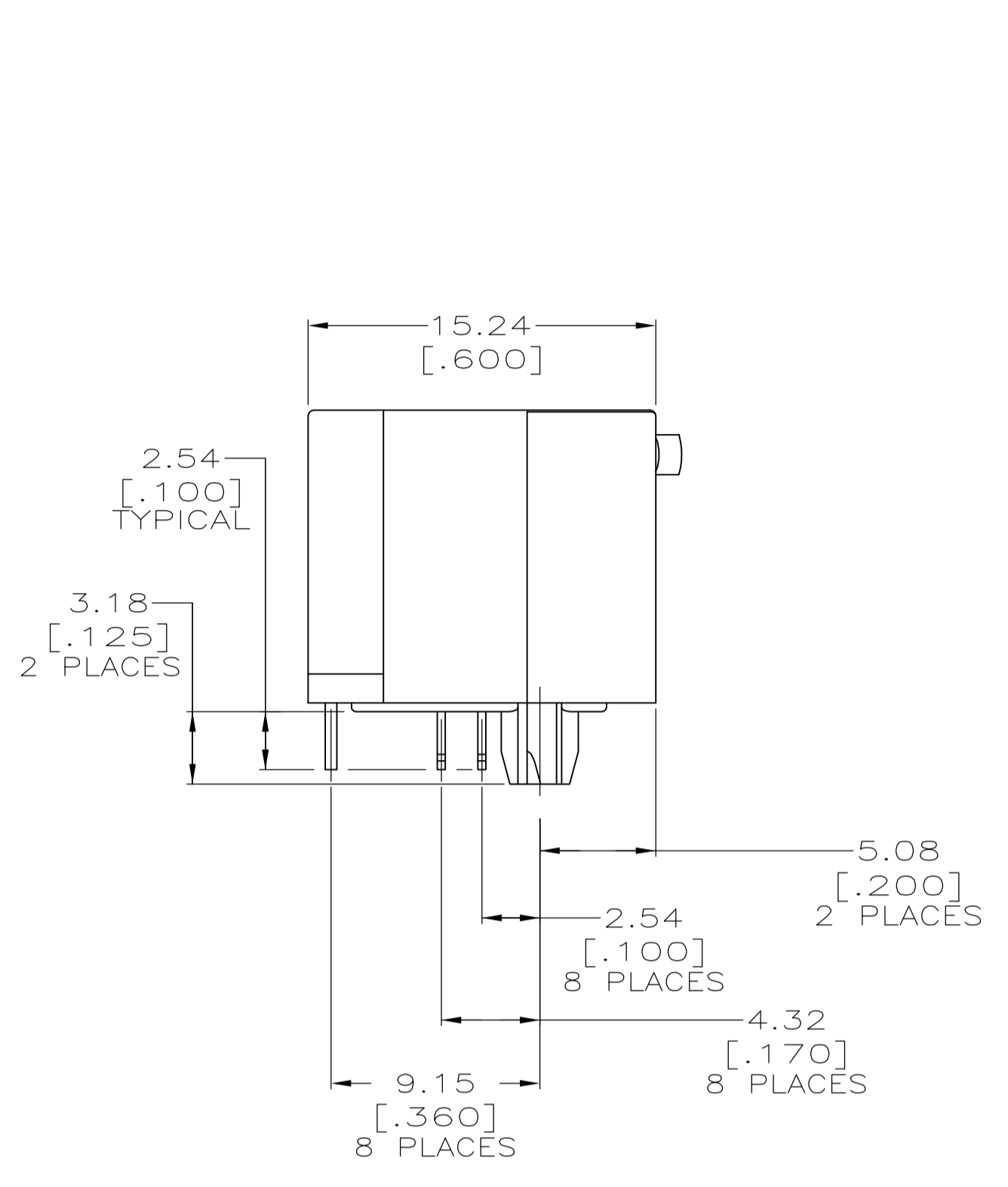
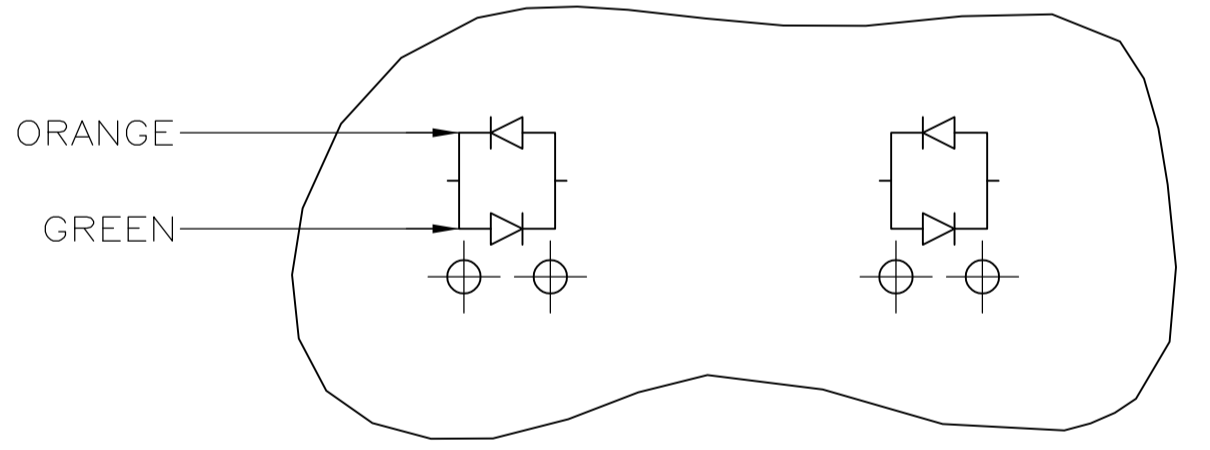


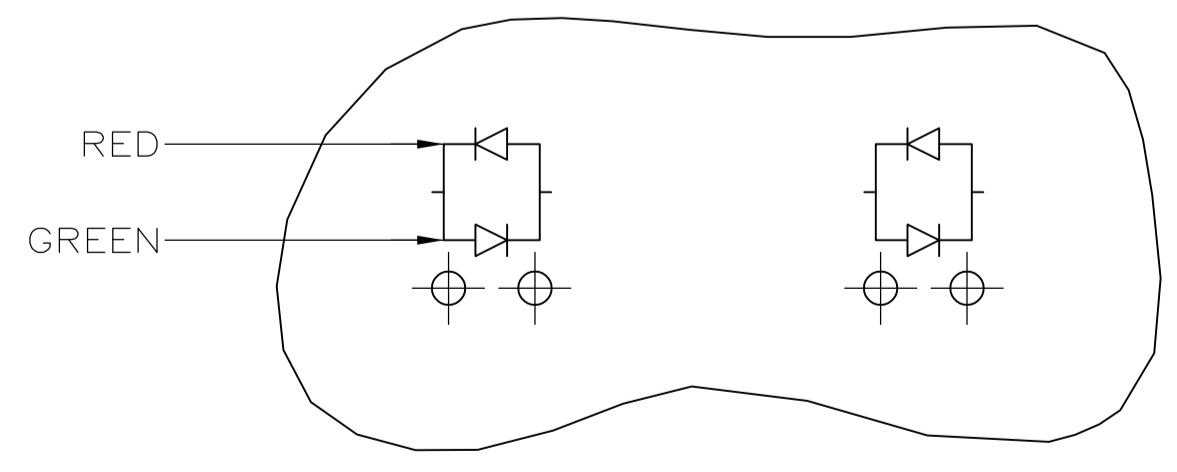
LOC		DIST		REVISIONS			
AA	22	REV	DESCRIPTION	DATE	DWN	APVD	
A		REV PER	EC 0S11-0201-04	13JUN2005	JA	SF	
A1		REVISED PER	ECO-09-024927	09NOV09	KK	AEG	



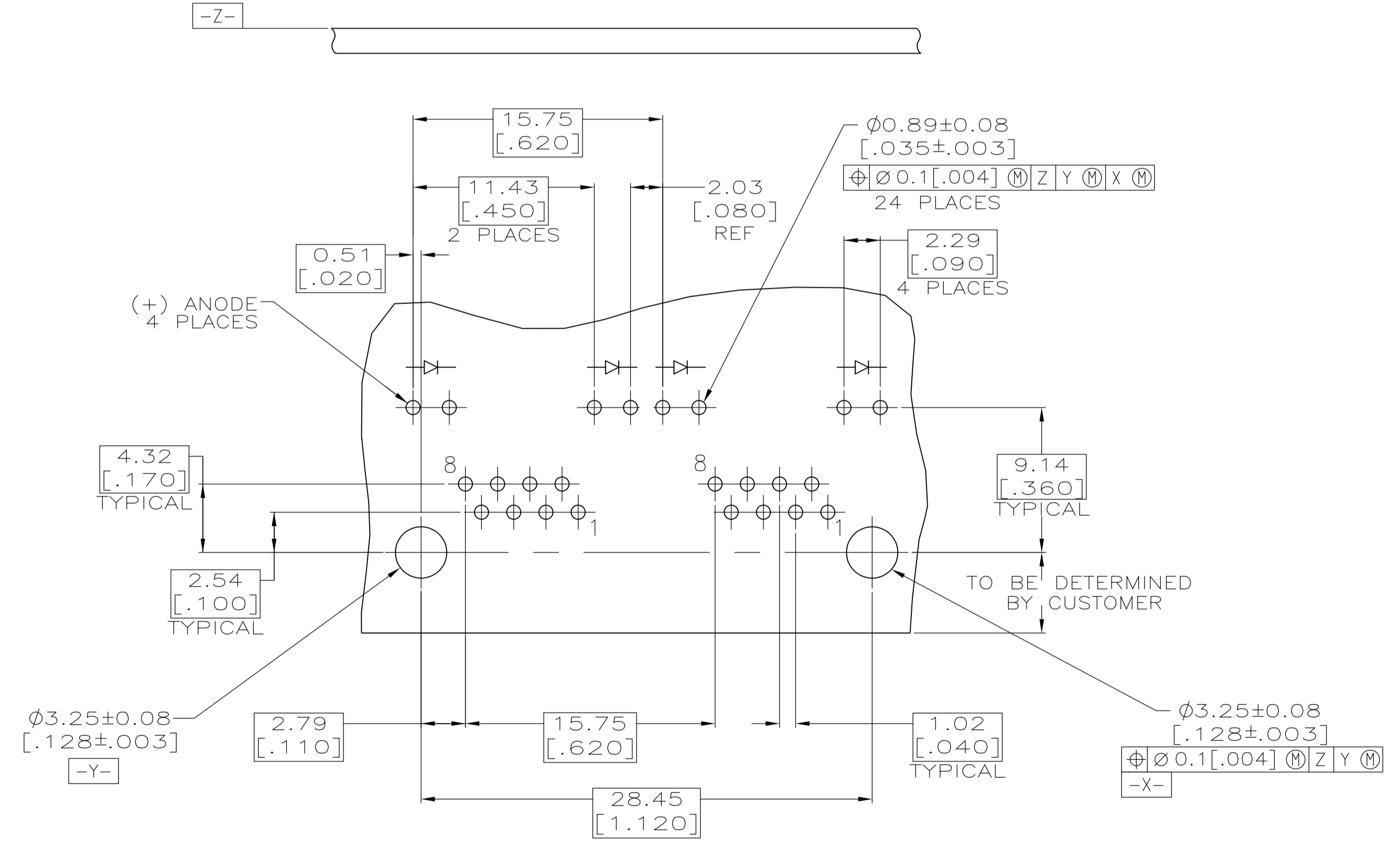
- △ MATERIAL:  
 HOUSING - HIGH TEMPERATURE THERMOPLASTIC, BLACK, UL94V-0.  
 TERMINALS - .36[.014] THICK PHOS BRONZE PLATED WITH 3.81µm[.000150] MINIMUM THICK MATTE TIN IN SOLDER AREA. 1.27µm [.000050] MINIMUM GOLD IN LOCALIZED PLATE AREA. ENTIRE TERMINAL PLATED WITH 1.27µm [.000050] MINIMUM THICK NICKEL.  
 LIGHT EMITTING DIODE (LED) - DIFFUSED EPOXY LENS, 0.51 x 0.51[.020 x .020] CARBON STEEL WIREFRAME LEADS PREPLATED WITH 8.89 µm[.0003500] THICK Sn/Cu OVER 2.03 µm[.000080] THICK Ag OVER 1.02µm[.000040] THICK Cu OVER 3.56 µm[.000140] THICK Ni OVER 1.02µm[.000040] Cu UNDERPLATE
2. JACK CAVITY CONFORMS TO FCC RULES AND REGULATIONS PART 68, SUBPART F.
- △ SUGGESTED PANEL OPENING DIMENSIONS.
- △ SUGGESTED CLEARANCE BETWEEN BOTTOM OF CONNECTOR AND BOTTOM PANEL OPENING.
- △ SEE TABLE FOR COLOR OF LEDS AND NUMBER REQUIRED.
6. THIS MODULAR JACK WITH INTEGRATED LED IS NOT IR REFLOW SOLDERING PROCESS COMPATIBLE.
- △ OBSOLETE PARTS: OBSOLETE CIS STREAMLINING PER D.RENAUD/D.SINISI



LED CURRENT DIAGRAM  
 △ OBSOLETE 5406534-7 ONLY



LED CURRENT DIAGRAM  
 △ OBSOLETE 2-5406534-4 ONLY



SUGGESTED PRINTED CIRCUIT BOARD LAYOUT  
 (COMPONENT SIDE)

OBSOLETE	INDICATOR COLOR FOR EACH HOUSING		PART NUMBER
	POSITION 2	POSITION 1	
△	GREEN/RED	GREEN/RED	-2-5406534-4-
	ORANGE/GREEN	ORANGE/GREEN	-5406534-7-
	YELLOW	YELLOW	-5406534-6-
	GREEN	GREEN	-5406534-5-
	YELLOW	-	-5406534-3-
	-	GREEN	5406534-2

THIS DRAWING IS A CONTROLLED DOCUMENT.

DIMENSIONS: mm [INCHES]	TOLERANCES UNLESS OTHERWISE SPECIFIED:	DRAWN: J. ALCORTA - DOCK 5	DATE: 13JUN2005	APVD: J. WESTMAN	DATE: 13JUN2005	NAME: S. FLICKINGER	PRODUCT SPEC: 108-1163-4	APPLICATION SPEC: 114-2154	WEIGHT: -	SCALE: 1:1	SHEET: 1 OF 1	REV: A1
-------------------------	--	----------------------------	-----------------	------------------	-----------------	---------------------	--------------------------	----------------------------	-----------	------------	---------------	---------

MATERIAL: △ FINISH: △

CUSTOMER DRAWING

Tyco Electronics Corporation  
 Harrisburg, Pa 17105-3608

INVERTED MODULAR JACK ASSEMBLY, 1X2, LED

SIZE: A1

RESTRICTED TO

单击下面可查看定价，库存，交付和生命周期等信息

[>>TE Connectivity\(泰科\)](#)