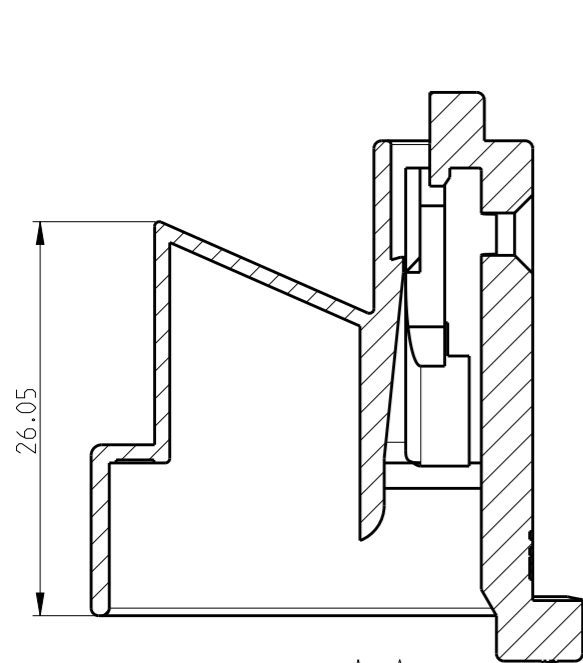
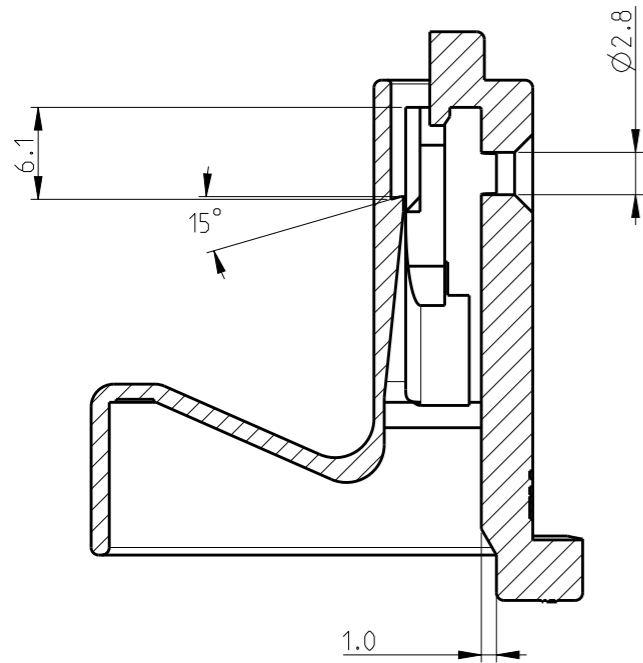
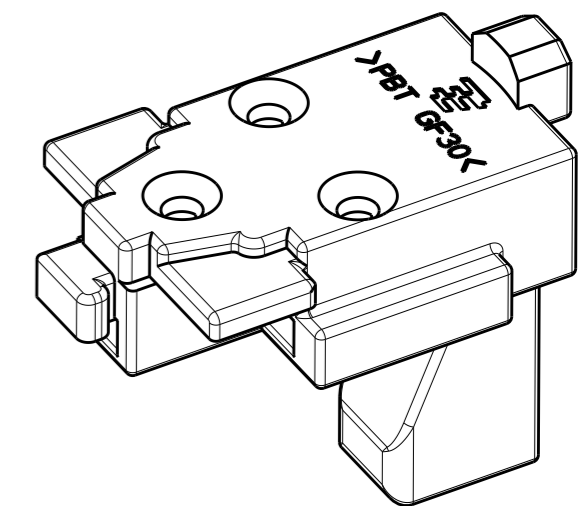
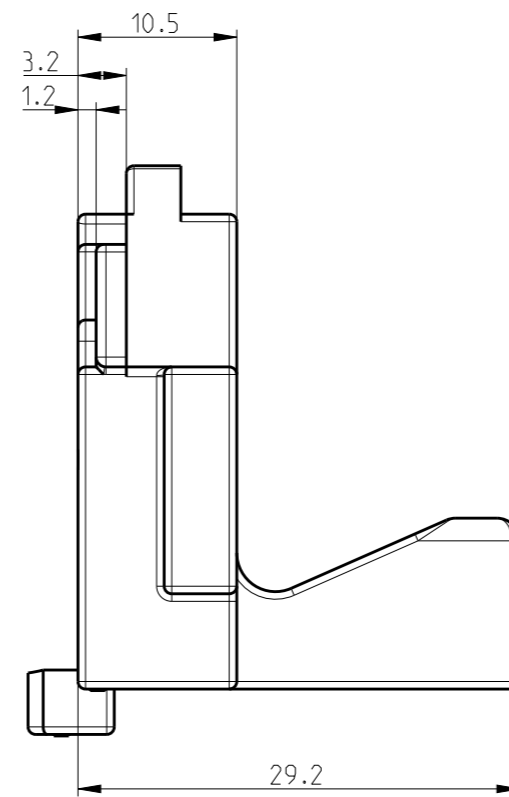
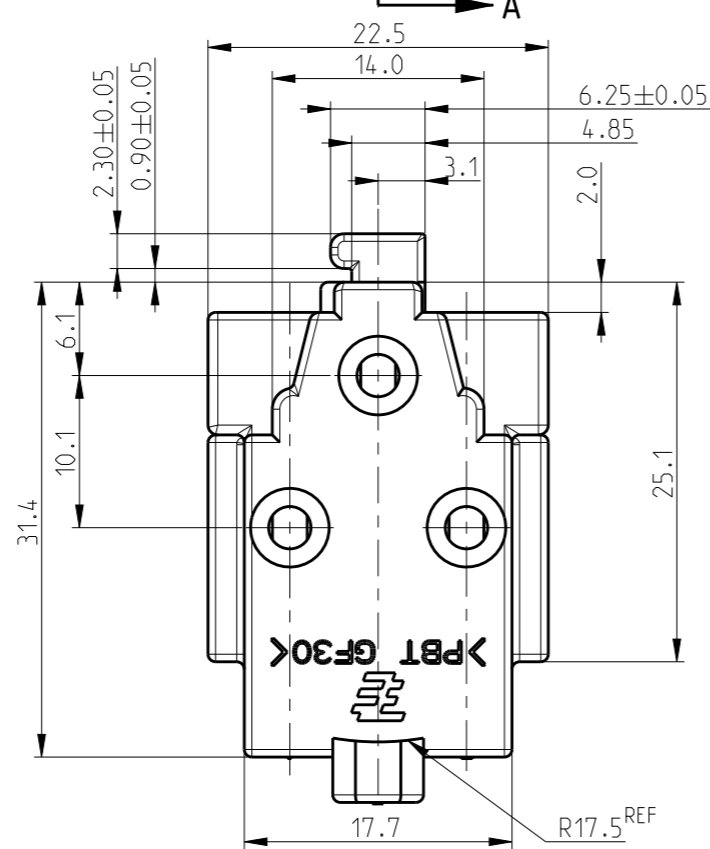
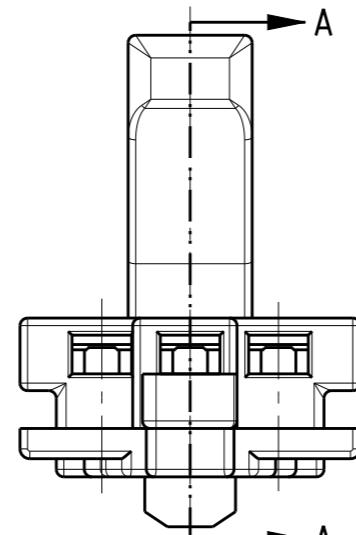


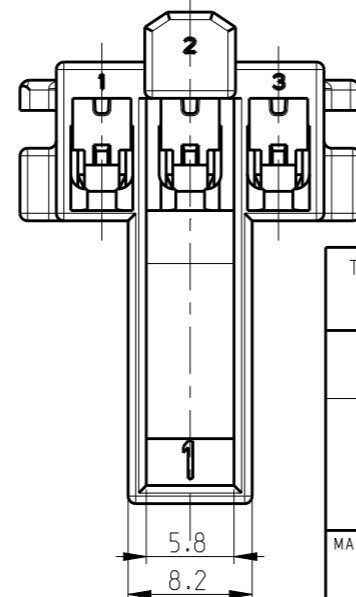
P	LTR	DESCRIPTION	DATE	DWN	APVD
	F2	NEW PN 3-2005820-9 RELEASE	03MAR2020	SE	PKS



SECTION A-A  
1-2005820-1 ONLY



SECTION A-A



NOTES:  
1. GENERAL TOLERANCE: ±0.2, ±2°

② MATERIAL: PBT GF30, UL94V-0

③ MATERIAL: PBT GF30, UL94V-0, GW T

COLOR	MATERIAL	DESCRIPTION	P/N
BLACK	③	CLUSTER BLOCK 3P HSG WITH TPA (GW T)	3-2005820-9
		CLUSTER BLOCK 3P CLIP HSG WITH TPA (GW T)	2-2005820-9
GRAY	②	CLUSTER BLOCK 3P CLIP HSG	1-2005820-1 2005820-1

THIS DRAWING IS A CONTROLLED DOCUMENT.

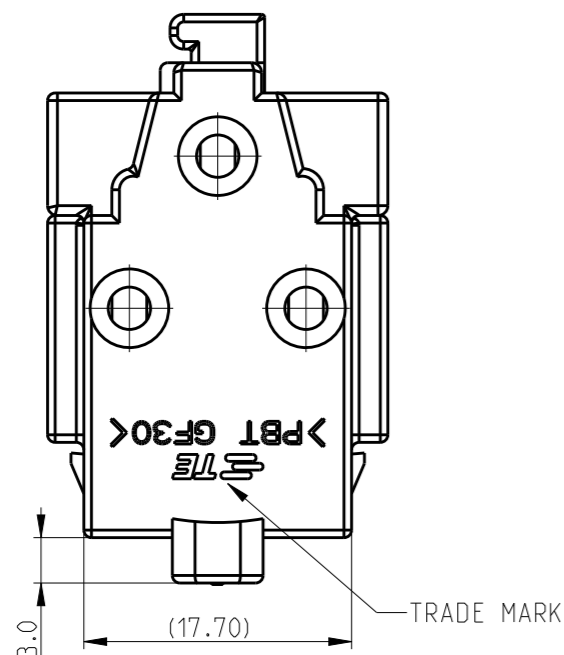
DIMENSIONS: mm		TOLERANCES UNLESS OTHERWISE SPECIFIED:	
		0 PLC	±
		1 PLC	±
		2 PLC	±
		3 PLC	±
		4 PLC	±
MATERIAL SEE NOTE		ANGLES	±
		FINISH	±

DWN	SE JUNG
CHK	BH CHO
APVD	BW KANG
PRODUCT SPEC	108-61156
APPLICATION SPEC	114-5235
WEIGHT	
CUSTOMER DRAWING	

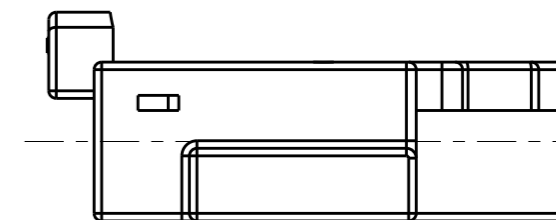
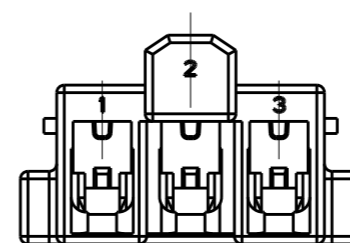
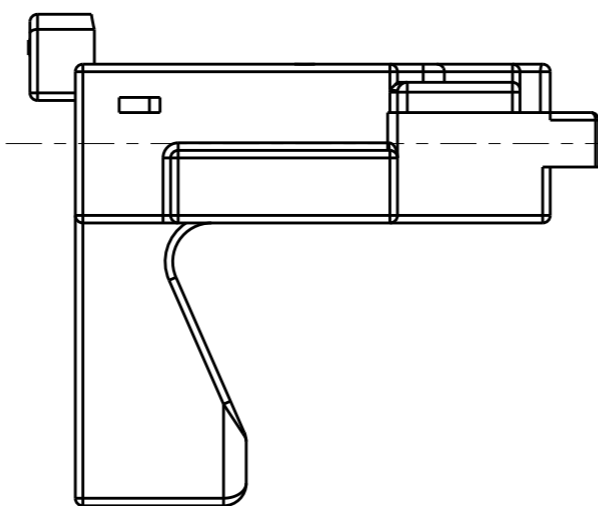
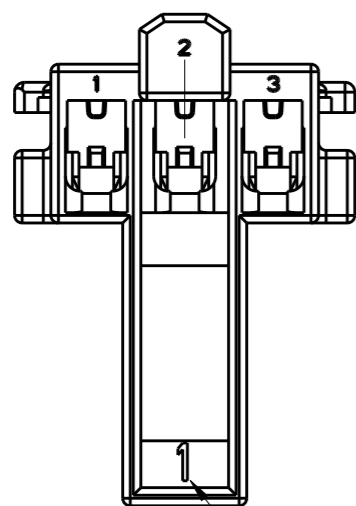
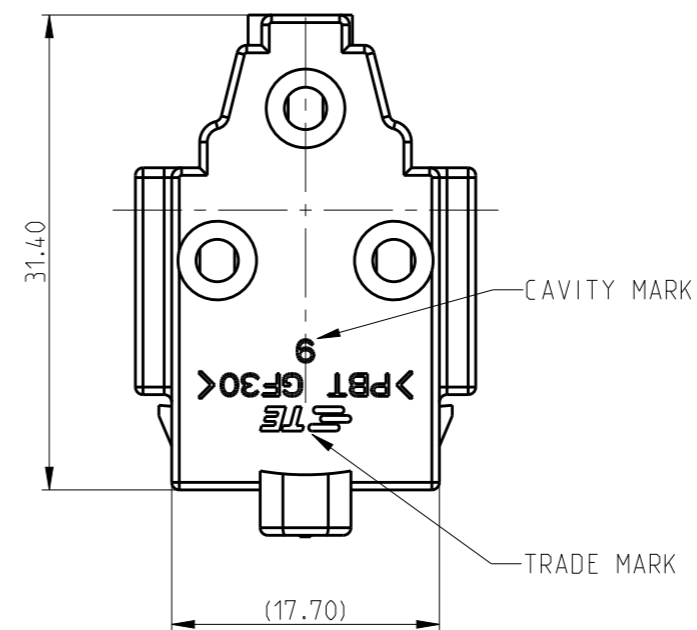
NAME CLUSTER BLOCK 3P CLIP HSG			
SIZE	CAGE CODE	DRAWING NO	RESTRICTED TO
A3	00779	©-2005820	
SCALE 1:1		SHEET 1 OF 3	REV F2

P	LTR	DESCRIPTION	DATE	DWN	APVD
-		SEE SHEET 1	-	-	-

2-2005820-9 ONLY



3-2005820-9 ONLY



THIS DRAWING IS A CONTROLLED DOCUMENT.

DIMENSIONS:	
mm	

TOLERANCES UNLESS OTHERWISE SPECIFIED:	
0 PLC	±
1 PLC	±
2 PLC	±
3 PLC	±
4 PLC	±
ANGLES	±
FINISH	

MATERIAL  
SEE NOTE

DWN  
SE JUNG  
CHK  
BH CHO  
APVD  
BW KANG  
PRODUCT SPEC  
108-61156  
APPLICATION SPEC  
114-5235  
WEIGHT

**TE** TE Connectivity

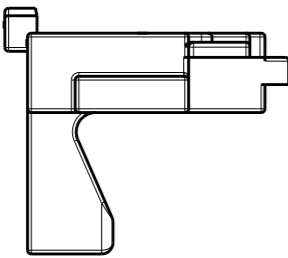
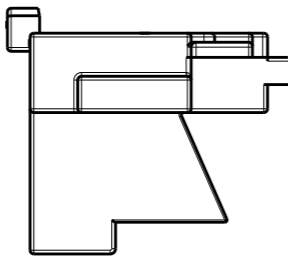
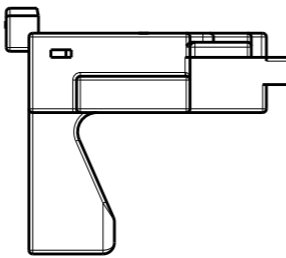
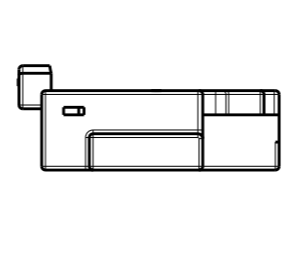
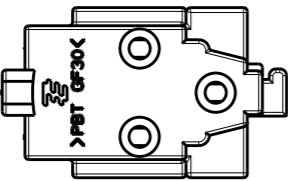
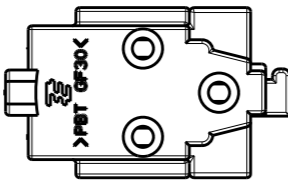
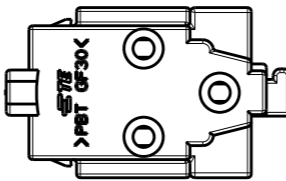
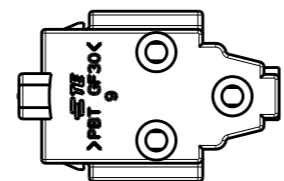
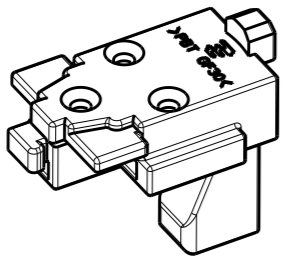
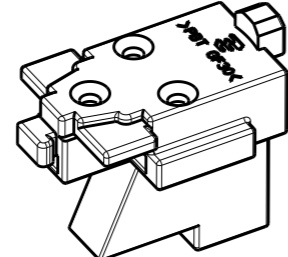
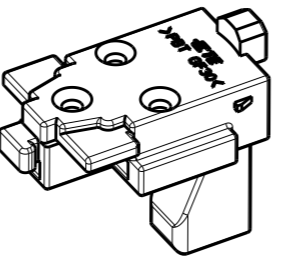
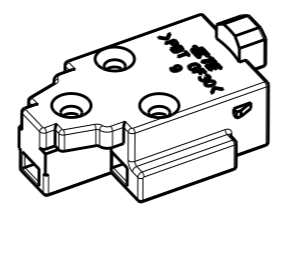
NAME  
CLUSTER BLOCK 3P CLIP HSG


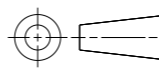
SIZE	CAGE CODE	DRAWING NO	RESTRICTED TO
A3	00779	C=2005820	

CUSTOMER DRAWING SCALE 1:1 SHEET 2 OF 3 REV F2

P	LTR	DESCRIPTION	DATE	DWN	APVD
	-	SEE SHEET 1	-	-	-

# CODING TABLE

NAME P/N	STANDARD TYPE 2005820-1	BOSS TYPE 1-2005820-1	TPA TYPE 2-2005820-9	NO GRIP TYPE 3-2005820-9
VIEW				
				
				

THIS DRAWING IS A CONTROLLED DOCUMENT.		DWN SE JUNG	 TE Connectivity	
DIMENSIONS: mm		CHK BH CHO		
		APVD BW KANG	NAME CLUSTER BLOCK 3P CLIP HSG	
		PRODUCT SPEC 108-61156	SIZE A3	CAGE CODE 00779
MATERIAL SEE NOTE		APPLICATION SPEC 114-5235	RESTRICTED TO	
		WEIGHT		
		CUSTOMER DRAWING	SCALE 2:1	SHEET 3 OF 3
			REV F2	

单击下面可查看定价，库存，交付和生命周期等信息

[>>TE Connectivity\(泰科\)](#)