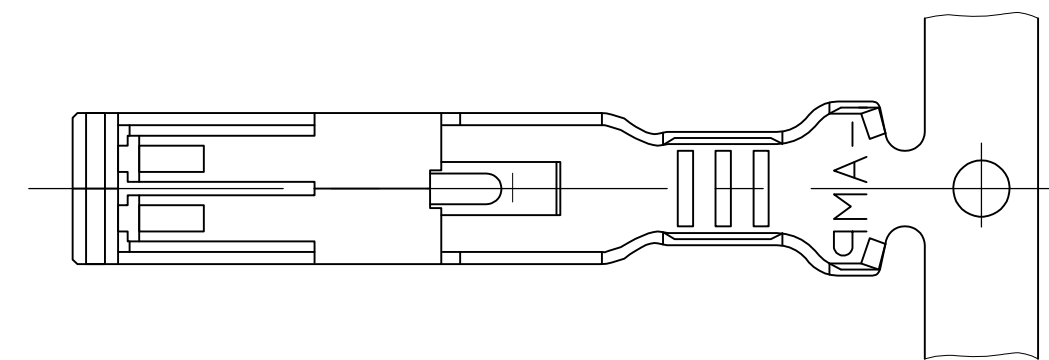
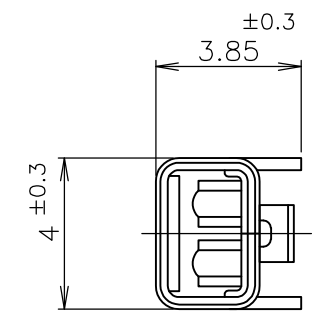
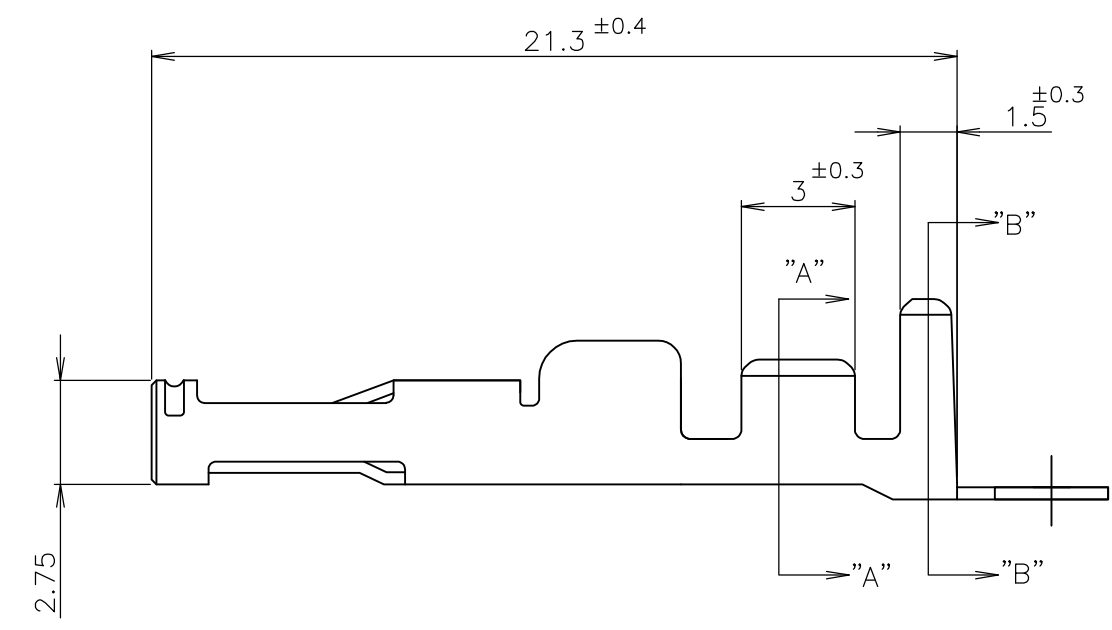
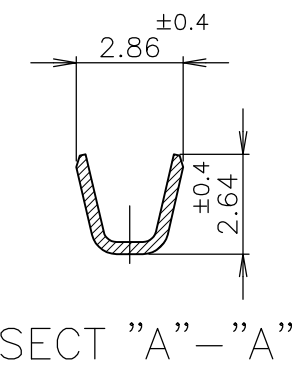


THIS DRAWING IS UNPUBLISHED. RELEASED FOR PUBLICATION
 © COPYRIGHT By - ALL RIGHTS RESERVED.

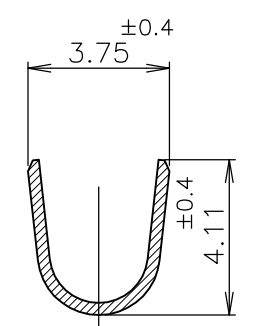
LOC	DIST	REVISIONS 変更					
J		P	LTR	DESCRIPTION	DATE	DWN	APVD
			B1	REVISED PER ECO-11-005030	11MAR11	RK	HMR



- 注記;
- ① 材料: 銅合金
 - ② 仕上げ: 材料めっき
全面ニッケル下地めっきの上に
接触部: 金めっき
圧着部: 半田めっき
 - ③ 仕上げ: 全面錫めっき
 - ④ 仕上げ: 材料めっき
全面ニッケル下地めっきの上に
接触部: 金めっき
圧着部: 錫めっき
 - 5. 使用コネクタ型番: X-179323-X, X-179312-X
 - ⑥ 一般公差
10以下: ±0.2
10を越え30以下: ±0.25
30を越え100以下: ±0.3
角度: ±3°



- NOTES;
- ① MATERIAL: COPPER ALLOY.
 - ② FINISH: PRE-PLATED
NICKEL PL ALL OVER
CONTACT AREA: GOLD PL.
BARREL AREA: TIN-LEAD PL.
 - ③ FINISH: TIN PL ALL OVER.
 - ④ FINISH: PRE-PLATED
NICKEL PL ALL OVER
CONTACT AREA: GOLD PL.
BARREL AREA: TIN PL.
 - 5. USED CONNECTOR P/N: X-179323-X, X-179312-X
 - ⑥ GENERAL TOLERANCE
10 ≥ : ±0.2
30 ≥ >10: ±0.25
100 ≥ >30: ±0.3
ANGLES: ±3°



④	179316-4
③	1-179316-2
②	179316-2
仕上 FINISH	P/N

WIRE RANGE 総合電線断面積	0.5~1.25mm ² (AWG16~20)	INSULATION DIA 被覆外径	φ 1.6~2.8 mm
-----------------------	------------------------------------	------------------------	--------------

THIS DRAWING IS A CONTROLLED DOCUMENT.		DWN K.IINO	28OCT98	STE TE Connectivity											
DIMENSIONS: 単位: 耗 mm		CHK J.TANIGAWA	28OCT98												
TOLERANCES UNLESS OTHERWISE SPECIFIED: 一般公差		APVD S.KUBOUCHI	28OCT98												
<table border="1"> <tr><td>0 PLC</td><td>±</td></tr> <tr><td>1 PLC</td><td>±</td></tr> <tr><td>2 PLC</td><td>±</td></tr> <tr><td>3 PLC</td><td>±</td></tr> <tr><td>4 PLC</td><td>±</td></tr> <tr><td>ANGLES</td><td>±</td></tr> </table>		0 PLC	±		1 PLC	±	2 PLC	±	3 PLC	±	4 PLC	±	ANGLES	±	NAME 名称
0 PLC	±														
1 PLC	±														
2 PLC	±														
3 PLC	±														
4 PLC	±														
ANGLES	±														
MATERIAL 材料		PRODUCT SPEC 製品規格		RECEPTACLE CONTACT HYBRID MINI DRAWER CONNECTOR											
FINISH 仕上		APPLICATION SPEC 取付適用規格	114-5182	SIZE A3											
①		WEIGHT		CAGE CODE 00779											
② ③ ④		CUSTOMER DRAWING		DRAWING NO C-179316											
		SCALE 尺度 NTS		SHEET 1 OF 1											
				RESTRICTED TO —											
				REV B1											

单击下面可查看定价，库存，交付和生命周期等信息

[>>TE Connectivity\(泰科\)](#)