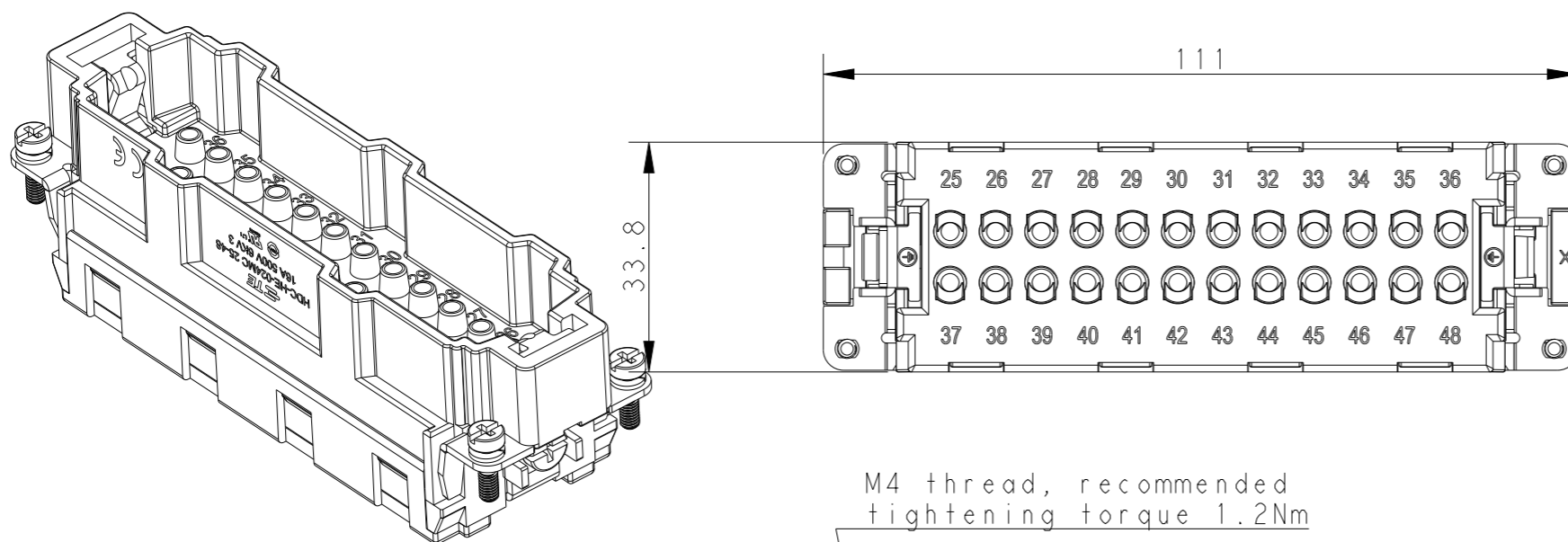


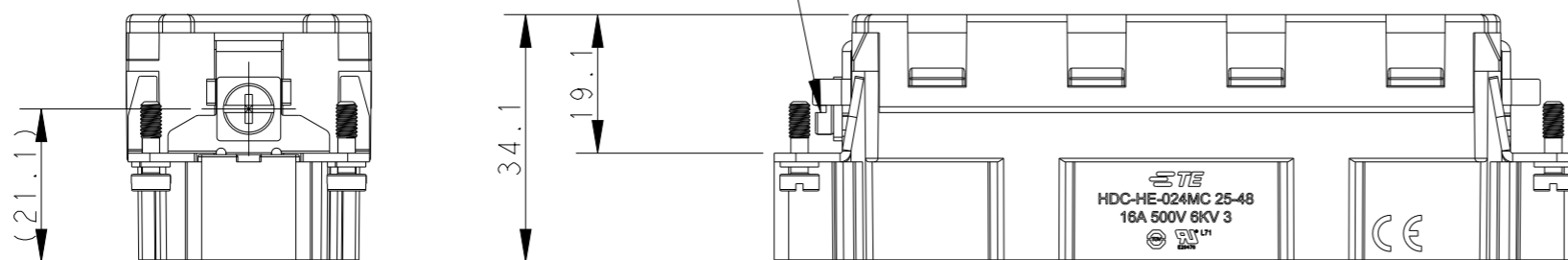
THIS DRAWING IS UNPUBLISHED. RELEASED FOR PUBLICATION 20
 © COPYRIGHT 20 BY - ALL RIGHTS RESERVED.

REVISIONS

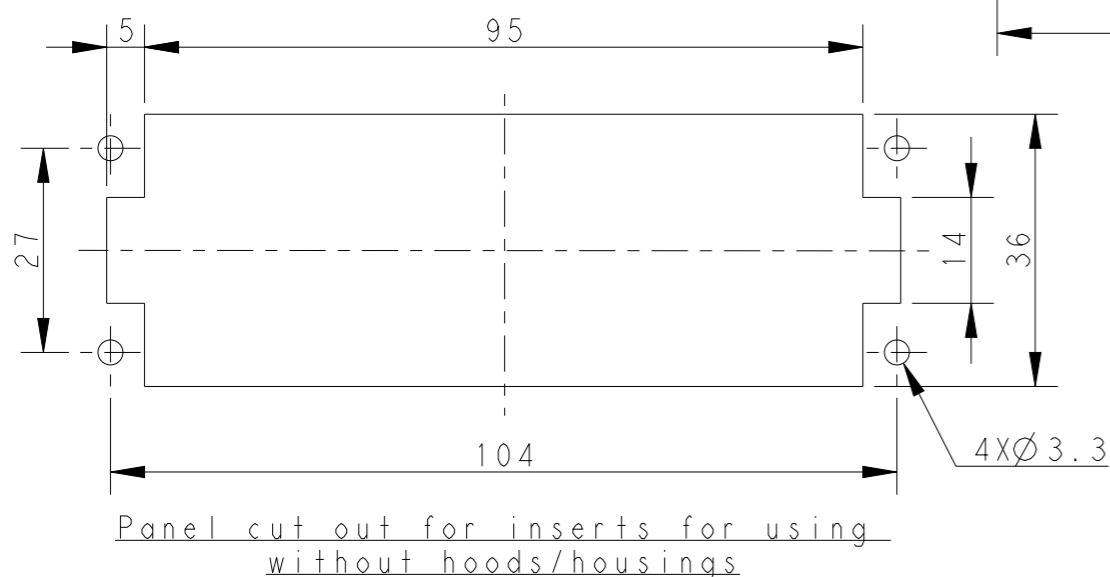
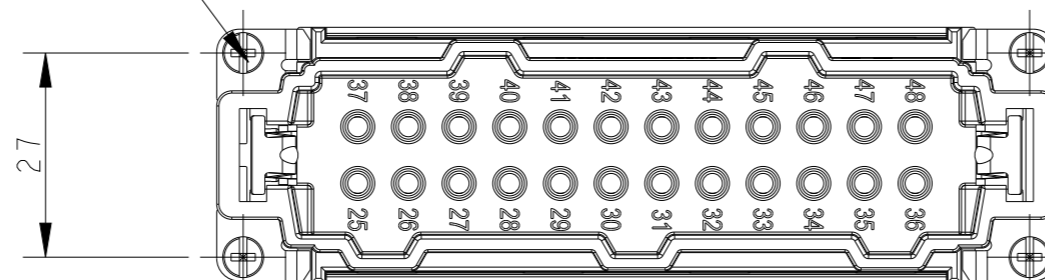
| P | LTR | DESCRIPTION | DATE | DWN | APVD |
|---|-----|---------------|-----------|-----|------|
| A | | INITIAL | 07Jan2015 | GY | CW |
| B | | ECR-15-013759 | 130c+2015 | DW | CW |
| C | | ECR-21-106515 | 21JUL2021 | SQ | CW |



M4 thread, recommended tightening torque 1.2Nm



4 X M3 thread, recommended tightening torque 0.5Nm



NOTES:

- TECHNICAL CHARACTERISTICS:
 INSULATION MATERIAL: PC
 RATED VOLTAGE: 500V
 RATED CURRENT: 16A
 INSULATION RESISTANCE: >=400MΩ
 RATED IMPULSE VOLTAGE: 6KV
 POLLUTION DEGREE: 3
 FLAMMABILITY: UL94V-0
 MATING CYCLES: 500 CYCLES
 OPERATION TEMPERATURE: -40°C~+125°C
 WIRE RANGE: 0.14mm²~4mm² (AWG26-AWG12)
 CONTACT TYPE: CRIMP CONTACT
- CONTACTS NEED TO BE ORDERED SEPARATELY.
 (ORDER No. REFER TO DRAWING:T20300X10XX000)

注释:

- 技术参数:
 绝缘材料: PC
 额定电压: 500V
 额定电流: 16A
 绝缘电阻: >=400MΩ
 脉冲电压: 6KV
 污染等级: 3
 阻燃等级: UL94V-0
 插拔次数: 500次
 工作温度: -40°C~+125°C
 接线范围: 0.14mm²~4mm² (AWG26-AWG12)
 接线类型: 冷压接
- 端子需要单独订购。
 (订货号参考图面: T20300X10XX000)

| | |
|-----------------|-----------------|
| HE-024-MC 25-48 | T2040484101-000 |
| DESCRIPTION | PART NUMBER |

| | | | | | | |
|---|--|------------------|------------|-----------|--|----------------|
| THIS DRAWING IS A CONTROLLED DOCUMENT. | | DWN | Gino.Yao | 05Jan2015 | TE Connectivity NAME HE-024-MC 25-48 | |
| DIMENSIONS: mm | | CHK | Chris.Wang | 05Jan2015 | | |
| TOLERANCES UNLESS OTHERWISE SPECIFIED: | | APVD | Xiang.Xu | 05Jan2015 | | |
| 0 PLC ±- 1 PLC ±- 2 PLC ±- 3 PLC ±- 4 PLC ±- ANGLES ±- MATERIAL - FINISH - | | PRODUCT SPEC | 108-137044 | | | |
| | | APPLICATION SPEC | 114-137044 | | SIZE | A3 |
| | | WEIGHT | - | | CAGE CODE | 00779 |
| | | CUSTOMER DRAWING | | | DRAWING NO | T2040484101000 |
| | | SCALE | 1:1 | | RESTRICTED TO | - |
| | | SHEET | 1 OF 1 | | REV | C |

单击下面可查看定价，库存，交付和生命周期等信息

[>>TE Connectivity\(泰科\)](#)