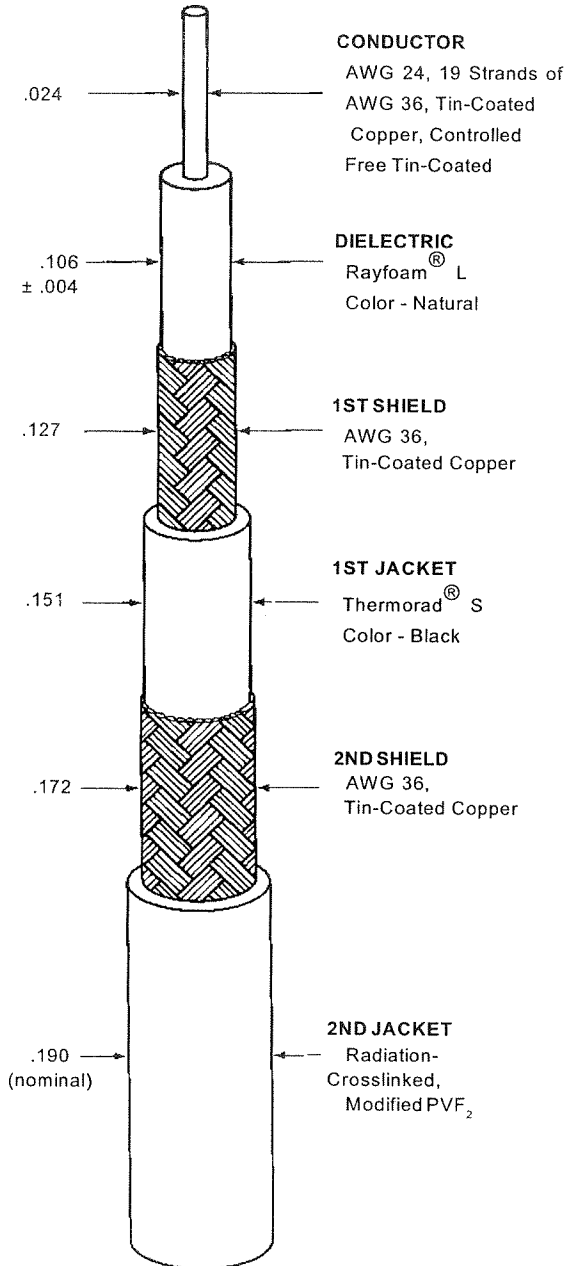


THIS SPECIFICATION SHEET FORMS A PART OF THE LATEST ISSUE OF RAYCHEM SPECIFICATION 1200.

**CONSTRUCTION DETAILS**

DIMENSIONS ARE NOMINAL VALUES IN INCHES UNLESS OTHERWISE DESIGNATED.



**ELECTRICAL CHARACTERISTICS**

CHARACTERISTIC IMPEDANCE	75 ± 3 ohms, Method B
CAPACITANCE	17.4 pF/ft. (nominal) at 1 kHz 19.0 pF/ft. (maximum) at 1 kHz
VELOCITY OF PROPAGATION	78% (nominal)

**ADDITIONAL REQUIREMENTS**

**ELECTRICAL**

CONDUCTOR RESISTANCE	25.7 ohms/1000 ft. (nominal)
INSULATION RESISTANCE (CONDUCTOR TO SHIELD)	10,000 megohms (minimum) for 1000 ft.
JACKET FLAWS	
SPARK TEST	1.0 kV (rms)
IMPULSE TEST	6.0 kV, (peak)
VOLTAGE WITHSTAND (DIELECTRIC)	
CONDUCTOR TO SHIELD	1000 volts (rms) (minimum)
SHIELD TO SHIELD	500 volts (rms) (minimum)

**ENVIRONMENTAL**

FLAMMABILITY	Method B
HEAT SHOCK	225°C
LOW TEMPERATURE- COLD BEND	-55°C/5.00 inch mandrel
VOLTAGE WITHSTAND (POST ENVIRONMENTAL)	1000 volts (rms), 1 minute

**PHYSICAL**

CONDUCTOR FREE TIN-COATING THICKNESS	40 micro inches (minimum)
INSULATION (DIELECTRIC) ELONGATION	50% (minimum)
TENSILE STRENGTH	1000 lbf/in <sup>2</sup> (minimum)
1ST JACKET ELONGATION	250% (minimum)
TENSILE STRENGTH	2000 lbf/in <sup>2</sup> (minimum)
2ND JACKET ELONGATION	200% (minimum)
TENSILE STRENGTH	4000 lbf/in <sup>2</sup> (minimum)
1ST JACKET THICKNESS	.012 inch (nominal)
2ND JACKET THICKNESS	.009 inch (nominal)
SHIELD COVERAGE (EACH)	90% (minimum)

WEIGHT	29.1 lbs/1000 ft. (nominal)
--------	-----------------------------

Outer jacket color will be white (designated by a "-9" appended to the part number, e.g. 7524D5110-9) unless otherwise specified.

Designate outer jacket color with a dash number in accordance with MIL-STD-681.

单击下面可查看定价，库存，交付和生命周期等信息

[>>TE Connectivity\(泰科\)](#)