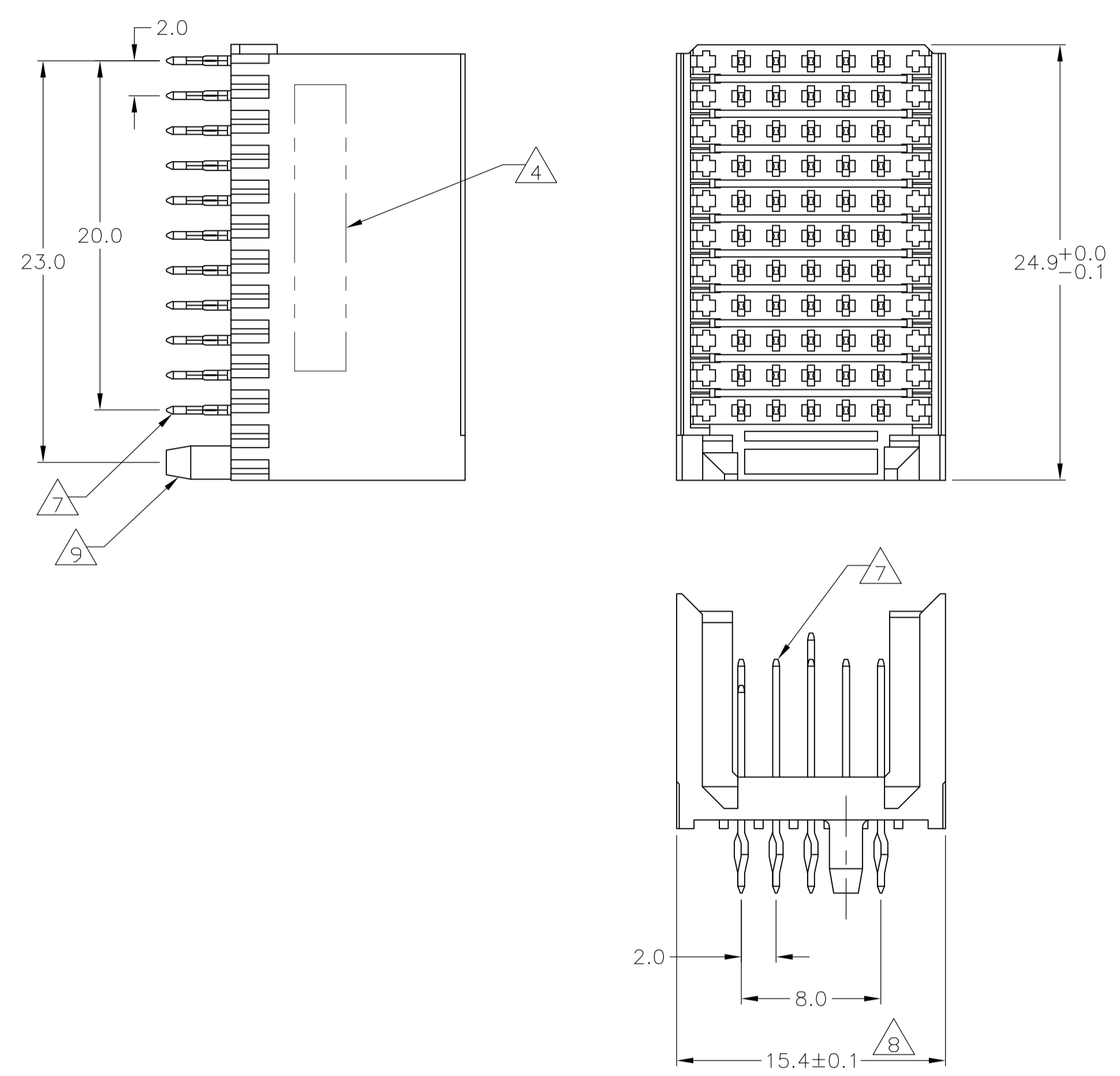
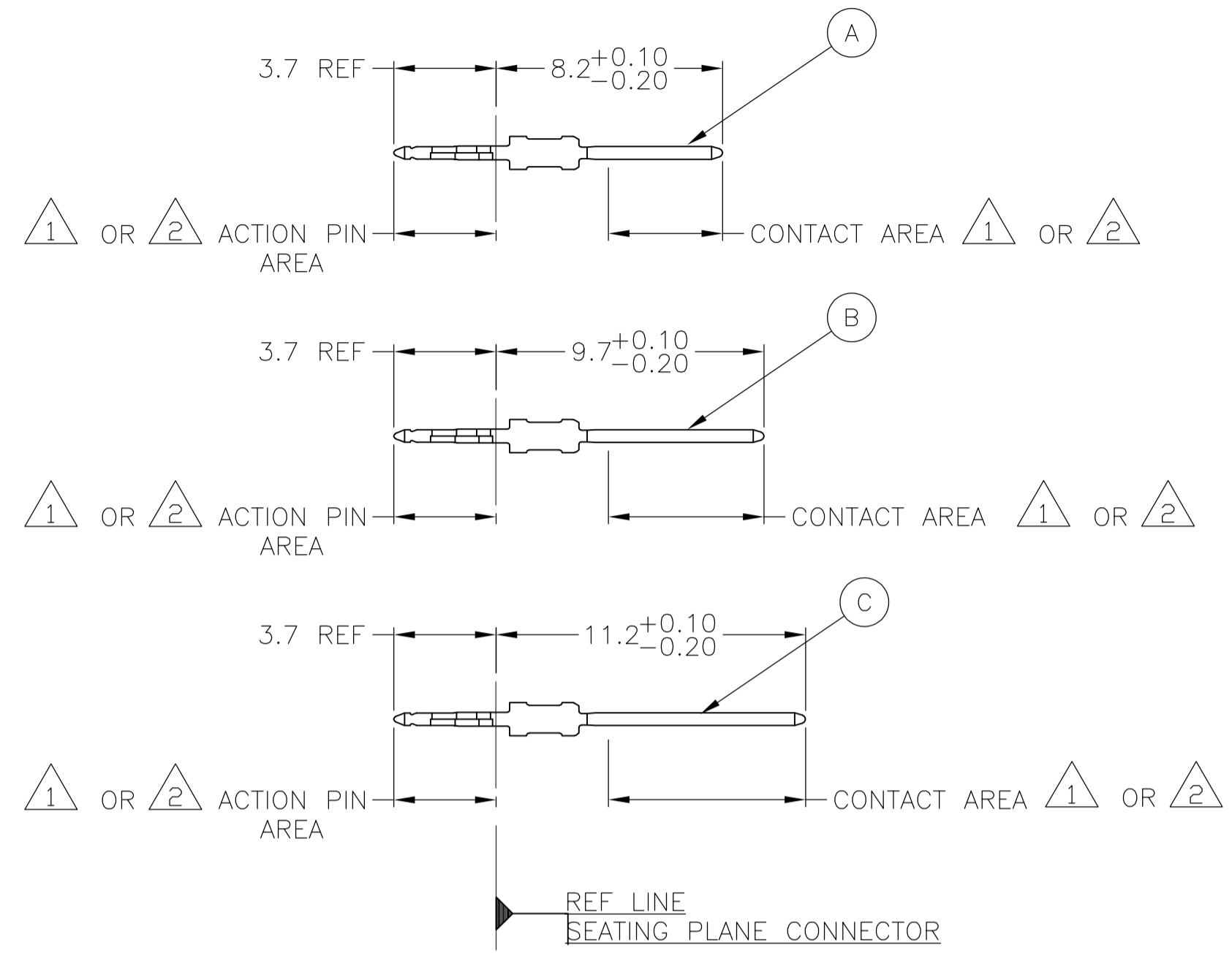


LOC		DIST		REVISIONS			
P	LTR	REV	PER	EC	DATE	DMN	APVD
		O	REV	PER	EC 0512-0091-05	24FEB05	BC GS
		A	ECR	-10-019054		15SEP10	DP MQW

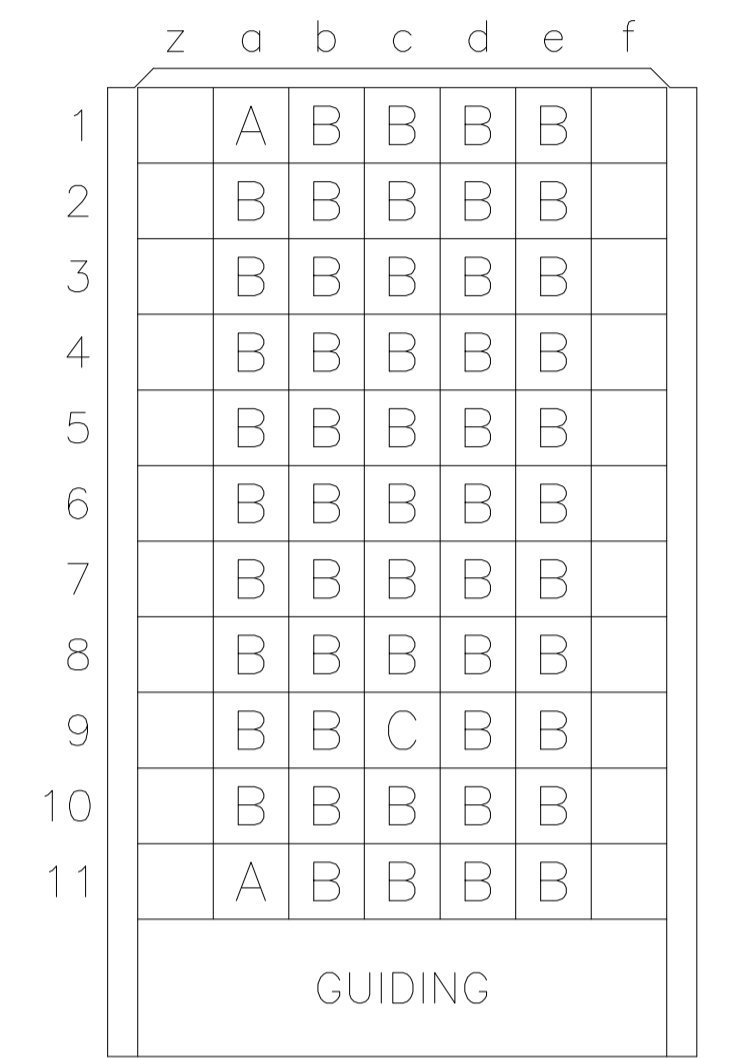
CONNECTOR ASSEMBLY EXAMPLARY LOADED



CONTACT DIMENSIONS SCALE 5:1

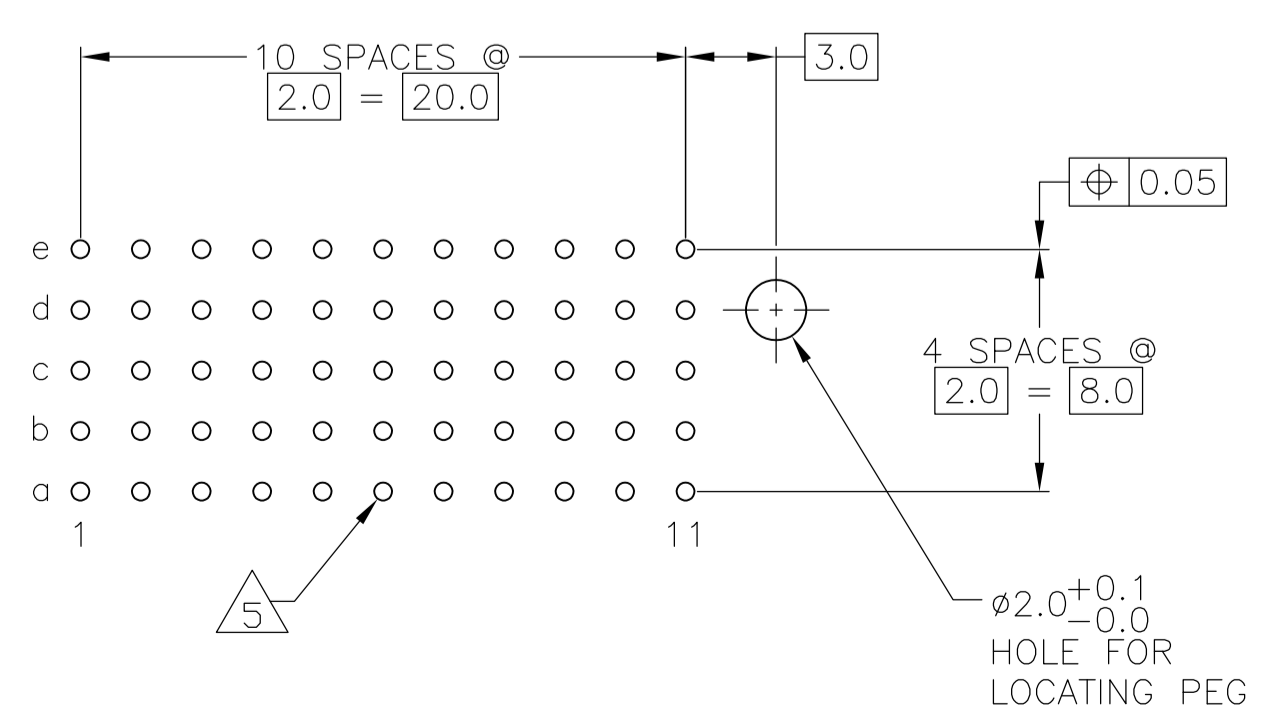


CONTACT LAYOUT



- 2 CONTACT FINISH:
CONTACT AREA: 0.8µm MIN GOLD PER ASTM B488 OVER 1.3µm MIN NICKEL PER SAE-AMS-QQ-N-290.
ACTION PIN: 0.5µm MIN TIN PER ASTM B545 OVER 1.3µm MIN NICKEL PER SAE-AMS-QQ-N-290.
- 3 MATERIAL:
CONTACT: PHOSPHOR BRONZE.
HOUSING: GLASS-FILLED POLYESTER.
- 4 CONNECTOR MARKED WITH PART NUMBER AND DATE CODE. ADDITIONAL CHARACTERS OR MARKINGS, AS WELL AS THE LOCATION OF THE MARKINGS, MAY BE ADDED FOR TRACEABILITY BASED UPON MANUFACTURERS DISCRETION.
- 5 PLATED-THROUGH HOLES AT 2x2mm SQUARE GRID PATTERN DEFINED BY CONTACT LAYOUT.
- 6 FOR ACTUAL PIN LOADING SEE "CONTACT LAYOUT".
- 7 FOR ACTUAL PIN DIMENSIONS SEE "CONTACT DIMENSIONS".
- 8 TO BE MEASURED AT BOTTOM OF SHROUD.
- 9 LOCATION PEG.

RECOMMENDED PCB-HOLE LAYOUT COMPONENT SIDE SHOWN



PLATED THRU HOLES PARAMETERS REFERENCE APPLICATION SPECIFICATION

2	6645262-1
FINISH	PART NUMBER

THIS DRAWING IS A CONTROLLED DOCUMENT.		DIN B CARDO 24FEB05		Tyco Electronics Corporation Harrisburg, Pa 17105-3608	
DIMENSIONS: mm		G.SKIPPER 24FEB05		NAME	
0-PLG ±		APVD G.SKIPPER 24FEB05		PRODUCT SPEC	
1-PLG ±0.2		108-19082		APPLICATION SPEC	
2-PLG ±0.02		114-19029		RESTRICTED TO	
3-PLG ±0.005		SIZE CAGE CODE DRAWING NO		A1 00779 C=6645262	
4-PLG ±		WEIGHT		CUSTOMER DRAWING	
ANGLES ±0.30°		SCALE 4:1		SHEET 1 OF 1	
3		SEE TABLE		REV A	

单击下面可查看定价，库存，交付和生命周期等信息

[>>TE Connectivity\(泰科\)](#)