

4

3

2

1

THIS DRAWING IS UNPUBLISHED  
 RELEASED FOR PUBLICATION  
 2015  
 © COPYRIGHT 2015 BY TE CONNECTIVITY ALL RIGHTS RESERVED.

P	LTR	DESCRIPTION	DATE	DWN	APVD
C2		REVISED PER ECO-16-003814	11MAR2016	JA	DM
D		REVISED PER ECO-16-016158	09NOV2016	DD	DM
D1		REVISED PER ECR-17-016062	31OCT2017	DD	DM
D2		REVISED PER PCN :E-18-011832	23JUL2018	DD	DM

39.60  
[1.559]

32.50  
[1.280]

KEY -A- SHOWN FOR REFERENCE ONLY

KEY ID

PROTECTIVE COVER

PLUG HOUSING

3D VIEW

COMPONENTS INCLUDED IN BAG  
SCALE 1:1

SECTION A-A

36.49  
[1.437]

PROTECTIVE COVER

SECONDARY LOCK

PLUG HOUSING

INTERFACE SEAL

CABLE SEAL

4X KEY

KEY -A-  
COLOR: GREY

4X KEY

KEY -B-  
COLOR: BLACK

2X KEY

KEY -C-  
COLOR: BROWN

### KEY ARRANGEMENTS

4 MATERIAL: PLUG HOUSING: PA46 GF10 (GREY, BLACK, BROWN)  
 SECONDARY LOCK: PA66 GF10 (BLUE)  
 INTERFACE SEAL: VMO (RED ORANGE)  
 PROTECTIVE COVER: PA66 GF15 (BLACK)

3 PLUG HOUSING, SECONDARY LOCK, AND PROTECTIVE COVER ARE SHIPPED LOOSE IN INDIVIDUAL BAG.  
 FOR INSTALLATION; SEE APPLICATION SPEC 114-151028.

2 CABLE SEAL NOT INCLUDED. SEE TABLE FOR SEAL SELECTION.

TE INTERNAL PN	DEUTSCH PN	MIN INSUL OD	MAX INSUL OD	CABLE SEAL COLOR
2289241-1	WS-25-001	8.17 [.322]	9.66 [.380]	BLUE
2289242-1	WS-32-001	9.49 [.374]	10.52 [.414]	RED
2289243-1	WS-35-001	10.59 [.417]	11.59 [.456]	GREEN

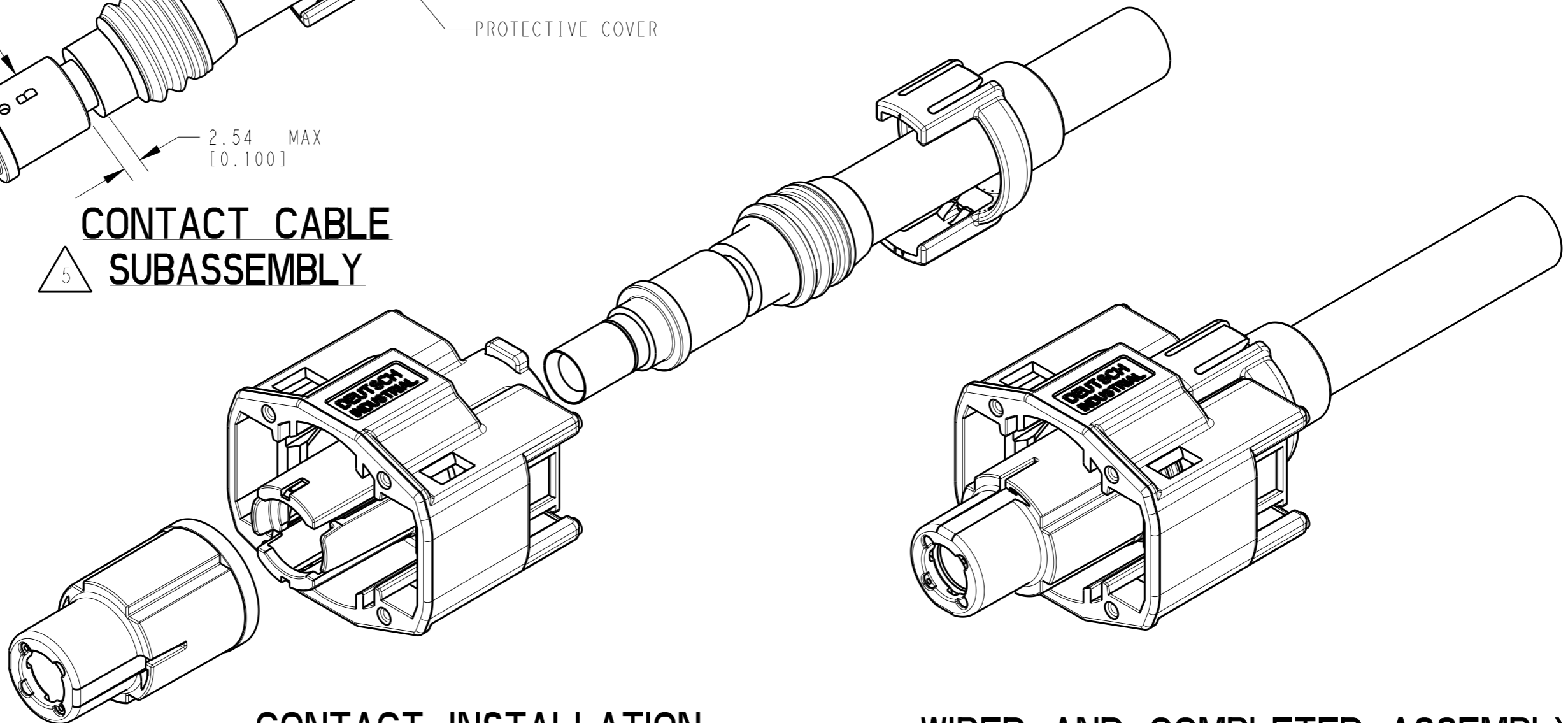
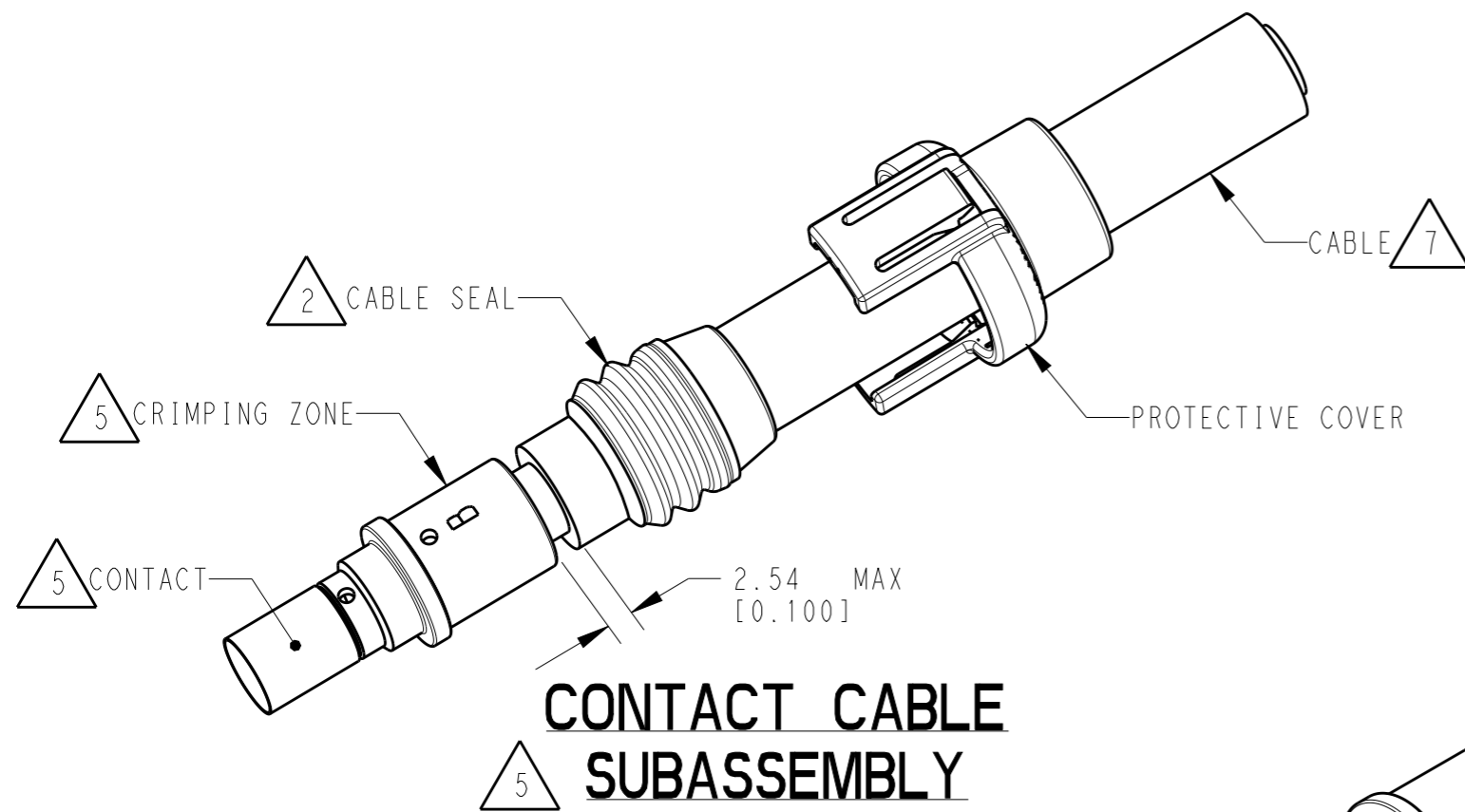
1. THIS PLUG MATES WITH DTSK04-1-08PX RECEPTACLE. (X=A,B,C KEYS)  
 NOTES:

THIS DRAWING IS A CONTROLLED DOCUMENT.		DWN 19JAN2012 ILINA GRANICHAROVA		TE Connectivity	
DIMENSIONS: mm [INCHES]		CHK 18SEP2012 ILINA GRANICHAROVA			
TOLERANCES UNLESS OTHERWISE SPECIFIED:		APVD 18SEP2012 DAVID MEYER		NAME PLUG, 8MM DTSK SERIES	
0 PLC ±		PRODUCT SPEC 108-151027		SIZE A3	
1 PLC ±		APPLICATION SPEC 114-151028		CAGE CODE 4AFU8	
2 PLC ±0.64 [.025]		WEIGHT 57.4g		DRAWING NO DTSK06-1-08SX	
3 PLC ±		CUSTOMER DRAWING		RESTRICTED TO -	
4 PLC ±				SCALE 3:2	
4 ANGLES ±0°30'0"				SHEET 1 OF 2	
MATERIAL				REV D2	
FINISH					

1470-19 (3/11)

Downloaded From [Onevac.com](http://Onevac.com)

LOC		DIST		REVISIONS			
P	LTR	DESCRIPTION	DATE	DWN	APVD		
	-	SEE SHEET 1	-	-	-		



CONTACT INSTALLATION

WIRED AND COMPLETED ASSEMBLY

- NOTES:
- 7 FOR CABLE O.D. SEE APPLICATION SPEC 114-151028.
  - 6 FOR PROTECTIVE COVER SEE 1028-047-08005.
  - 5 FOR CONTACT AND CRIMP INFORMATION SEE APPLICATION SPEC 114-151039.

THIS DRAWING IS A CONTROLLED DOCUMENT.		DWN 19JAN2012 ILINA GRANICHAROVA		TE Connectivity	
DIMENSIONS: mm[INCHES]		CHK 18SEP2012 ILINA GRANICHAROVA			
TOLERANCES UNLESS OTHERWISE SPECIFIED:		APVD 18SEP2012 DAVID MEYER		NAME PLUG, 8MM DTSK SERIES	
0 PLC ± 1 PLC ± 2 PLC ±0.64[.025] 3 PLC ± 4 PLC ± ANGLES ±0°30'0"		PRODUCT SPEC 108-151027		SIZE A3	
MATERIAL 4		FINISH		CAGE CODE 4AFU8	
		APPLICATION SPEC 114-151028		DRAWING NO DTSK06-1-08SX	
		WEIGHT 57.4g		RESTRICTED TO -	
		CUSTOMER DRAWING		SCALE 3:2 SHEET 2 OF 2 REV D2	

单击下面可查看定价，库存，交付和生命周期等信息

[>>TE Connectivity\(泰科\)](#)