

4

3

2

1

THIS DRAWING IS UNPUBLISHED.

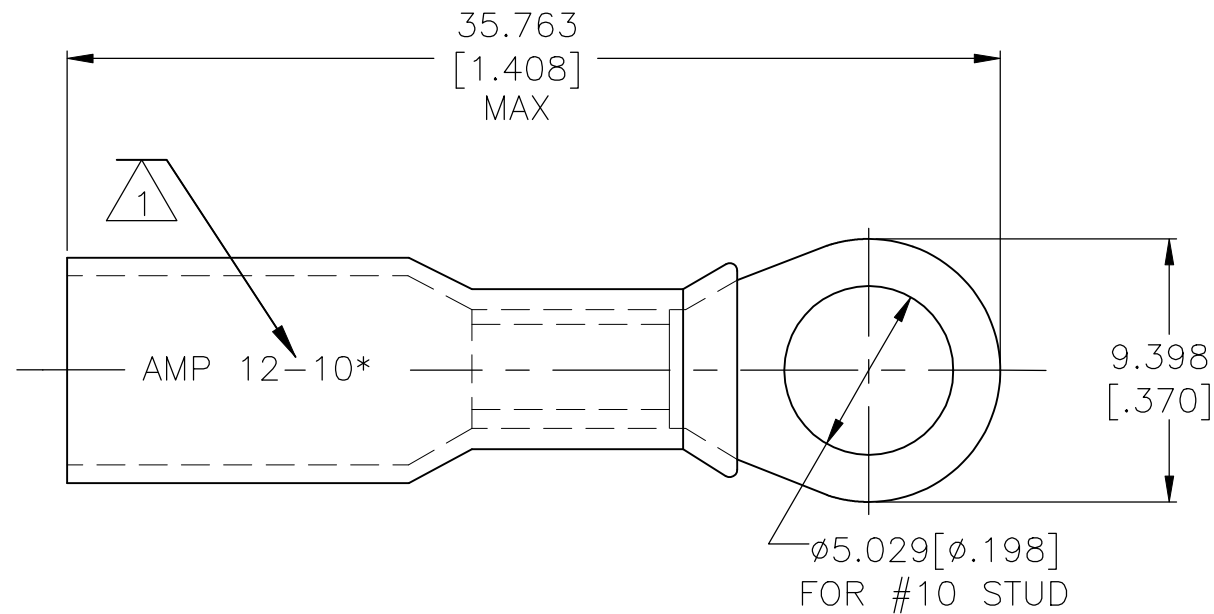
RELEASED FOR PUBLICATION

© COPYRIGHT - TE Connectivity Ltd.

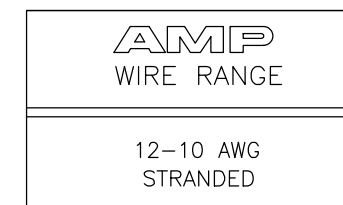
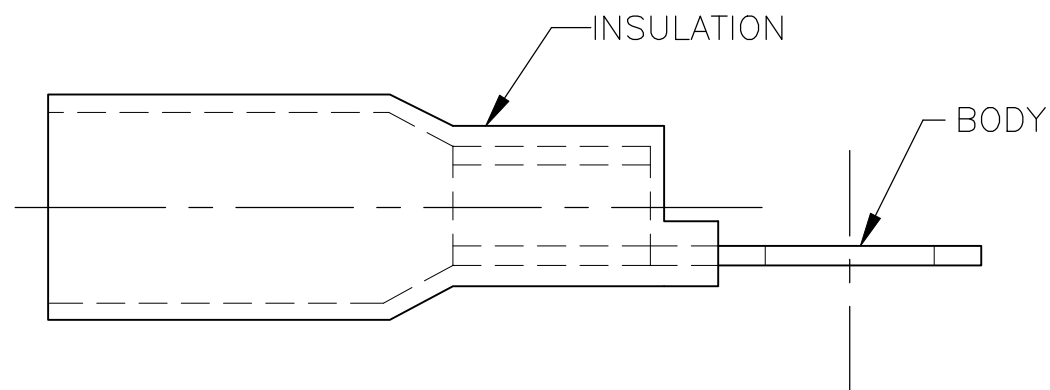
ALL RIGHTS RESERVED.

REVISIONS

P	LTR	DESCRIPTION	DATE	DWN	APVD
	E	REVISED PER ECR-09-027352	17FEB10	JR	TM
	E1	REVISED PER ECO-17-016703	04APR2018	RS	DR



- 1 STAMP AMP 12-10* APPROX AS SHOWN
- 2 WIRE INSULATION $\phi 6.096[\phi.240]$ MAX
- 3 BODY MATERIAL THK IS $1.016 \pm 0.051[.040 \pm .002]$
- 4 NOTE DELETED



25	LOOSE PIECE	8-55857-3
500	LOOSE PIECE	55857-1
QTY	PACKAGE TYPE	PART NO

AMP INCORPORATED
CUSTOMER SERVICE SYSTEMS

MAX RECOMMENDED OPERATING TEMPERATURE:
125°C[257°F] MAX

THIS DRAWING IS A CONTROLLED DOCUMENT.

DWN	S S GOULDEN	6/93
CHK	R HERSEY	6/93
APVD	B BARE	6/93



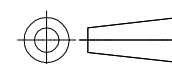
FOR ADDITIONAL PRODUCT INFORMATION OR COPIES OF DRAWINGS AND TECHNICAL DOCUMENTS

PRODUCT INFORMATION CENTER
1-800-522-6752

VOLTAGE RATING:
600V MAX (BUILDING WIRING)
1000V MAX (FIXTURES & SIGNS)

DIMENSIONS:
mm [INCHES]

TOLERANCES UNLESS OTHERWISE SPECIFIED:



0 PLC	± -
1 PLC	± -
2 PLC	± -
3 PLC	± 0.127[.005]
4 PLC ANGLES	± - ± -

PRODUCT SPEC

NAME
TERMINAL, RING TONGUE, SEALABLE
HEAT SHRINKABLE
12-10 AWG

FOR APPLICATION TOOLING INFORMATION

TOOLING ASSISTANCE CENTER
1-800-722-1111

CIRCULAR MIL AREA:
2.62-6.64² [5180-13100]
STRANDED

MATERIAL
BODY: ETP COPPER
INSULATION: POLYOLEFIN

FINISH
BODY: EDP TIN PLATED
INSULATION:
COLOR-YELLOW

APPLICATION SPEC

408-4022

SIZE	CAGE CODE	DRAWING NO	RESTRICTED TO
A3	00779	C-55857	-

FOR ORDER ENTRY
1-800-526-5142

THIS DRAWING IS A CONTROLLED DOCUMENT FOR AMP INCORPORATED. IT IS SUBJECT TO CHANGE AND THE CONTROLLING ENGINEERING ORGANIZATION SHOULD BE CONTACTED FOR THE LATEST REVISION.

WEIGHT
CUSTOMER DRAWING

SCALE	NTS	SHEET	1 OF 1	REV	E1
-------	-----	-------	--------	-----	----

单击下面可查看定价，库存，交付和生命周期等信息

[>>TE Connectivity\(泰科\)](#)