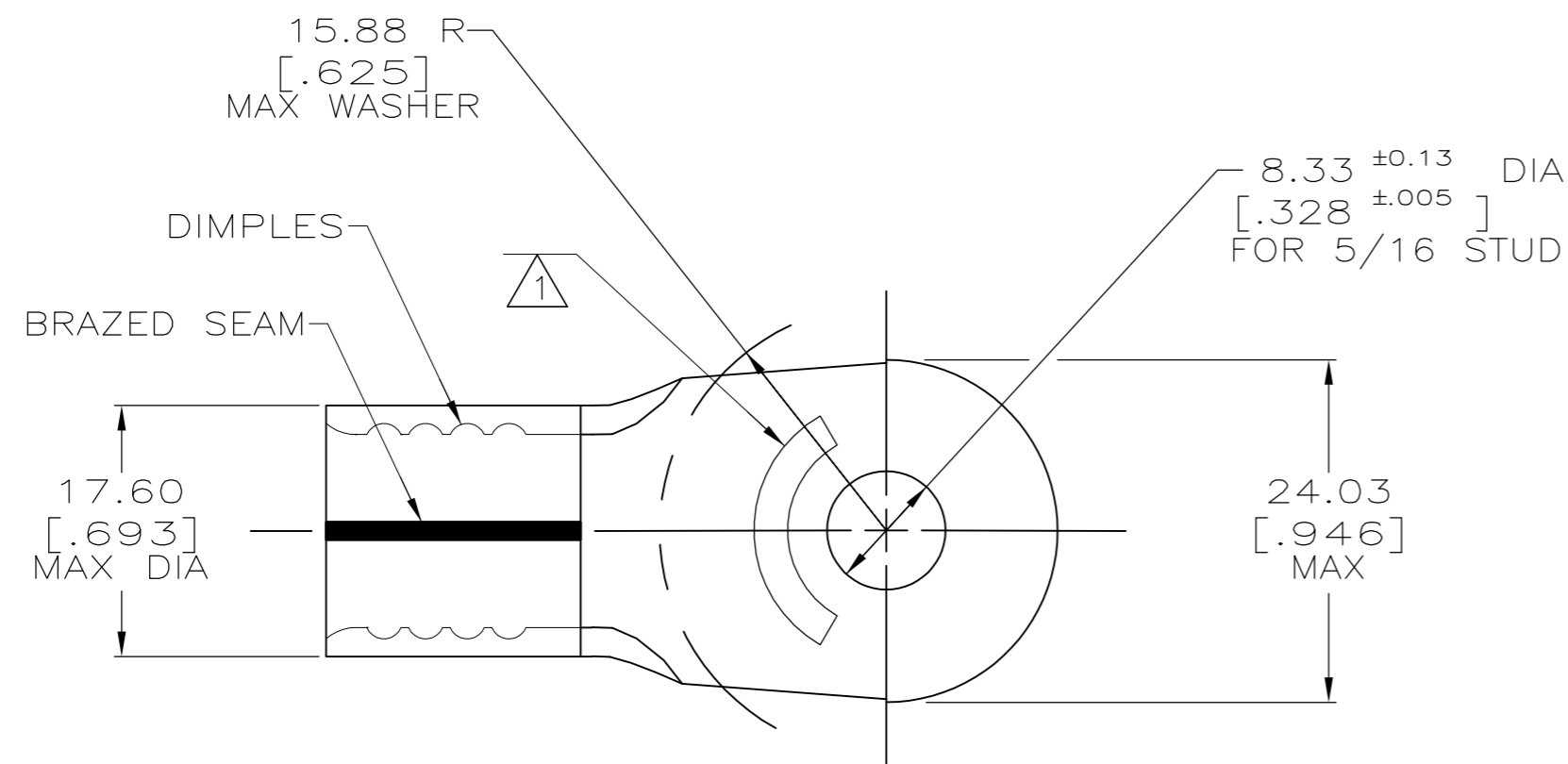


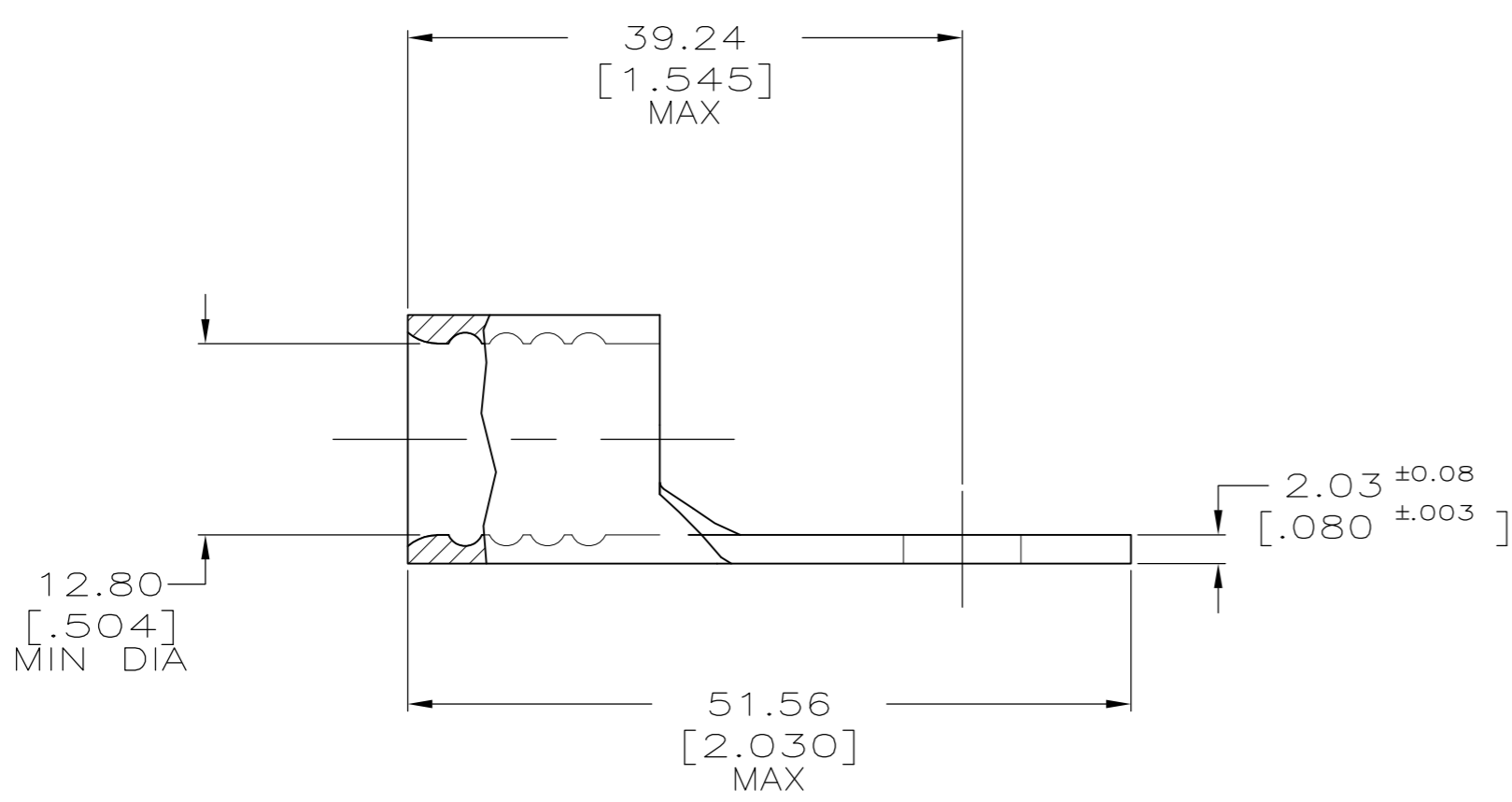
THIS DRAWING IS UNPUBLISHED. RELEASED FOR PUBLICATION
 © COPYRIGHT BY TYCO ELECTRONICS CORPORATION. ALL INTERNATIONAL RIGHTS RESERVED.

LOC	DIST	REVISIONS			
P	LTR	DESCRIPTION	DATE	DWN	APVD
G	14	L	REV PER ECR 10-000722	22JAN10	JR TM



AMP WIRE RANGE	Listed FILE E13288	LR7189 Certified
2/0 AWG SOLID OR STRANDED	2/0 AWG STRANDED	2/0 AWG SOLID OR STRANDED

- ① STAMP AMP 2/0W* APPROX AS SHOWN
- ② TIN PLATE 0.00254[.000100] MIN THK EXT PER ASTM B-545



50	LOOSE PIECE	36922
QTY	PACKAGING TYPE.	PART NO.

AMP INCORPORATED CUSTOMER SERVICE SYSTEMS		MAX RECOMMENDED OPERATING TEMPERATURE: 170° MAX		THIS DRAWING IS A CONTROLLED DOCUMENT.		DWN DK SCHRUM 1/14/94 CHK AJ KAUFMAN 1/19/94 APVD JL MECKLEY 1/19/94		Tyco Electronics Corporation Harrisburg, PA 17105-3608	
		FOR ADDITIONAL PRODUCT INFORMATION OR COPIES OF DRAWINGS AND TECHNICAL DOCUMENTS 1-800-522-6752	PRODUCT INFORMATION CENTER 1-800-522-6752	VOLTAGE RATING: N/A	DIMENSIONS: MM [INCHES]	TOLERANCES UNLESS OTHERWISE SPECIFIED: 0 PLC ± - 1 PLC ± - 2 PLC ± 0.20[.008] 3 PLC ± - 4 PLC ± - ANGLES ± -	PRODUCT SPEC APPLICATION SPEC	NAME: TERMINAL, RING TONGUE, SOLISTRAND	
FOR APPLICATION TOOLING ASSISTANCE CENTER 1-800-722-1111	TOOLING ASSISTANCE CENTER 1-800-722-1111	CIRCULAR MIL AREA: 60.6-76.3mm²[119,500-150,500] SOLID OR STRANDED	MATERIAL: COPPER PER ASTM B-152 ANNEALED	FINISH: ②				WEIGHT: -	SIZE: A2 CAGE CODE: 00779 DRAWING NO: C-36922
FOR ORDER ENTRY 1-800-526-5142	THIS DRAWING IS A CONTROLLED DOCUMENT FOR AMP INCORPORATED. IT IS SUBJECT TO CHANGE AND THE CONTROLLING ENGINEERING ORGANIZATION SHOULD BE CONTACTED FOR THE LATEST REVISION.		CUSTOMER DRAWING		SCALE: 2:1	SHEET 1 of 1	REV L		

单击下面可查看定价，库存，交付和生命周期等信息

[>>TE Connectivity\(泰科\)](#)