

4

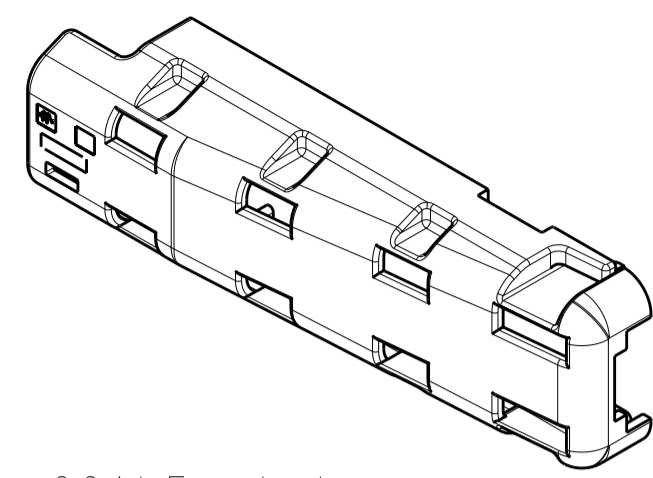
3

2

1

THIS DRAWING IS UNPUBLISHED. RELEASED FOR PUBLICATION 20  
 © COPYRIGHT 20 BY TYCO ELECTRONICS CORPORATION. ALL RIGHTS RESERVED.

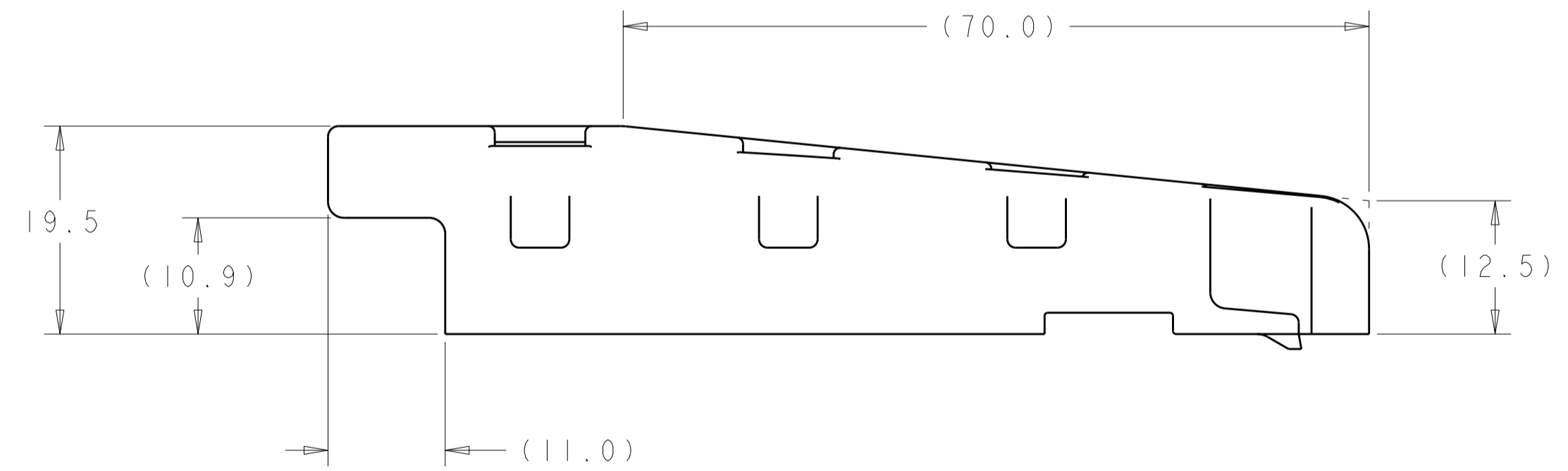
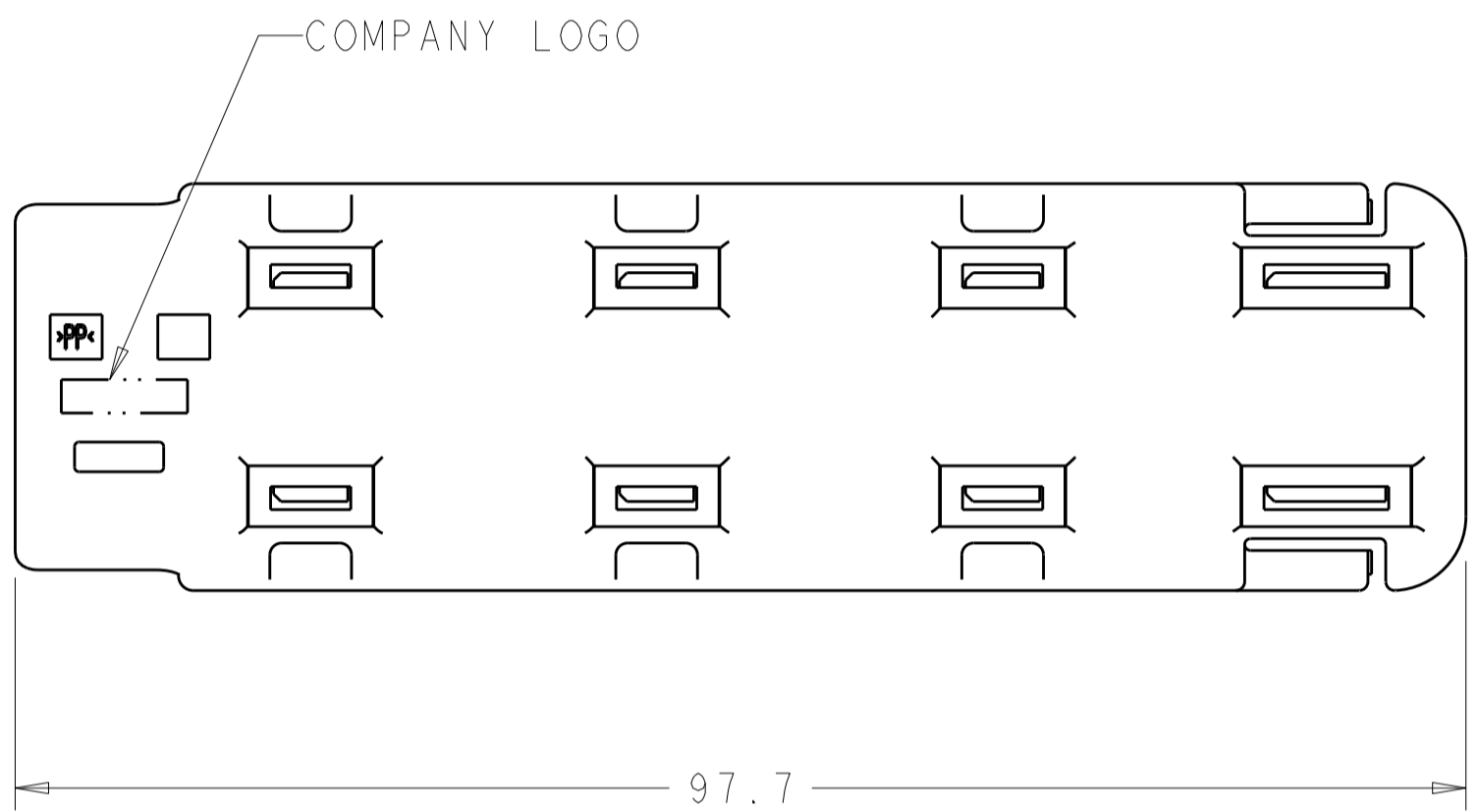
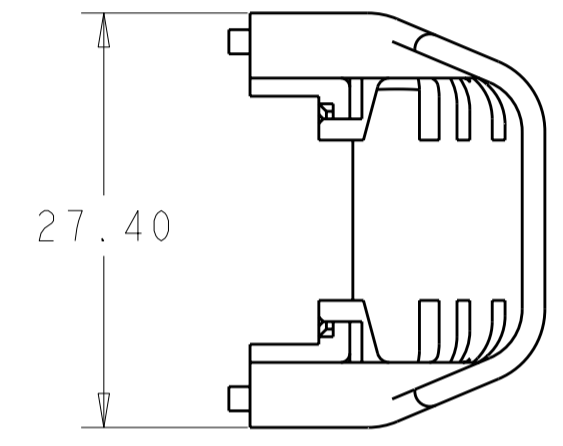
LOC	DIST	REVISIONS			
P	LTR	DESCRIPTION	DATE	DWN	APVD
FX	00				
	C	REVISED PER ECR 05-014247	02DEC2005	DLD	AJV
	CI	REV PER ECR-10-009878	06MAY2010	VSS	GM



SCALE 1:1

△ MATERIAL: POLYPROPYLENE  
 COLOR: SEE TABLE

2. MAXIMUM WIRE BUNDLE DIAMETER IS 13mm.



BLACK	638622-2
NATURAL	638622-1
COLOR	PART NUMBER

<small>THIS DRAWING IS A CONTROLLED DOCUMENT FOR TYCO ELECTRONICS CORPORATION          IT IS SUBJECT TO CHANGE AND THE CONTROLLING ENGINEERING ORGANIZATION          SHOULD BE CONTACTED FOR THE LATEST REVISION.</small>		DWN V.M. KANE 28JUN2000 CHK V.M. KANE 20AUG2001 APVD V.M. KANE 20AUG2001	<b>Tyco Electronics</b> Tyco Electronics Harrisburg, PA 17105-3608
DIMENSIONS: mm 	TOLERANCES UNLESS OTHERWISE SPECIFIED: 0 PLC ±- 1 PLC ±0.4 2 PLC ±0.20 3 PLC ±- 4 PLC ±- ANGLES ±- FINISH	PRODUCT SPEC - APPLICATION SPEC - WEIGHT -	NAME WIRE GUARD, 60 WAY AIRBAG, GET CONNECTOR SIZE A2 CAGE CODE 00779 C=638622 DRAWING NO 638622 RESTRICTED TO -
MATERIAL △		CUSTOMER DRAWING SCALE 2:1 SHEET 1 OF 1 REV C1	

638622

单击下面可查看定价，库存，交付和生命周期等信息

[>>TE Connectivity\(泰科\)](#)